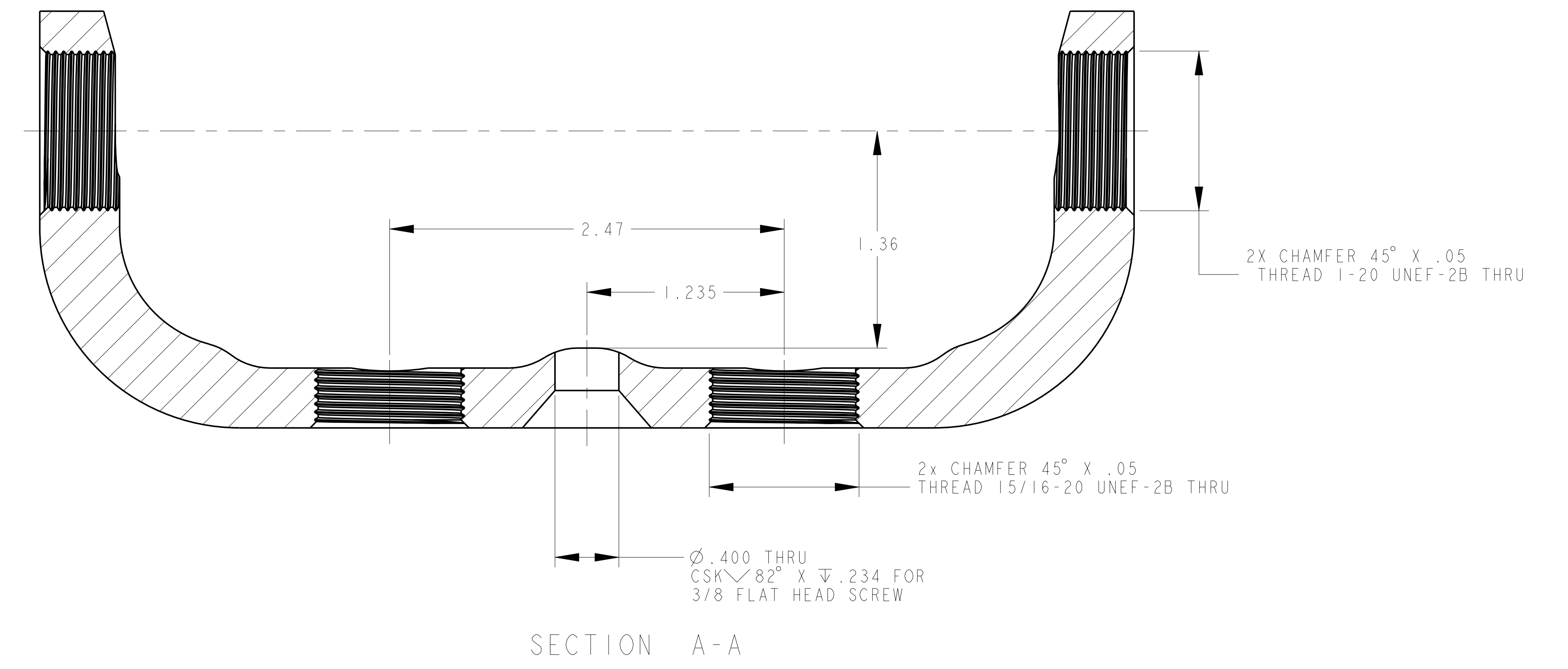
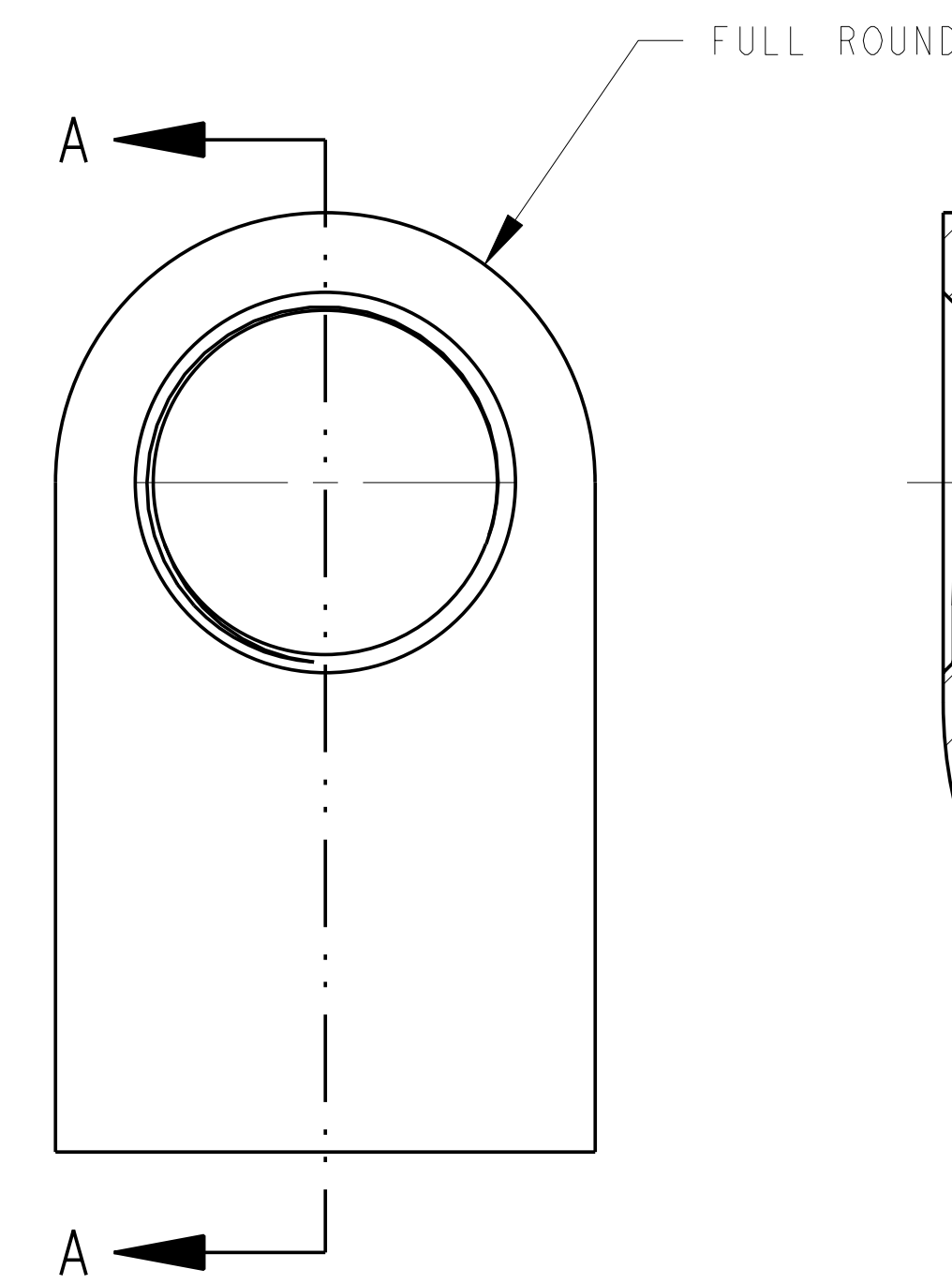
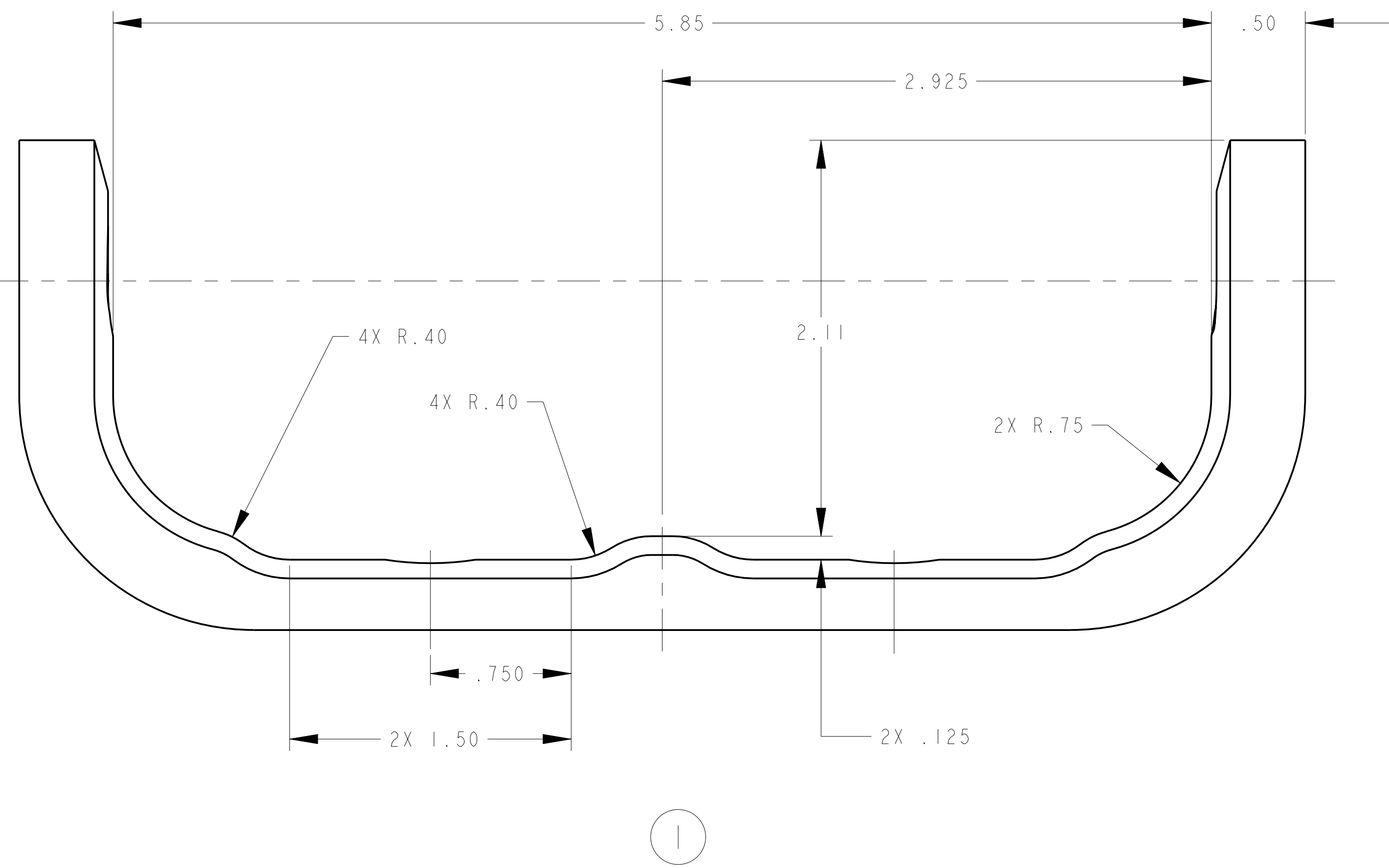
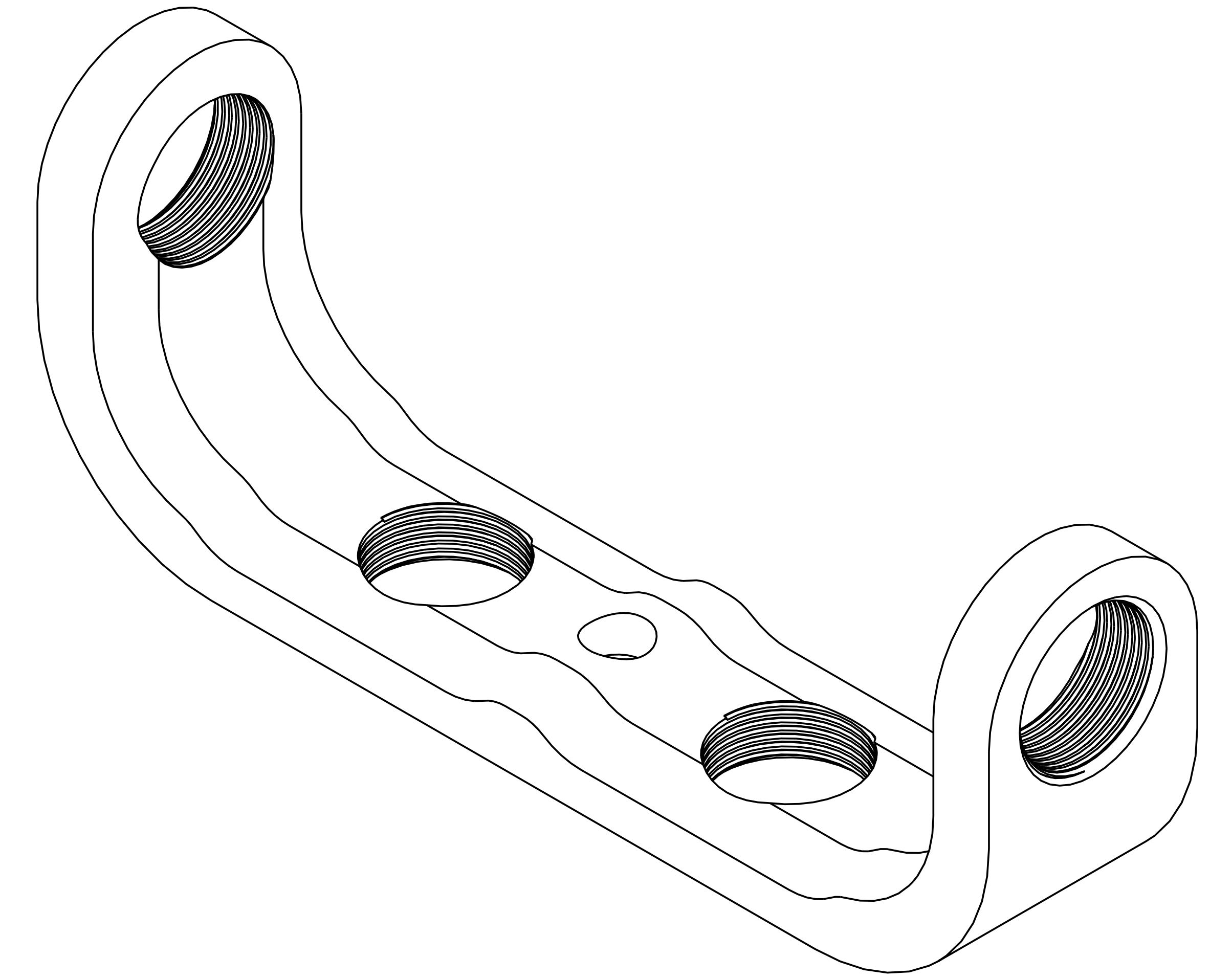
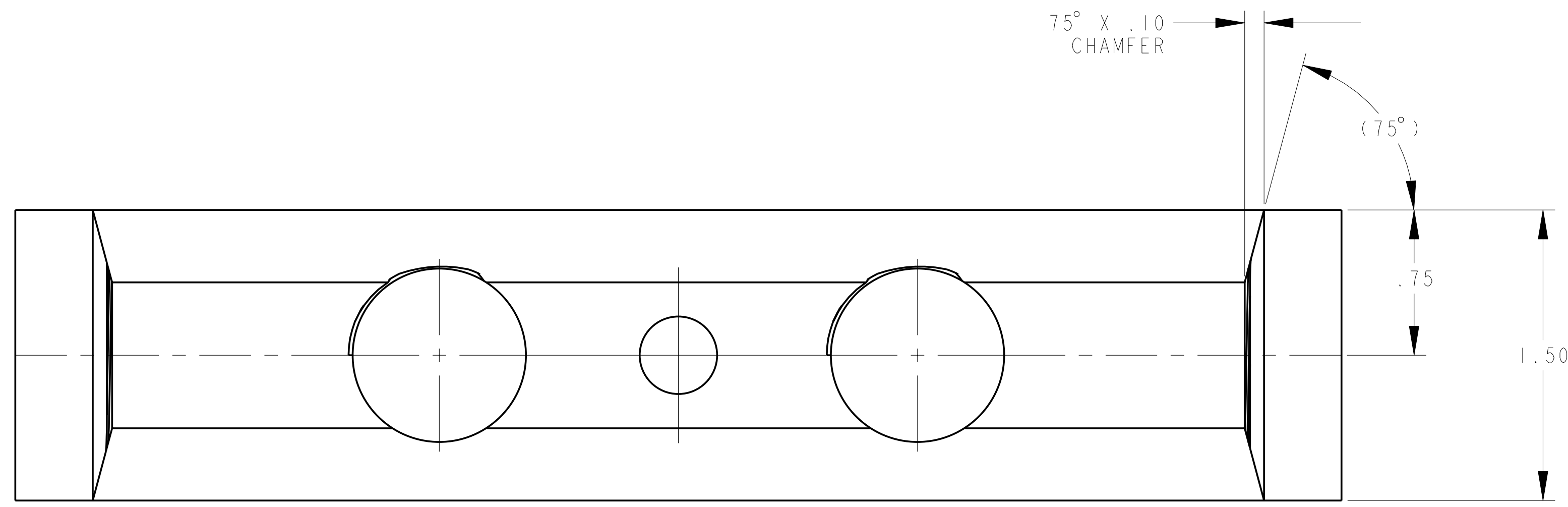


- NOTES:
 1. INTERPRET DIMENSIONS AND TOLERANCES PER ANSI Y14.5M
 2. DIMENSIONS ARE IN INCHES
 3. DIMENSIONS APPLY AT ROOM TEMPERATURE. OPERATING TEMP 80 K
 4. GEOMETRY IS DEFINED IN PRO ENGINEER CAD MODELS/FILES
 5. DRAWING AND MODELS COMBINED DEFINE FINISHED MACHINED PART



RELEASED FOR FABRICATION / INSTALLATION

CAGE CODE	PART OR IDENTIFYING NO	NOMENCLATURE OR DESCRIPTION	MATERIAL	SPECIFICATION	FIND NO
SE1405-254P	BAR, CLAMP, HORIZONTAL	316L SS	--	--	--
PARTS LIST					

										SCALE 2	DES PAUL MILLER 4-12-04	UT-BATTELLE NATIONAL COMPACT STELLARATOR EXPERIMENT	Oak Ridge National Laboratory managed for the DEPARTMENT OF ENERGY under U.S. GOVERNMENT contract DE-AC05-00OR22725 UT-BATTELLE, LLC, Oak Ridge, Tennessee PROJECT NAME						
										TOLERANCES UNLESS OTHERWISE SPECIFIED	CHK : SECT : DEPT : PE : CR : PJ : RD :			4-14-04					
										FRACTIONS ± .01	PPPL DRFT	VERSION NO. 3	PLANT X-10	BLDG 5700	FL 3	SHT 1	TYPE I	CLASS S	
										XX DECIMALS ± .005									
										XXX DECIMALS ± .0015									
										ANGLES ± 0°15'									
										BREAK SHARP EDGES 06 MAX									
										FINISH ±.005 UNLESS OTHERWISE SPECIFIED									
REV	DESCRIPTION	BY	DATE	CHK	DEPT	DATE	PE	REQ	DATE	DRNL	DOE	DATE					RELEASE LEVEL	REV	
														WIP	SE1405-254P	0			

NO REPRESENTATION OR WARRANTY, EXPRESSED OR IMPLIED, IS MADE AS TO THE ACCURACY, COMPLETENESS OR USEFULNESS OF THE INFORMATION OR STATEMENTS CONTAINED IN THESE DRAWINGS, OR THAT THE USE OR DISCLOSURE OF ANY INFORMATION, APPARATUS, METHOD OR PROCESS DISCLOSED IN THESE DRAWINGS MAY NOT INFRINGE PRIVATE RIGHTS OF OTHERS. NO LIABILITY IS ASSUMED WITH RESPECT TO THE USE OF, OR FOR DAMAGES RESULTING FROM THE USE OF, ANY INFORMATION, APPARATUS, METHOD OR PROCESS DISCLOSED IN THESE DRAWINGS. DRAWINGS MADE AVAILABLE FOR INFORMATION TO BIDDER ARE NOT TO BE USED FOR OTHER PURPOSES, AND ARE TO BE RETURNED UPON REQUEST OF THE FORWARDING CONTRACTOR.

P THIS DRAWING PRODUCED ON PRO-ENGINEER

H
G
F
E
D
C
B
A