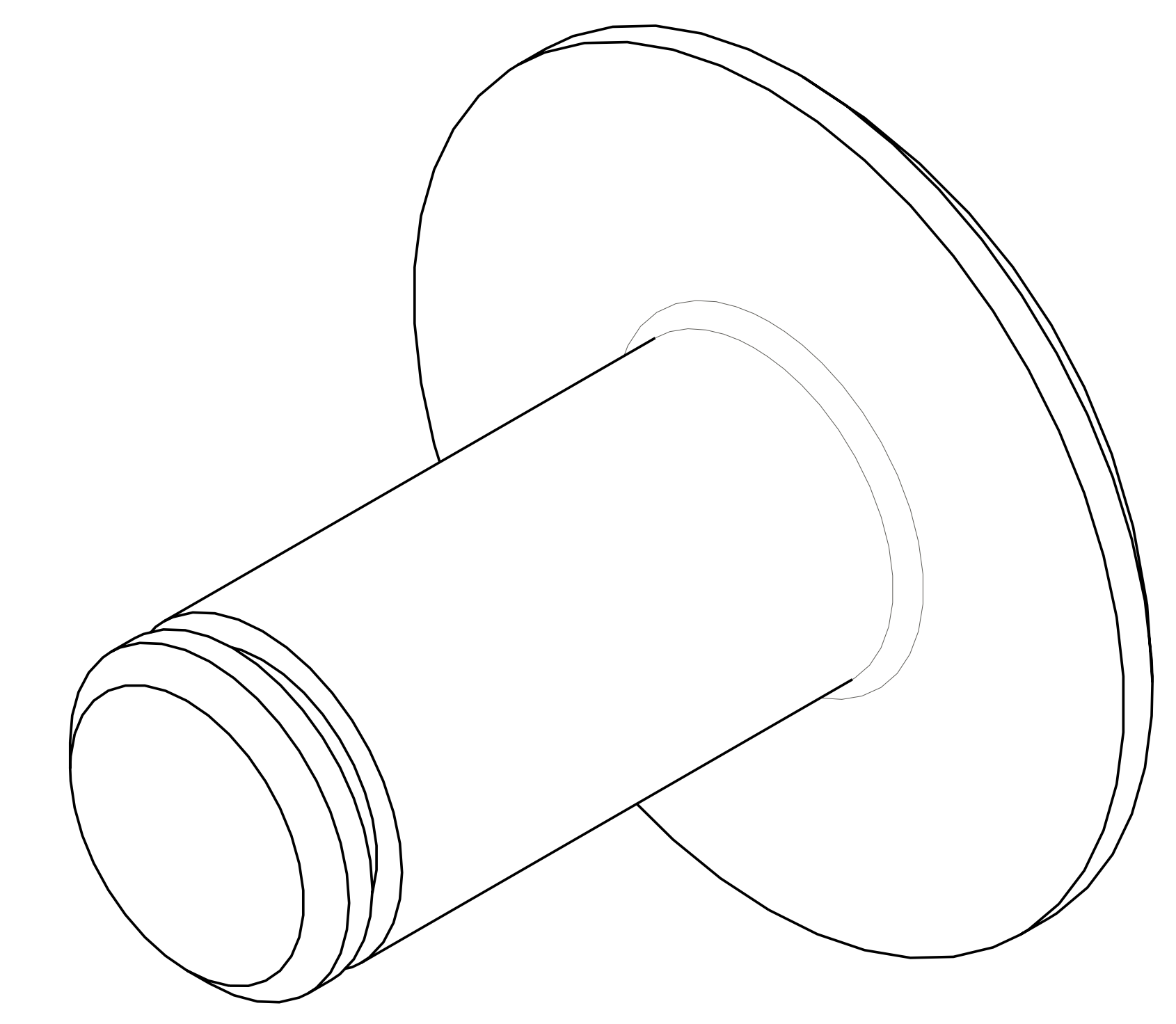
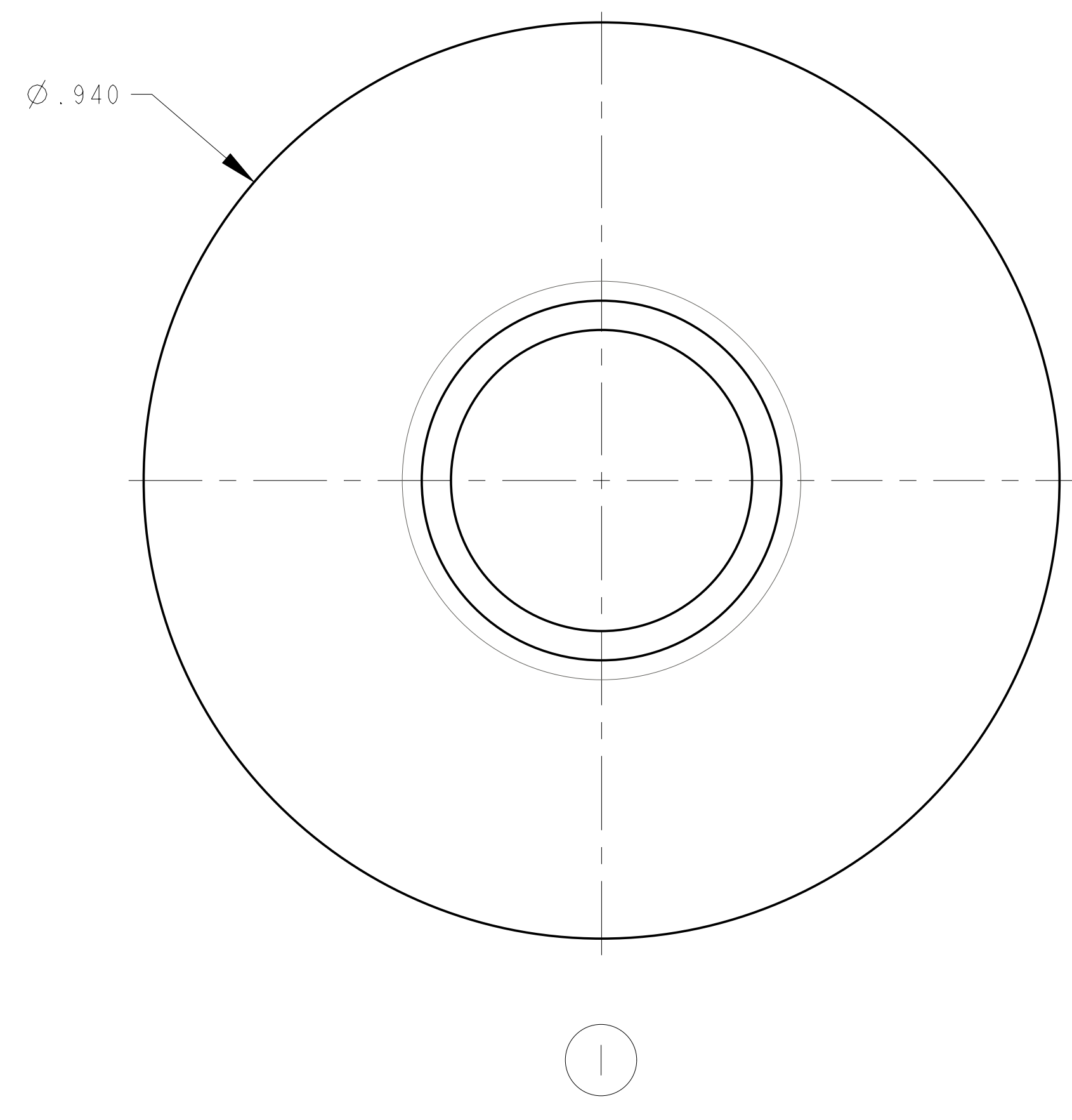
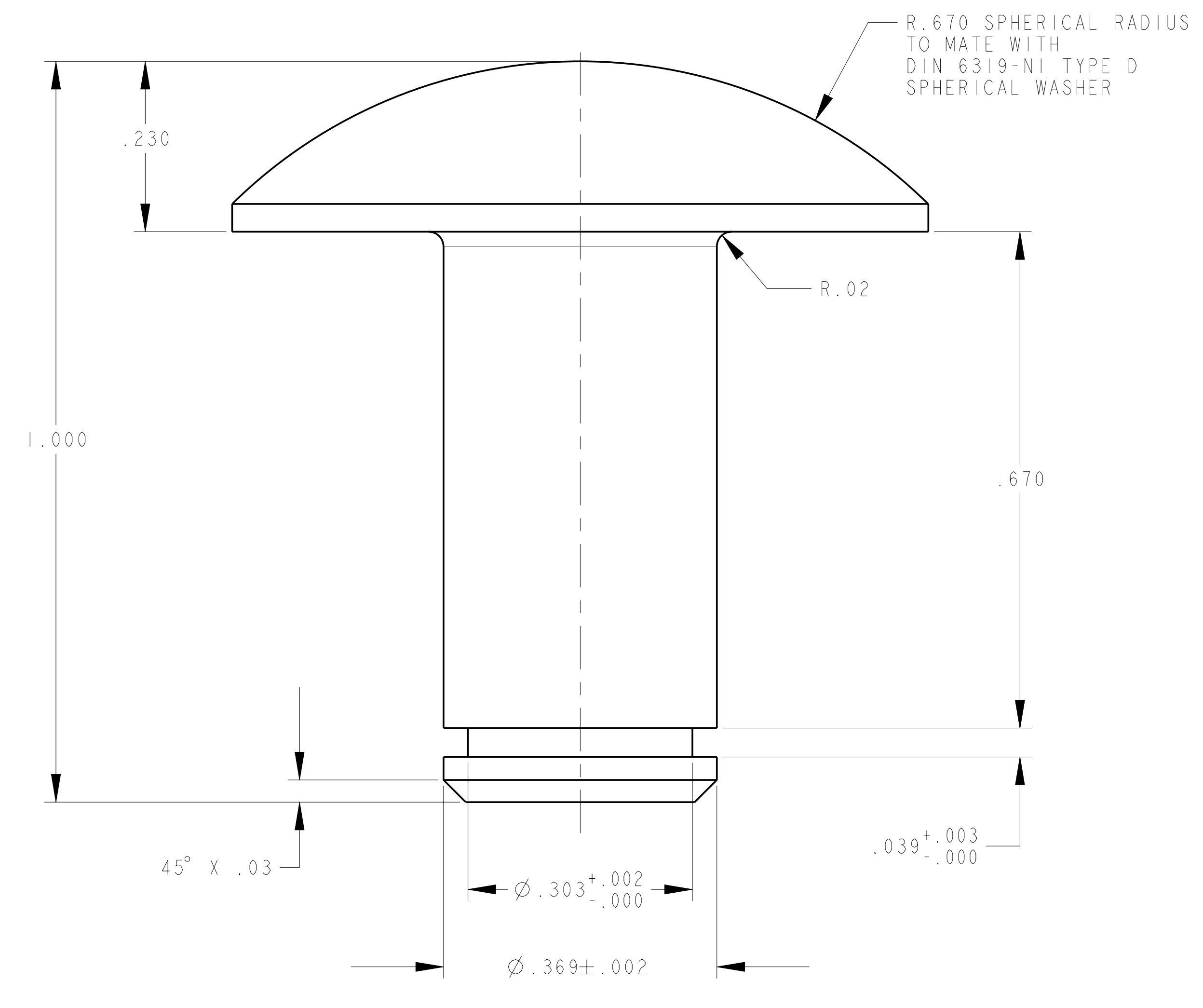


- NOTES:
1. INTERPRET DIMENSIONS AND TOLERANCES PER ANSI Y14.5M
  2. DIMENSIONS ARE IN INCHES
  3. DIMENSIONS APPLY AT ROOM TEMPERATURE. OPERATING TEMP 80 K
  4. GEOMETRY IS DEFINED IN PRO ENGINEER CAD MODELS/FILES
  5. DRAWING AND MODELS COMBINED DEFINE FINISHED MACHINED PART



**RELEASED FOR  
FABRICATION / INSTALLATION**

AR	SEI405-256P	RIVET, SPECIAL BUTTON HEAD	A286 SUPERALLOY	--	1
SEI405-250	CAGE CODE	PART OR IDENTIFYING NO	NOMENCLATURE OR DESCRIPTION	MATERIAL	FIND NO
	← NEXT ASSEMBLY	PARTS LIST			

NO REPRESENTATION OR WARRANTY, EXPRESSED OR IMPLIED, IS MADE AS TO THE ACCURACY, COMPLETENESS OR USEFULNESS OF THE INFORMATION OR STATEMENTS CONTAINED IN THESE DRAWINGS, OR THAT THE USE OR DISCLOSURE OF ANY INFORMATION, APPARATUS, METHOD OR PROCESS DISCLOSED IN THESE DRAWINGS MAY NOT INFRINGE PRIVATE RIGHTS OF OTHERS. NO LIABILITY IS ASSUMED WITH RESPECT TO THE USE OF, OR FOR DAMAGES RESULTING FROM THE USE OF, ANY INFORMATION, APPARATUS, METHOD OR PROCESS DISCLOSED IN THESE DRAWINGS. DRAWINGS MADE AVAILABLE FOR INFORMATION TO BIDDER ARE NOT TO BE USED FOR OTHER PURPOSES, AND ARE TO BE RETURNED UPON REQUEST OF THE FORWARDING CONTRACTOR.

**P** THIS DRAWING PRODUCED ON PRO-ENGINEER

REV	DESCRIPTION	BY	DATE	CHK	DEPT	DATE	PE	REQ	DATE	DRNL	DOE	DATE
	REVISION OR ISSUE PURPOSE											

SCALE	8	DES	PAUL MILLER	4-12-04	Oak Ridge National Laboratory managed for the DEPARTMENT OF ENERGY under U.S. GOVERNMENT contract DE-AC05-00OR22725 UT-BATTELLE, LLC, Oak Ridge, Tennessee							
TOLERANCES UNLESS OTHERWISE SPECIFIED		DRW	PAUL MILLER	4-14-04	<b>UT-BATTELLE</b> PROJECT NAME: NATIONAL COMPACT STELLARATOR EXPERIMENT							
FRACTIONS		CHK			RIVET, SPECIAL BUTTON HEAD							
XX DECIMALS	± .01	SECT			PPPL DRFT							
XXX DECIMALS	± .005	DEPT			VERSION NO.	PLANT	BLDG	FL	SHT OF	TYPE	CLASS	
ANGLES	± 0°15'	PE			3	X-10	5700	3	1	1	S	
BREAK SHARP EDGES	06 MAX	CR			RELEASE LEVEL	SEI405-256P						
FINISH	±.05 UNLESS OTHERWISE SPECIFIED	PJ			Fabrication							
		REQ			DRAWING APPROVALS							
		DOE			DATE							

H G F E D C B A