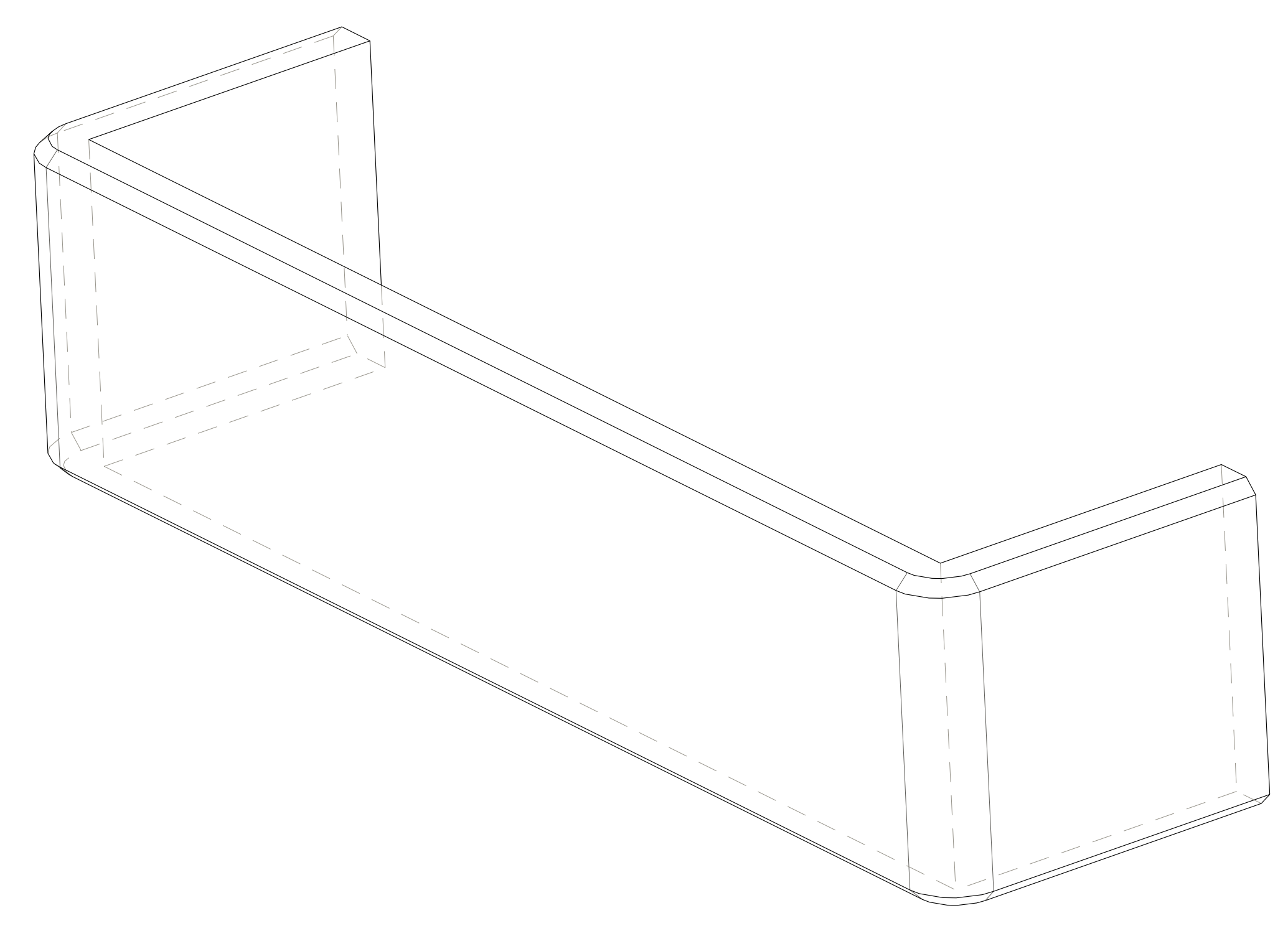
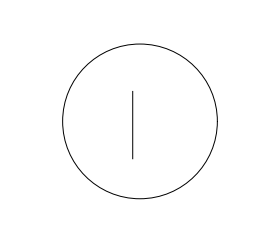
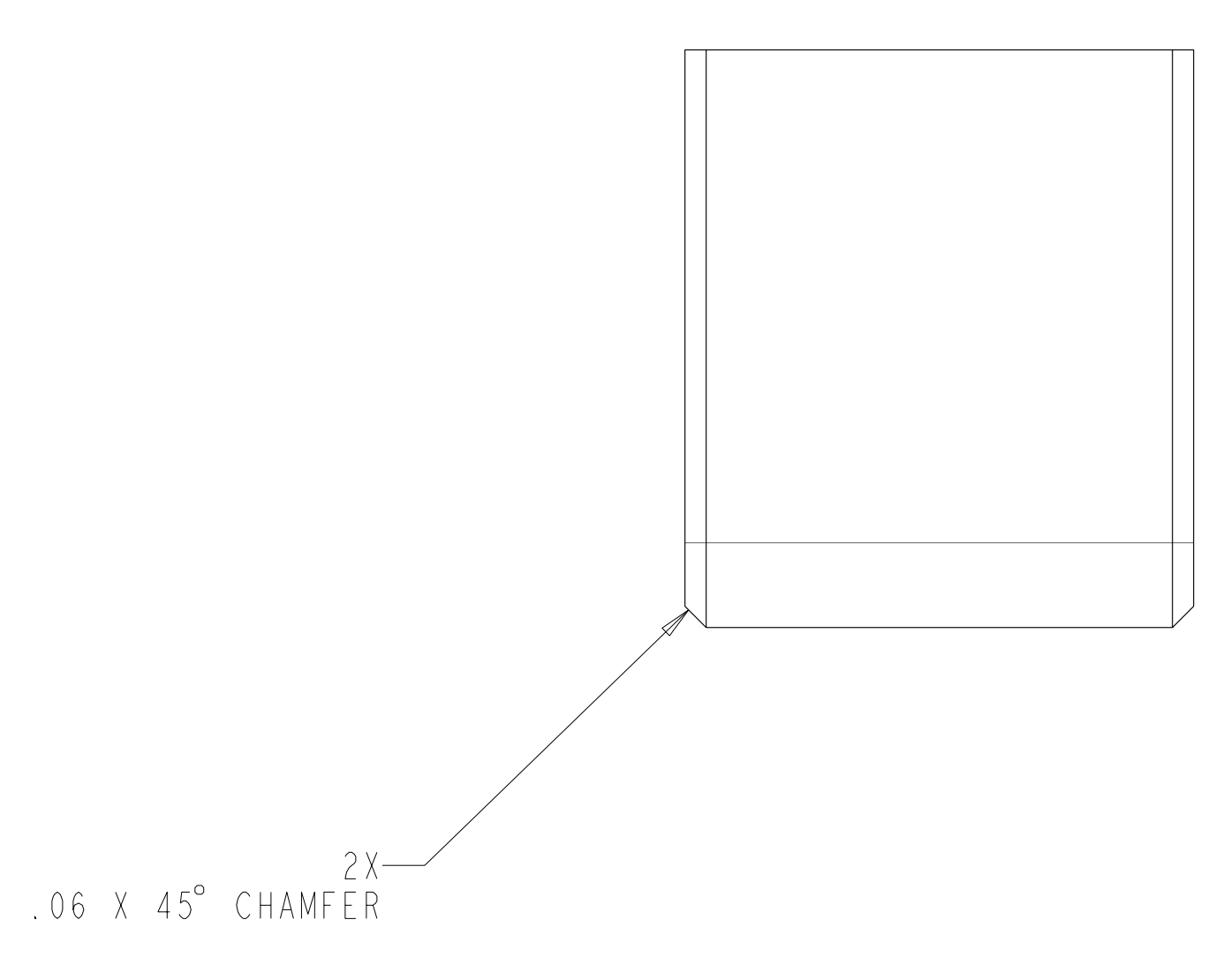
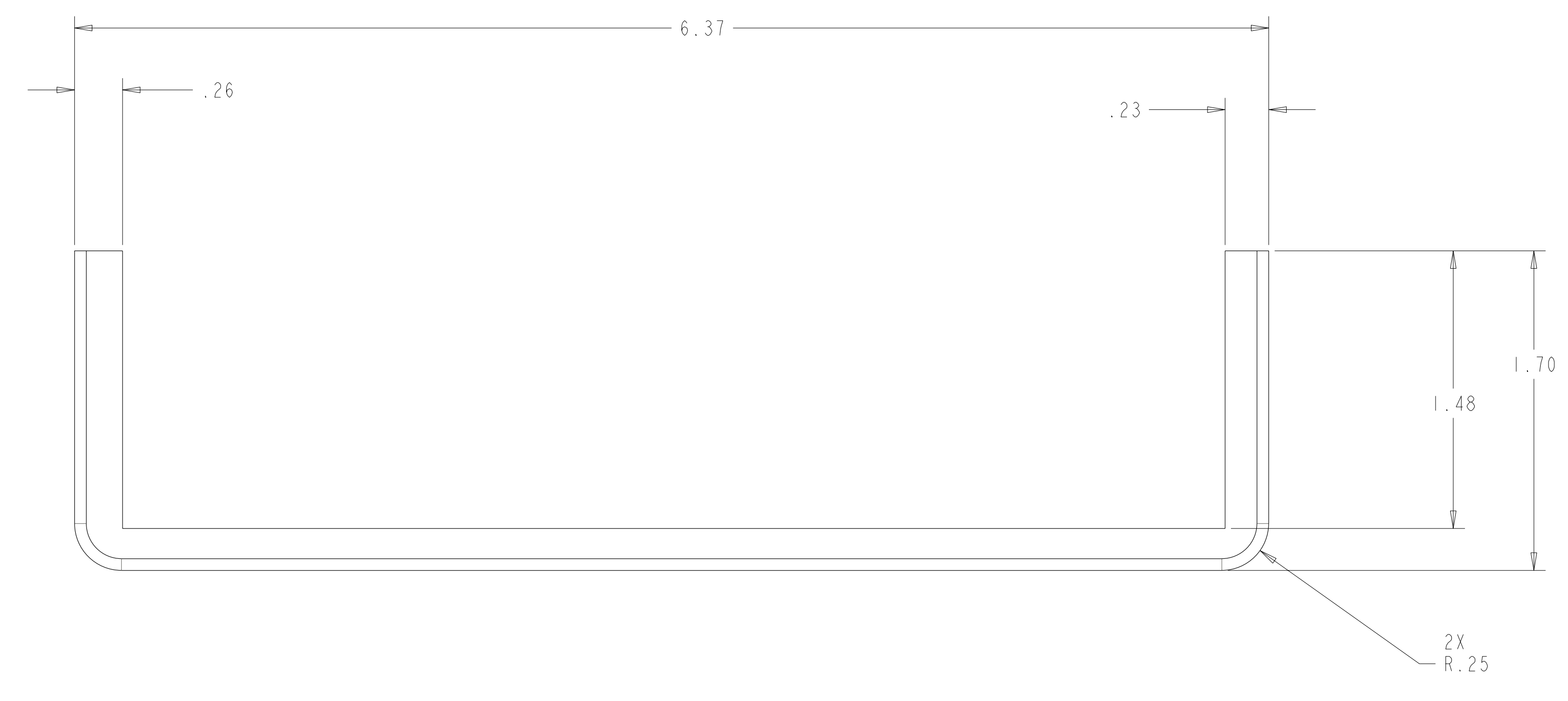


- NOTES:
1. INTERPRET DIMENSIONS AND TOLERANCES PER ANSI Y14.5M
 2. DIMENSIONS ARE IN INCHES
 3. DIMENSIONS APPLY AT ROOM TEMPERATURE. OPERATING TEMP 80 K.
 4. GEOMETRY IS DEFINED IN PRO ENGINEER CAD MODELS/FILES SE1406-022.PRT
 5. DRAWING AND MODELS COMBINED DEFINE FINISHED MACHINED PART.



ISOMETRIC VIEW



**RELEASED FOR
 FABRICATION / INSTALLATION**
 PPPL Drafting:

next assy	AR	-1	FILL BLOCK 2	G10		I
SE1406-010	CAGE CODE	PART OR IDENTIFYING NO	NOMENCLATURE OR DESCRIPTION	MATERIAL	SPECIFICATION	FIND NO
			NEXT ASSEMBLY	PARTS LIST		

NO REPRESENTATION OR WARRANTY, EXPRESSED OR IMPLIED, IS MADE AS TO THE ACCURACY, COMPLETENESS OR USEFULNESS OF THE INFORMATION OR STATEMENTS CONTAINED IN THESE DRAWINGS, OR THAT THE USE OR DISCLOSURE OF ANY INFORMATION, APPARATUS, METHOD OR PROCESS DISCLOSED IN THESE DRAWINGS MAY NOT INFRINGE PRIVATE RIGHTS OF OTHERS. NO LIABILITY IS ASSUMED WITH RESPECT TO THE USE OF, OR FOR DAMAGES RESULTING FROM THE USE OF, ANY INFORMATION, APPARATUS, METHOD OR PROCESS DISCLOSED IN THESE DRAWINGS. DRAWINGS MADE AVAILABLE FOR INFORMATION TO BIDDER ARE NOT TO BE USED FOR OTHER PURPOSES, AND ARE TO BE RETURNED UPON REQUEST OF THE FORWARDING CONTRACTOR.

P THIS DRAWING PRODUCED ON PRO-ENGINEER

SCALE 2:1	DES: PJ FOGARTY 8-10-04	UT-BATTELLE		Oak Ridge National Laboratory managed for the DEPARTMENT OF ENERGY under U.S. GOVERNMENT contract DE-AC05-00OR22725 UT-BATTELLE, LLC. Oak Ridge, Tennessee								
TOLERANCES UNLESS OTHERWISE SPECIFIED	DRW: G LOVETT 8-10-04	NATIONAL COMPACT STELLARATOR EXPERIMENT		TRC FILL BLOCK 2								
FRACTIONS	CHK: :	PPPL DRFT J STIEGLE 11-04		VERSION NO. 3	PLANT X-10	BLDG 5700	FL 3	SHT 1	OF 1	TYPE U	CLASS U	
XX DECIMALS ±.01	SECT: :	PPPL DRFT J STIEGLE 11-04		RELEASE LEVEL Fabrication	SE1406-022					REV 0		
XXX DECIMALS ±.005	DEPT: :	PPPL DRFT J STIEGLE 11-04		DRAWING APPROVALS		DATE						
ANGLES ±0°15'	PE: D WILLIAMSON 11-04											
BREAK SHARP EDGES .06 MAX	CR: :											
FINISH .125 UNLESS OTHERWISE SPECIFIED	PJ: :											
REV	DESCRIPTION	BY	DATE	CHK	DEPT	DATE	PE	REQ	DATE	ORNL	DOE	DATE
	REVISION OR ISSUE PURPOSE											

SE1406-022