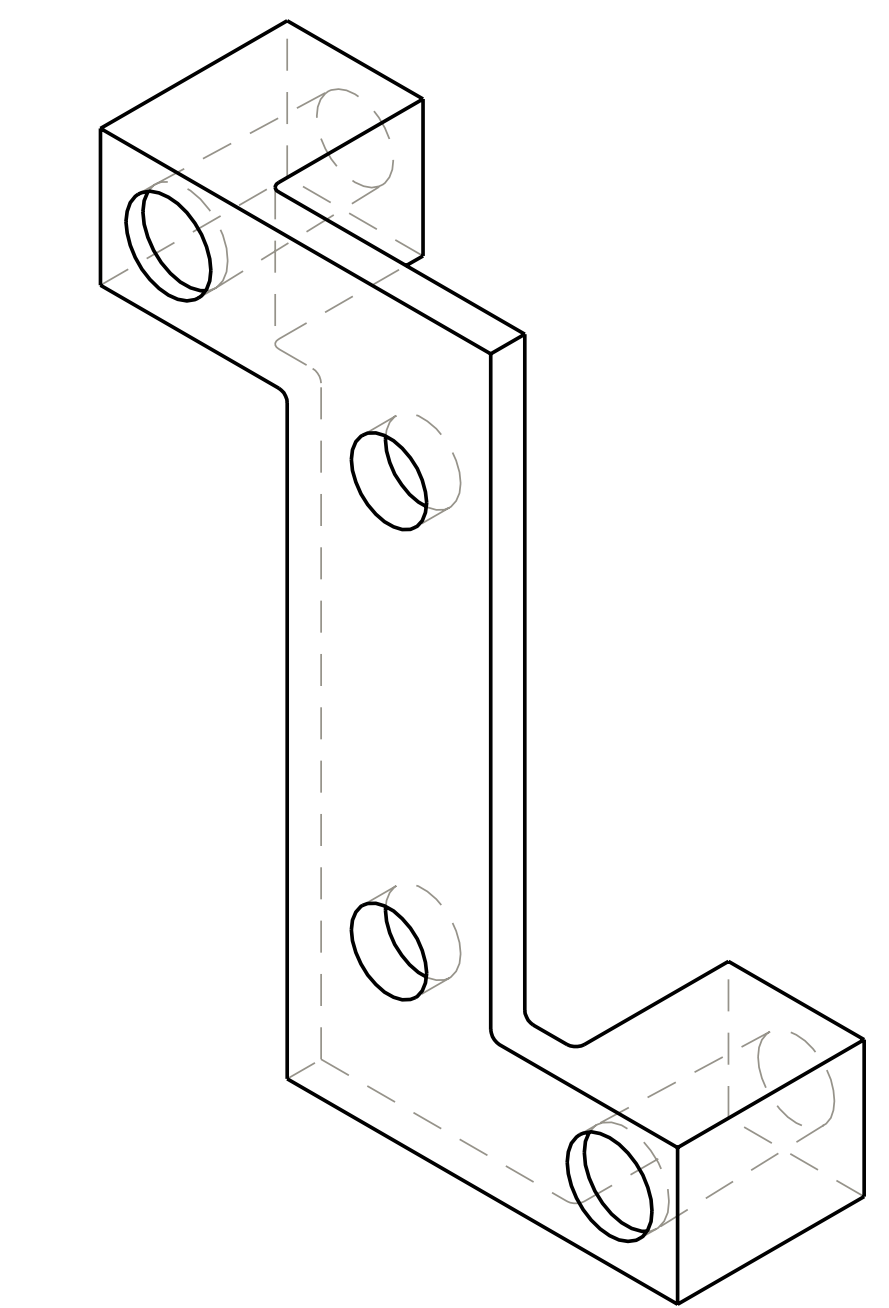
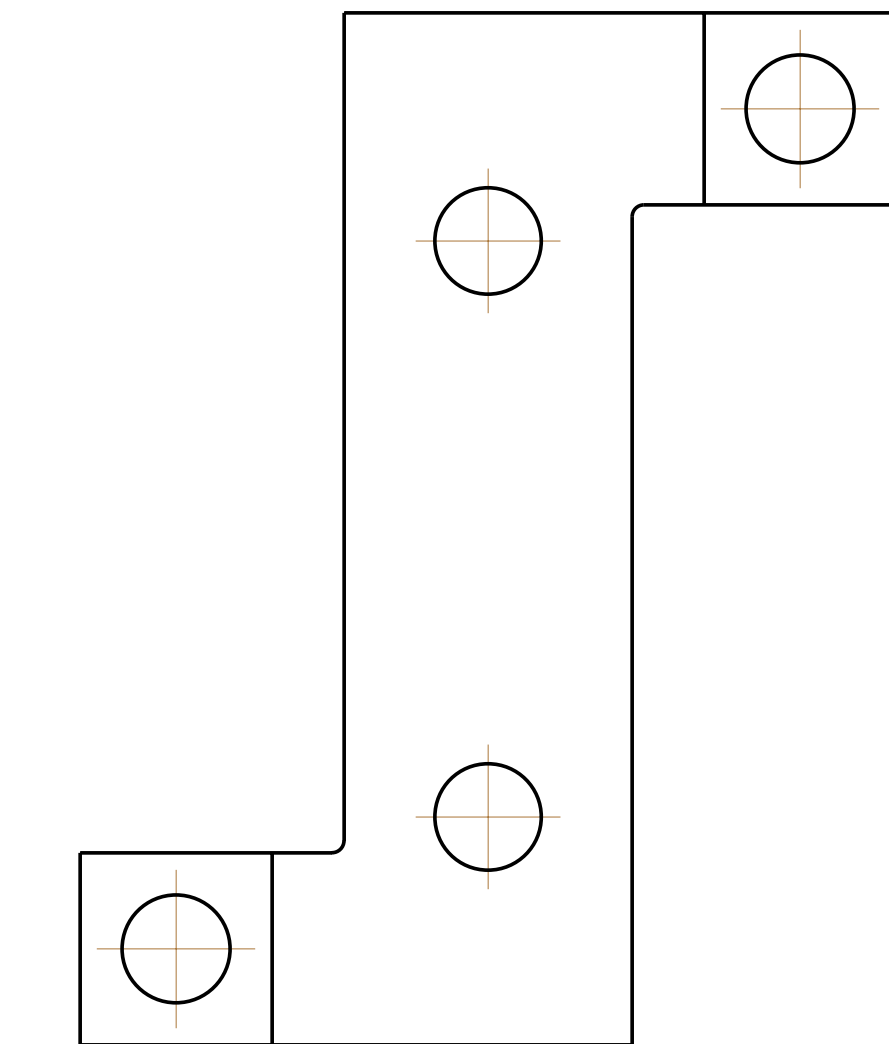
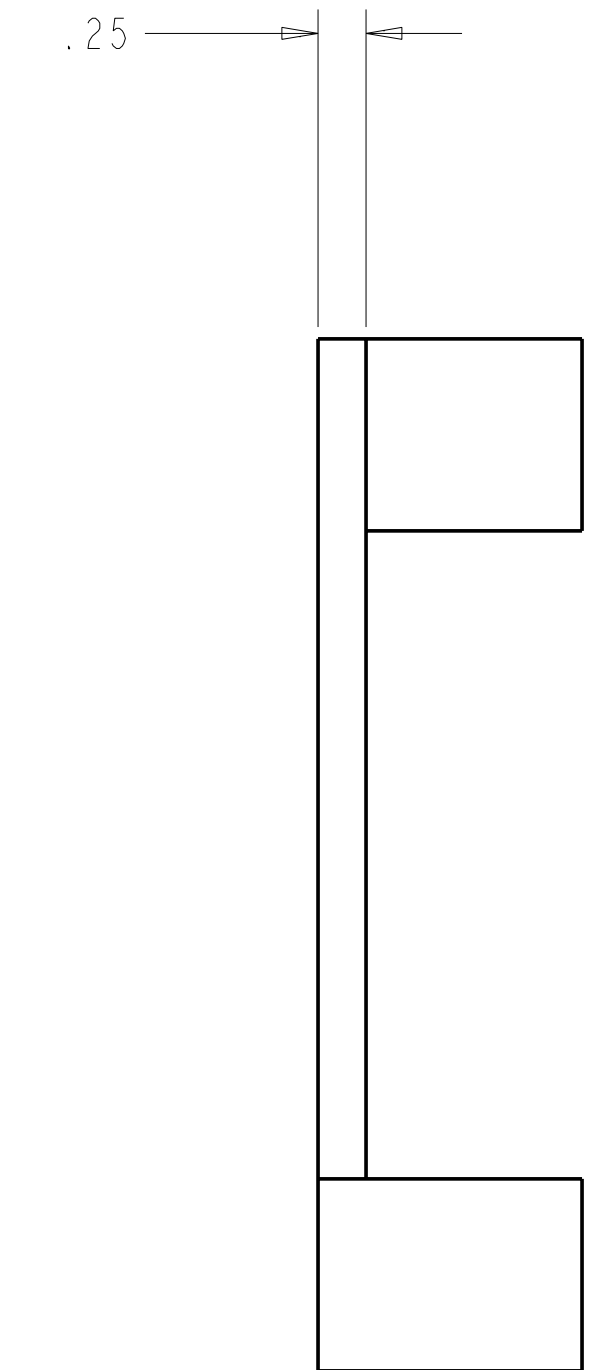
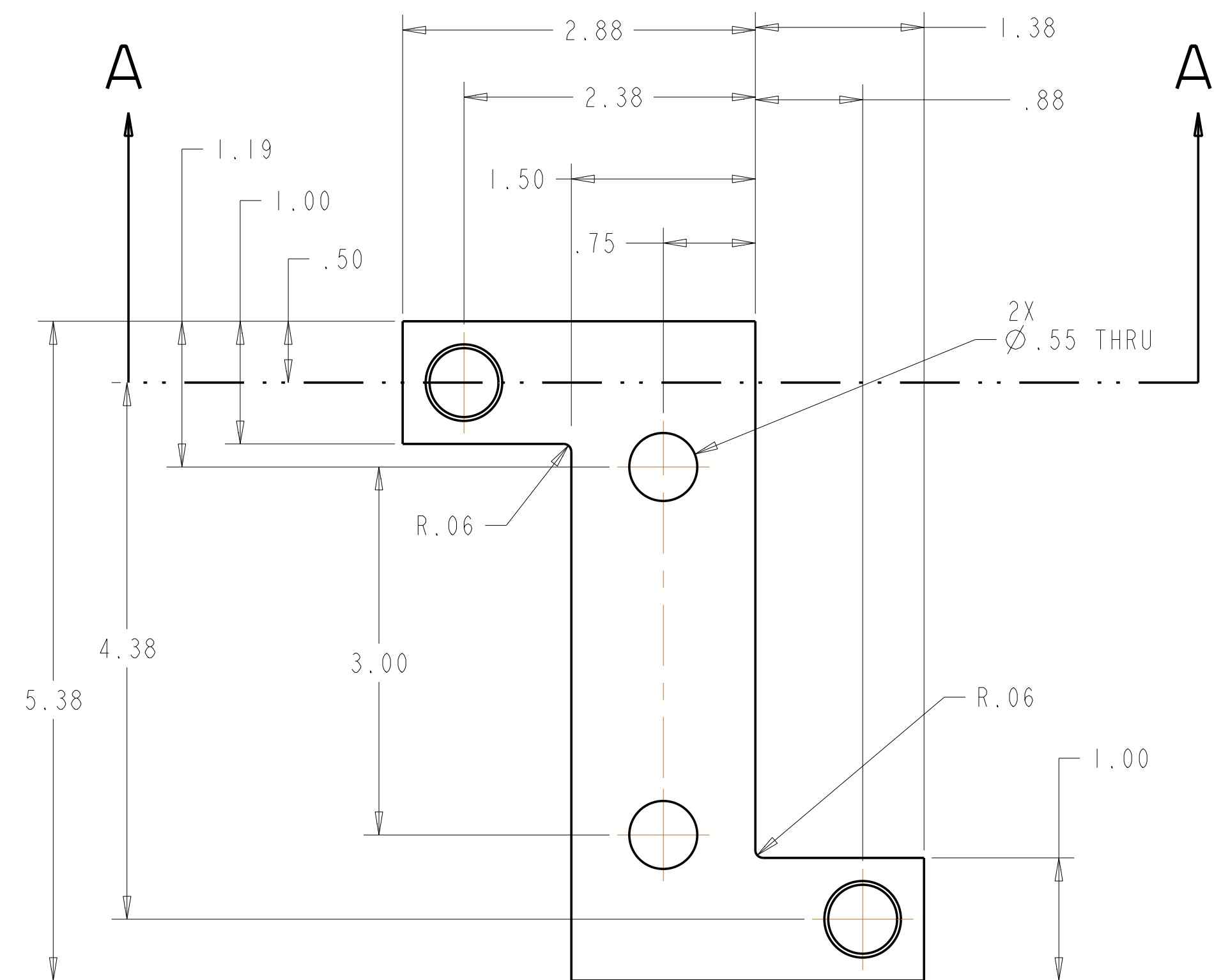
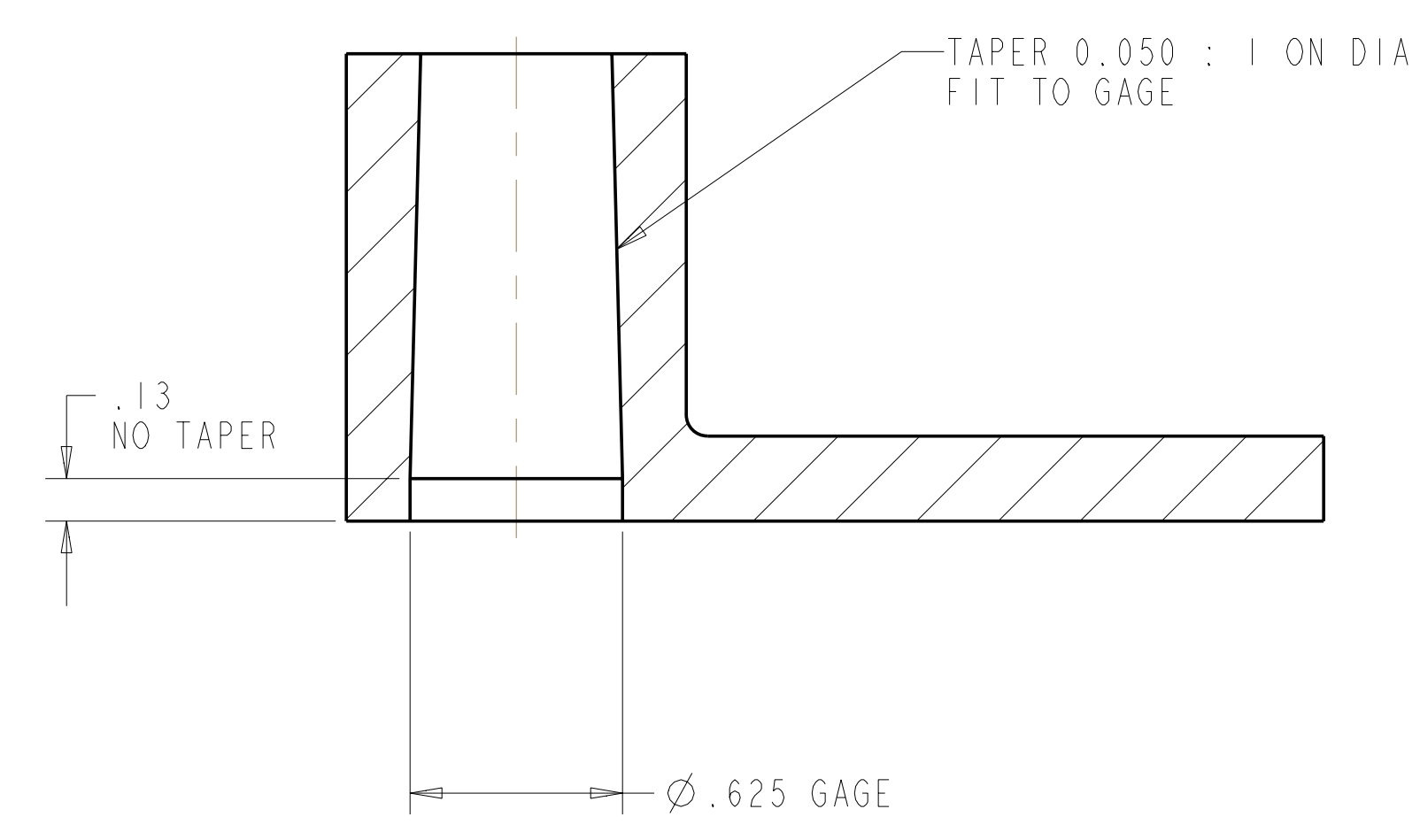


- NOTES:
1. INTERPRET DIMENSIONS AND TOLERANCES PER ANSI Y14.5M
 2. DIMENSIONS ARE IN INCHES
 3. DIMENSIONS APPLY AT ROOM TEMPERATURE. OPERATING TEMP 80 K.
 4. GEOMETRY IS DEFINED IN PRO ENGINEER CAD MODELS/FILES SEI406-051.PRT
 5. DRAWING AND MODELS COMBINED DEFINE FINISHED MACHINED PART.



ISOMETRIC VIEW
 SCALE = 1 : 1



SECTION A-A
 SCALE 2.00
 TYPICAL 2 PLACES

SCALE 1 : 1

RELEASED FOR FABRICATION / INSTALLATION
 PPPL Drafting:

next assy	AR	-1	JUMPER 1	COPPER	COA101	I
SEI406-050	CAGE CODE	PART OR IDENTIFYING NO	NOMENCLATURE OR DESCRIPTION	MATERIAL	SPECIFICATION	FIND NO
		NEXT ASSEMBLY	PARTS LIST			

SCALE NOTED		DES: PJ FOGARTY	8-12-04	Oak Ridge National Laboratory managed for the DEPARTMENT OF ENERGY under U.S. GOVERNMENT contract DE-AC05-00OR22725 UT-BATTELLE, LLC, Oak Ridge, Tennessee			
TOLERANCES UNLESS OTHERWISE SPECIFIED		DRW: G LOVETT	8-12-04	UT-BATTELLE			
FRACTIONS		CHK: M COLE	8-12-04	NATIONAL COMPACT STELLARATOR EXPERIMENT			
XX DECIMALS ±.01		DEPT:		JUMPER 1			
XXX DECIMALS ±.005		PE: D WILLIAMSON	8-12-04	VERSION NO. 5			
ANGLES ±0°15'		CR:		PLANT X-10			
BREAK SHARP EDGES .06 MAX		PJ:		BLDG 5700			
FINISH .125 UNLESS OTHERWISE SPECIFIED		REG:		FL 3			
		DOE:		SHT OF 1			
		ORNL:		TYPE I			
		DATE:		CLASS U			
		DOE DATE:		RELEASE LEVEL Fabrication			
		DATE:		SEI406-051			
		DATE:		REV 1			

NO REPRESENTATION OR WARRANTY, EXPRESSED OR IMPLIED, IS MADE AS TO THE ACCURACY, COMPLETENESS OR USEFULNESS OF THE INFORMATION OR STATEMENTS CONTAINED IN THESE DRAWINGS, OR THAT THE USE OR DISCLOSURE OF ANY INFORMATION, APPARATUS, METHOD OR PROCESS DISCLOSED IN THESE DRAWINGS MAY NOT INFRINGE PRIVATE RIGHTS OF OTHERS. NO LIABILITY IS ASSUMED WITH RESPECT TO THE USE OF, OR FOR DAMAGES RESULTING FROM THE USE OF, ANY INFORMATION, APPARATUS, METHOD OR PROCESS DISCLOSED IN THESE DRAWINGS. DRAWINGS MADE AVAILABLE FOR INFORMATION TO BIDDER ARE NOT TO BE USED FOR OTHER PURPOSES, AND ARE TO BE RETURNED UPON REQUEST OF THE FORWARDING CONTRACTOR.

P THIS DRAWING PRODUCED ON PRO-ENGINEER

H
G
F
E
D
C
B
A

H
G
F
E
D
C
B
A