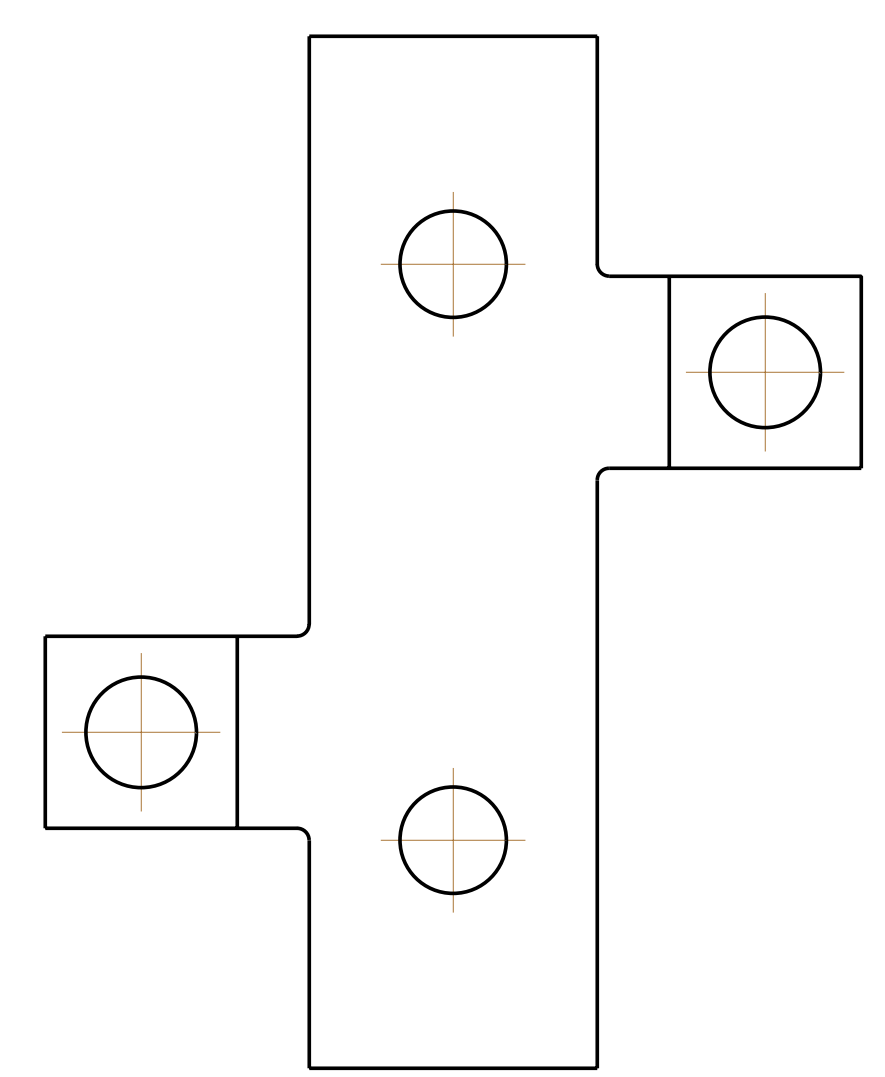
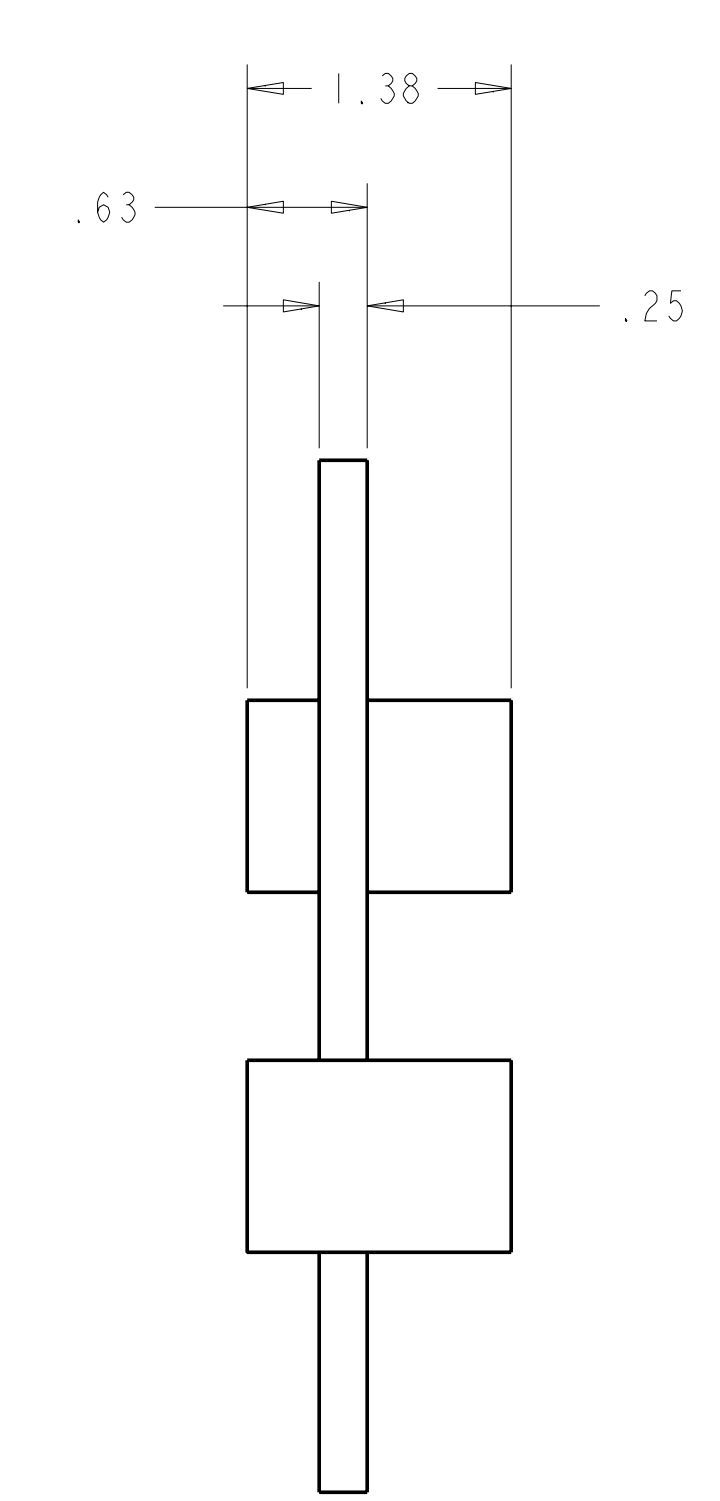
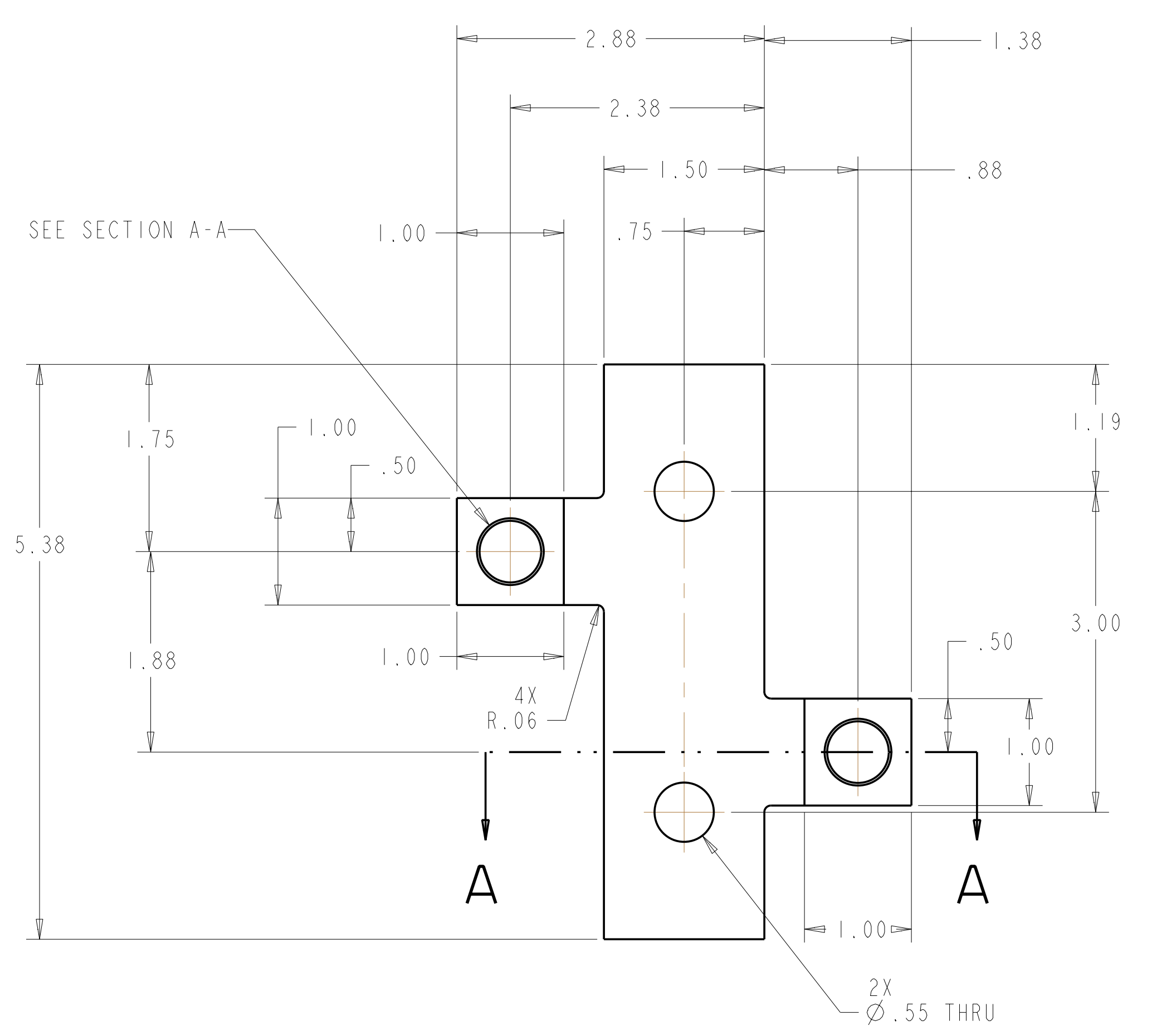
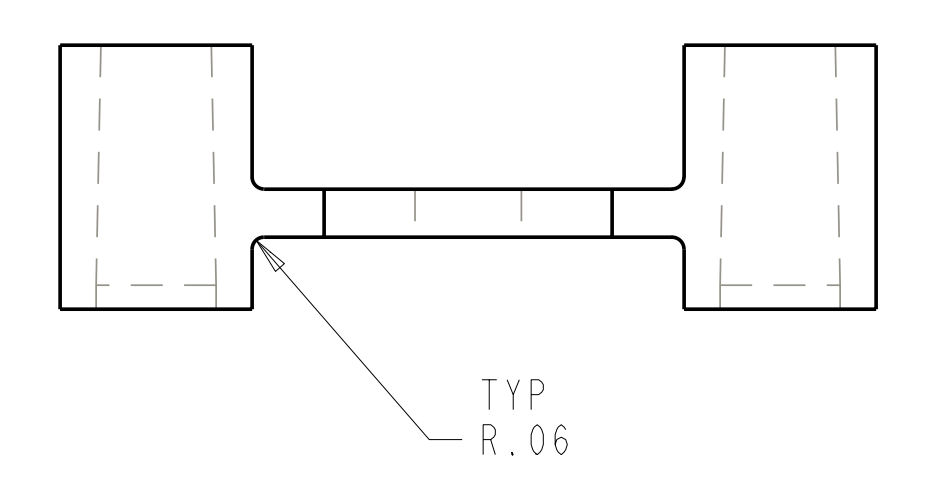
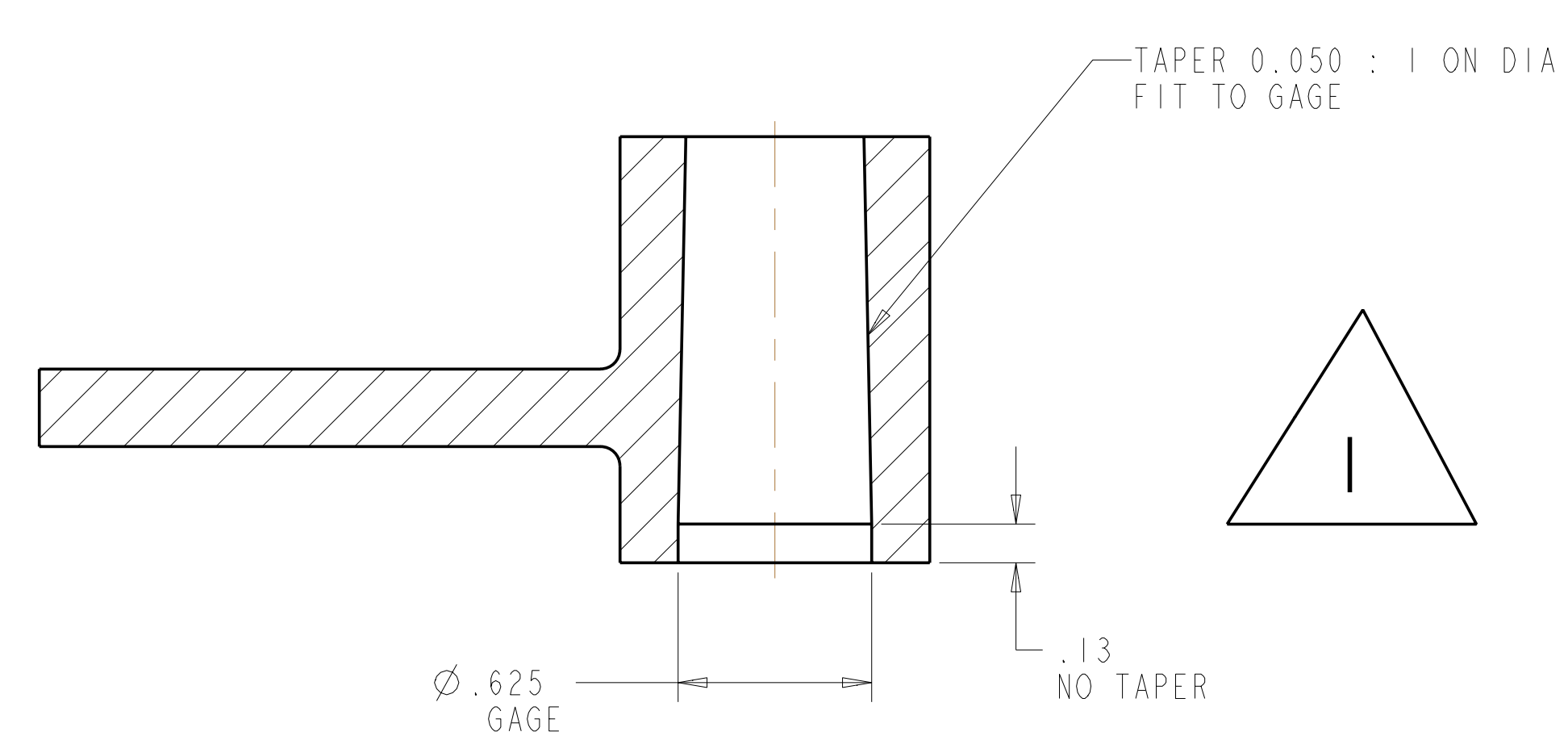


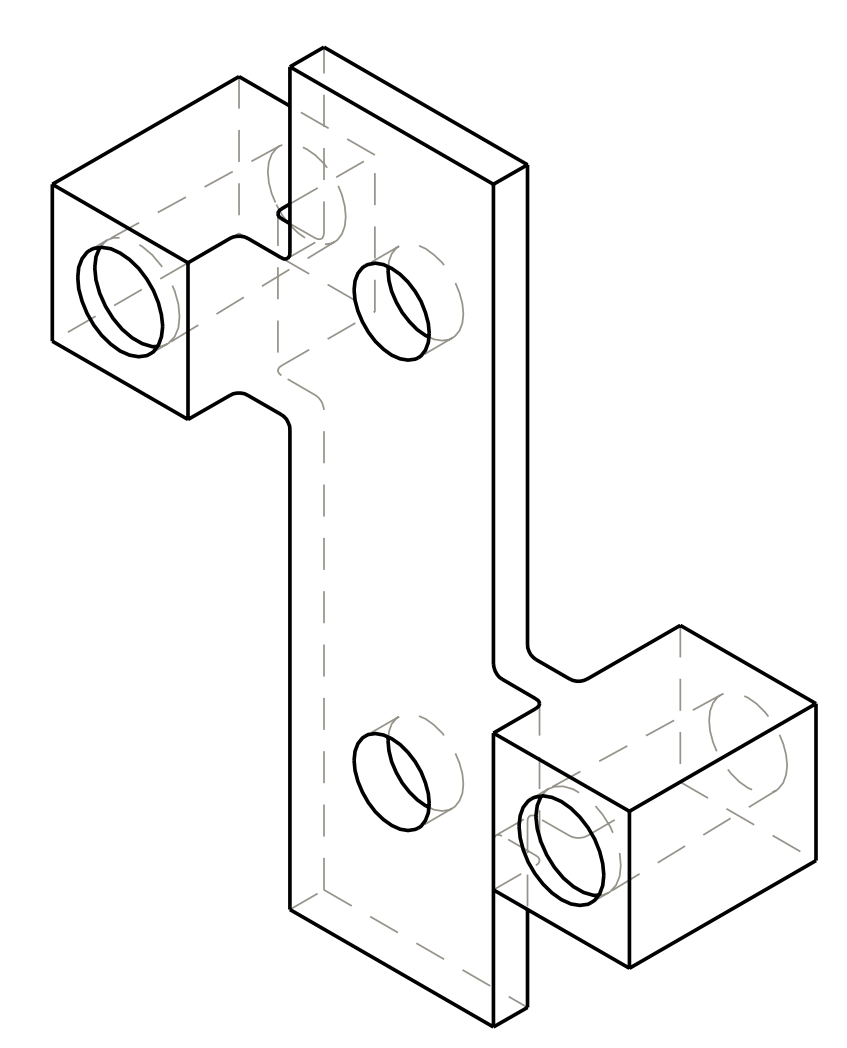
- NOTES:
1. INTERPRET DIMENSIONS AND TOLERANCES PER ANSI Y14.5M
 2. DIMENSIONS ARE IN INCHES
 3. DIMENSIONS APPLY AT ROOM TEMPERATURE, OPERATING TEMP 80 K.
 4. GEOMETRY IS DEFINED IN PRO ENGINEER CAD MODELS/FILES SE1406-052.PRT
 5. DRAWING AND MODELS COMBINED DEFINE FINISHED MACHINED PART.



I
 SCALE 1: 1



SECTION A-A
 SCALE 2:00
 TYPICAL 2 PLACES



ISOMETRIC VIEW
 SCALE 1: 1

next assy	AR	-1	JUMPER 2	COPPER	CDA101	I
SE1406-050	CAGE CODE	PART OR IDENTIFYING NO	NOMENCLATURE OR DESCRIPTION	MATERIAL	SPECIFICATION	FIND NO
		NEXT ASSEMBLY	PARTS LIST			

RELEASED FOR FABRICATION / INSTALLATION
 PPPL Drafting:

NO REPRESENTATION OR WARRANTY, EXPRESSED OR IMPLIED, IS MADE AS TO THE ACCURACY, COMPLETENESS OR USEFULNESS OF THE INFORMATION OR STATEMENTS CONTAINED IN THESE DRAWINGS, OR THAT THE USE OR DISCLOSURE OF ANY INFORMATION, APPARATUS, METHOD OR PROCESS DISCLOSED IN THESE DRAWINGS MAY NOT INFRINGE PRIVATE RIGHTS OF OTHERS. NO LIABILITY IS ASSUMED WITH RESPECT TO THE USE OF, OR FOR DAMAGES RESULTING FROM THE USE OF, ANY INFORMATION, APPARATUS, METHOD OR PROCESS DISCLOSED IN THESE DRAWINGS. DRAWINGS MADE AVAILABLE FOR INFORMATION TO BIDDER ARE NOT TO BE USED FOR OTHER PURPOSES, AND ARE TO BE RETURNED UPON REQUEST OF THE FORWARDING CONTRACTOR.										P THIS DRAWING PRODUCED ON PRO-ENGINEER									
SCALE NOTED TOLERANCES UNLESS OTHERWISE SPECIFIED FRACTIONS ±.01 XX DECIMALS ±.005 XXX DECIMALS ±.0015 ANGLES ±0°15' BREAK SHARP EDGES .06 MAX FINISH .125 UNLESS OTHERWISE SPECIFIED										DES: PJ FOGARTY 8-12-04 DRW: G LOVETT 8-12-04 CHK: G JONES 8-12-04 SECT: : DEPT: : PE: D WILLIAMSON 8-12-04 CR: : PJ: : REO: : PPPL DRFT: J STEGLE : : : : : : : DRAWING APPROVALS: DATE:									
REV: 1 REVISION OR ISSUE PURPOSE: REVISED CABLE PODS PER ECN 4937 GLL III/01										U.S. GOVERNMENT CONTRACT DE-AC05-00OR22725 UT-BATTELLE, LLC. Oak Ridge, Tennessee NATIONAL COMPACT STELLARATOR EXPERIMENT JUMPER 2 VERSION NO. 0 PLANT X-10 BLDG 5700 FL 3 SHT OF 1 TYPE I CLASS U RELEASE LEVEL Fabrication SE1406-052 REV 1									

NO REPRESENTATION OR WARRANTY, EXPRESSED OR IMPLIED, IS MADE AS TO THE ACCURACY, COMPLETENESS OR USEFULNESS OF THE INFORMATION OR STATEMENTS CONTAINED IN THESE DRAWINGS, OR THAT THE USE OR DISCLOSURE OF ANY INFORMATION, APPARATUS, METHOD OR PROCESS DISCLOSED IN THESE DRAWINGS MAY NOT INFRINGE PRIVATE RIGHTS OF OTHERS. NO LIABILITY IS ASSUMED WITH RESPECT TO THE USE OF, OR FOR DAMAGES RESULTING FROM THE USE OF, ANY INFORMATION, APPARATUS, METHOD OR PROCESS DISCLOSED IN THESE DRAWINGS. DRAWINGS MADE AVAILABLE FOR INFORMATION TO BIDDER ARE NOT TO BE USED FOR OTHER PURPOSES, AND ARE TO BE RETURNED UPON REQUEST OF THE FORWARDING CONTRACTOR.

P THIS DRAWING PRODUCED ON PRO-ENGINEER

U.S. GOVERNMENT CONTRACT DE-AC05-00OR22725 UT-BATTELLE, LLC. Oak Ridge, Tennessee NATIONAL COMPACT STELLARATOR EXPERIMENT JUMPER 2 VERSION NO. 0 PLANT X-10 BLDG 5700 FL 3 SHT OF 1 TYPE I CLASS U RELEASE LEVEL Fabrication SE1406-052 REV 1									
---	--	--	--	--	--	--	--	--	--