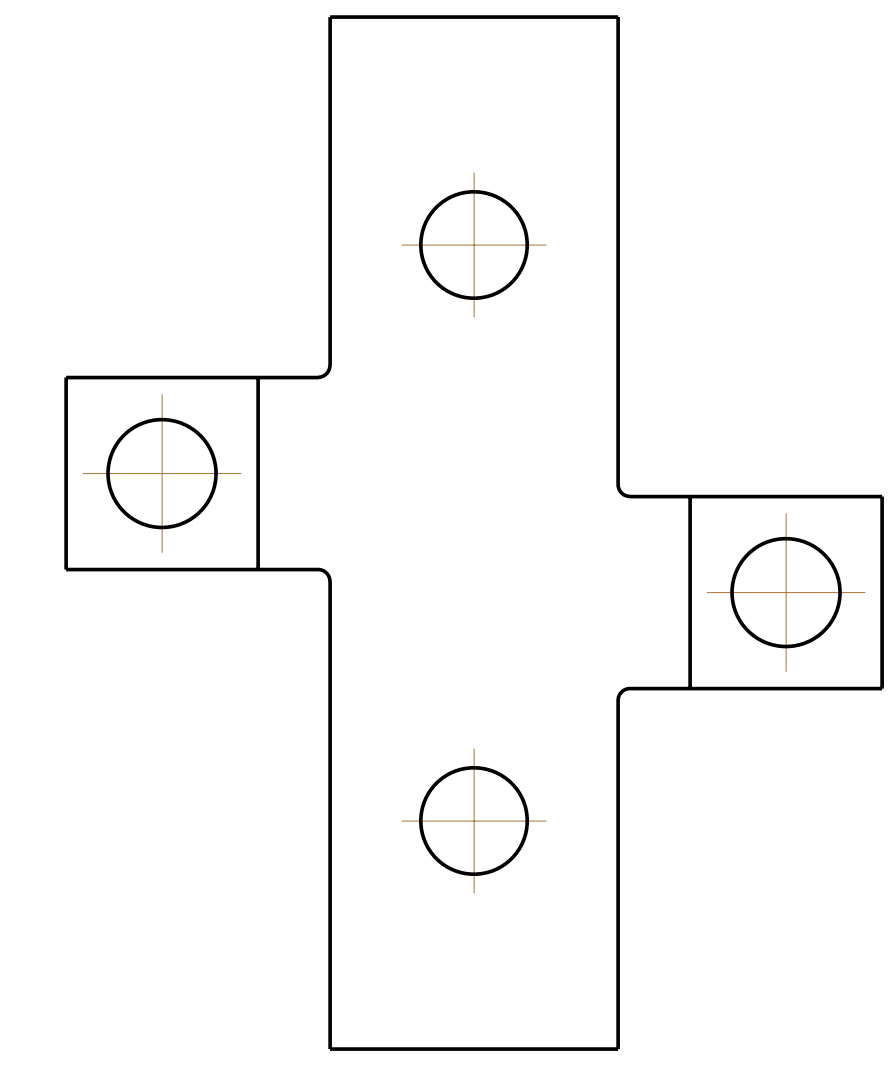
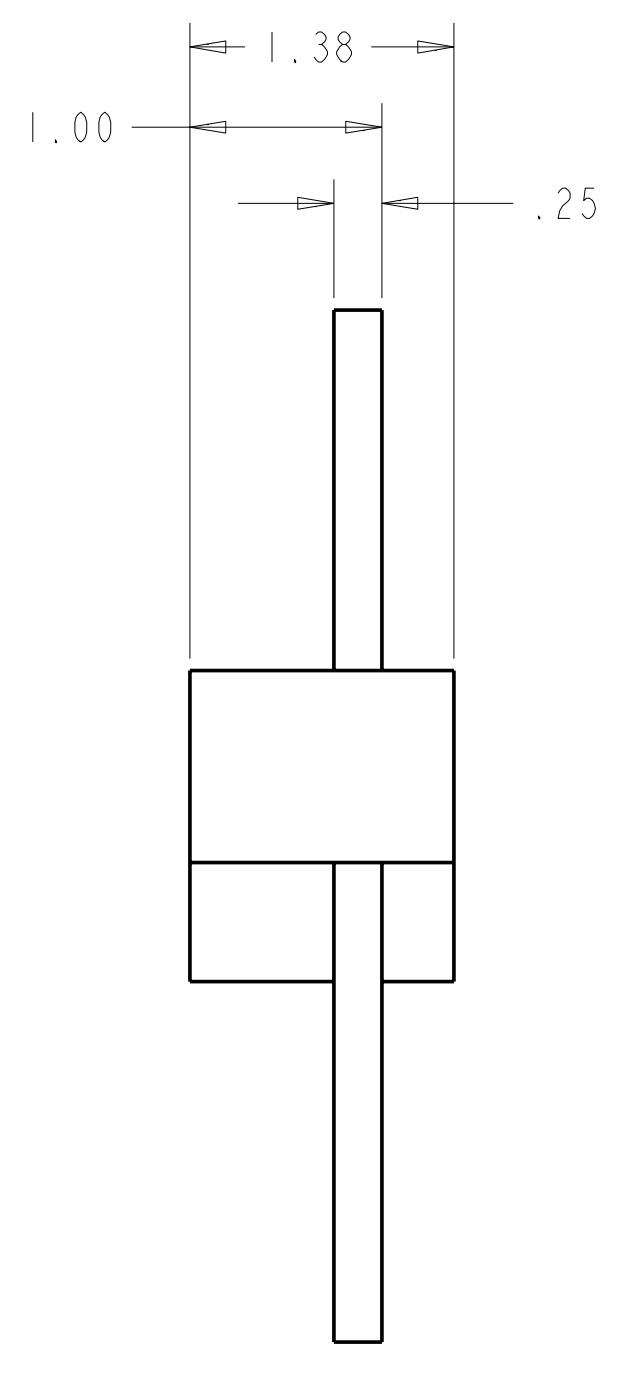
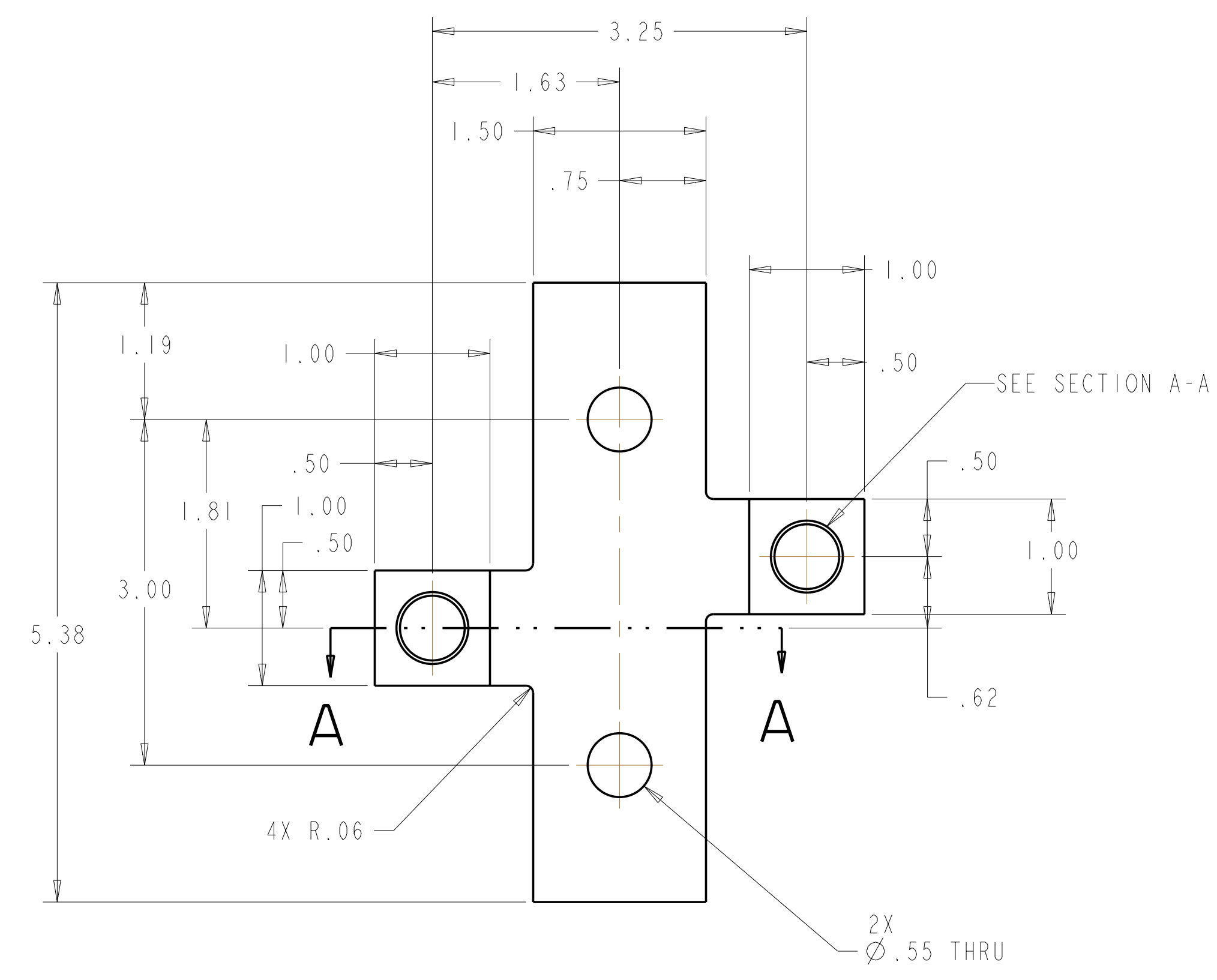
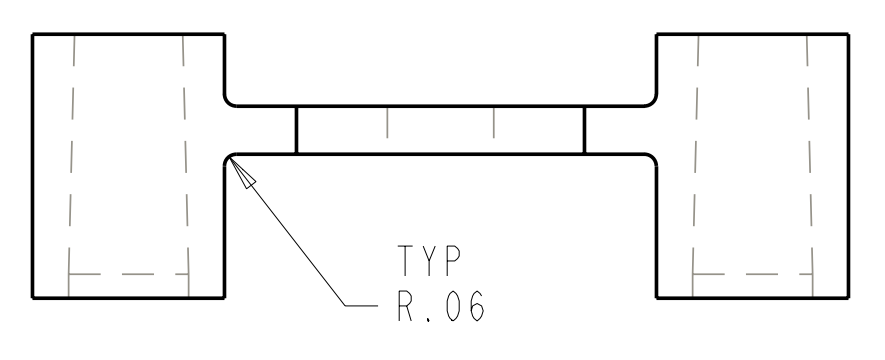
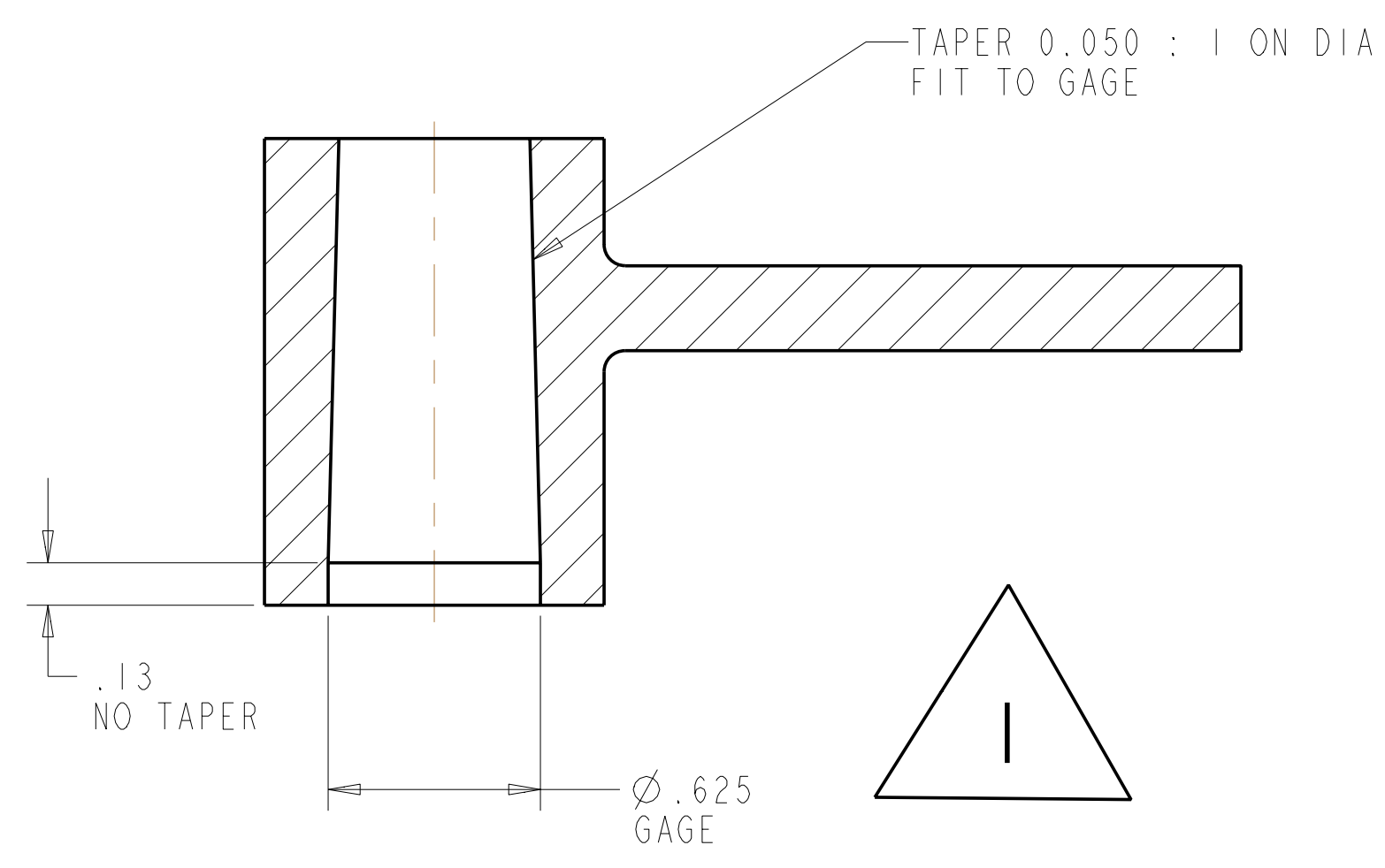


- NOTES:
1. INTERPRET DIMENSIONS AND TOLERANCES PER ANSI Y14.5M
  2. DIMENSIONS ARE IN INCHES
  3. DIMENSIONS APPLY AT ROOM TEMPERATURE. OPERATING TEMP 80 K.
  4. GEOMETRY IS DEFINED IN PRO ENGINEER CAD MODELS/FILES SEI406-053.PRT
  5. DRAWING AND MODELS COMBINED DEFINE FINISHED MACHINED PART.

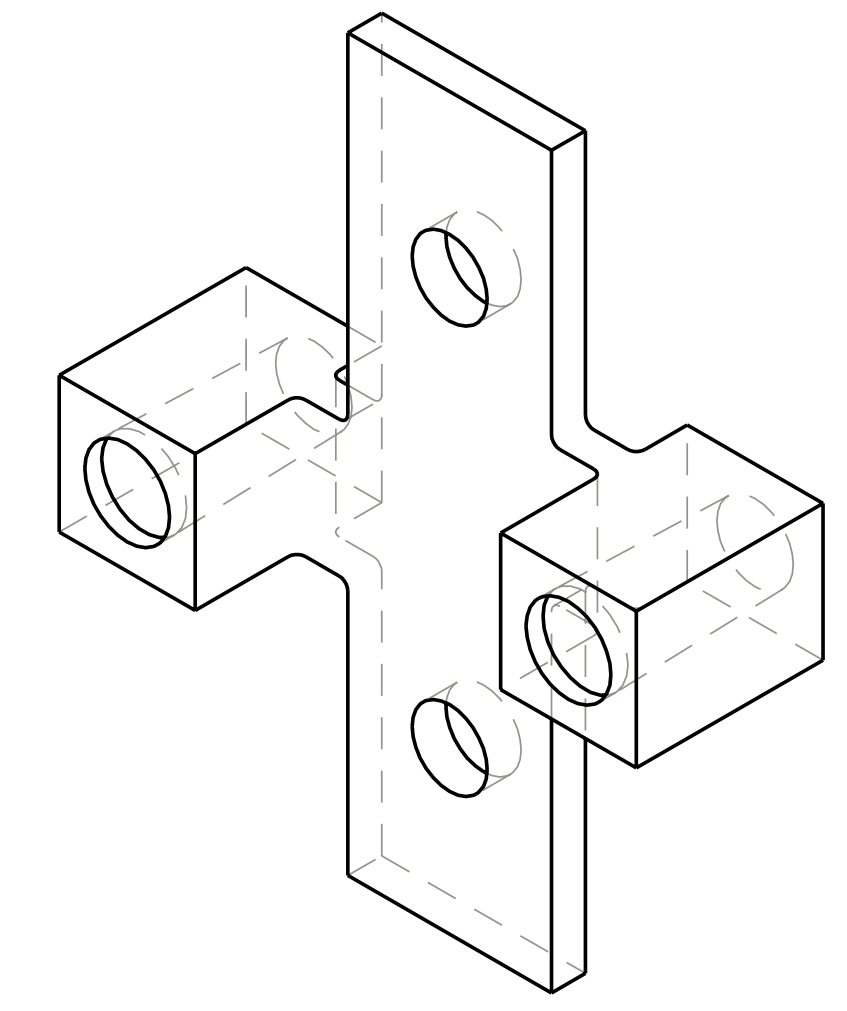


SCALE 1: 1



SECTION A-A  
 SCALE 2.00  
 TYPICAL 2 PLACES

**RELEASED FOR FABRICATION / INSTALLATION**  
 PPPL Drafting:



ISOMETRIC VIEW  
 SCALE 1: 1

next assy	AR	-1	JUMPER 3	COPPER	CDA101	I
SEI406-010	CAGE CODE	PART OR IDENTIFYING NO	NOMENCLATURE OR DESCRIPTION	MATERIAL	SPECIFICATION	FIND NO
		NEXT ASSEMBLY	PARTS LIST			

NO REPRESENTATION OR WARRANTY, EXPRESSED OR IMPLIED, IS MADE AS TO THE ACCURACY, COMPLETENESS OR USEFULNESS OF THE INFORMATION OR STATEMENTS CONTAINED IN THESE DRAWINGS, OR THAT THE USE OR DISCLOSURE OF ANY INFORMATION, APPARATUS, METHOD OR PROCESS DISCLOSED IN THESE DRAWINGS MAY NOT INFRINGE PRIVATE RIGHTS OF OTHERS. NO LIABILITY IS ASSUMED WITH RESPECT TO THE USE OF, OR FOR DAMAGES RESULTING FROM THE USE OF, ANY INFORMATION, APPARATUS, METHOD OR PROCESS DISCLOSED IN THESE DRAWINGS. DRAWINGS MADE AVAILABLE FOR INFORMATION TO BIDDER ARE NOT TO BE USED FOR OTHER PURPOSES, AND ARE TO BE RETURNED UPON REQUEST OF THE FORWARDING CONTRACTOR.

**P** THIS DRAWING PRODUCED ON PRO-ENGINEER

REV	DESCRIPTION	BY	DATE	CHK	DEPT	DATE	PE	REQ	DATE	DRNL	DOE	DATE
1	REVISED CABLE PODS PER ECN 4937	GLL	11/01									
	REVISION OR ISSUE PURPOSE											

SCALE NOTED	DES: PJ FOGARTY	8-12-04
TOLERANCES UNLESS OTHERWISE SPECIFIED	DRW: G LOVETT	8-12-04
FRACTIONS	CHK: M COLE	8-12-04
XX DECIMALS ±.01	SECT: :	
XXX DECIMALS ±.005	DEPT: :	
ANGLES ±0°15'	PE: D WILLIAMSON	8-12-04
BREAK SHARP EDGES .06 MAX	CR: :	
FINISH .125 UNLESS OTHERWISE SPECIFIED	PJ: :	
	REG: :	
	REQ: :	
	DRFT: J STEGEL	
	DATE: :	

Oak Ridge National Laboratory managed for the DEPARTMENT OF ENERGY under U.S. GOVERNMENT contract DE-AC05-00OR22725 UT-BATTELLE, LLC, Oak Ridge, Tennessee PRODUCT NAME <b>NATIONAL COMPACT STELLARATOR EXPERIMENT</b>									
JUMPER 3									
VERSION NO.	PLANT	BLDG	FL	SHT OF	TYPE	CLASS			
0	X-10	5700	3	1	S	U	RELEASE LEVEL		
Fabrication							SEI406-053		
DRAWING APPROVALS							DATE		

SEI406-053