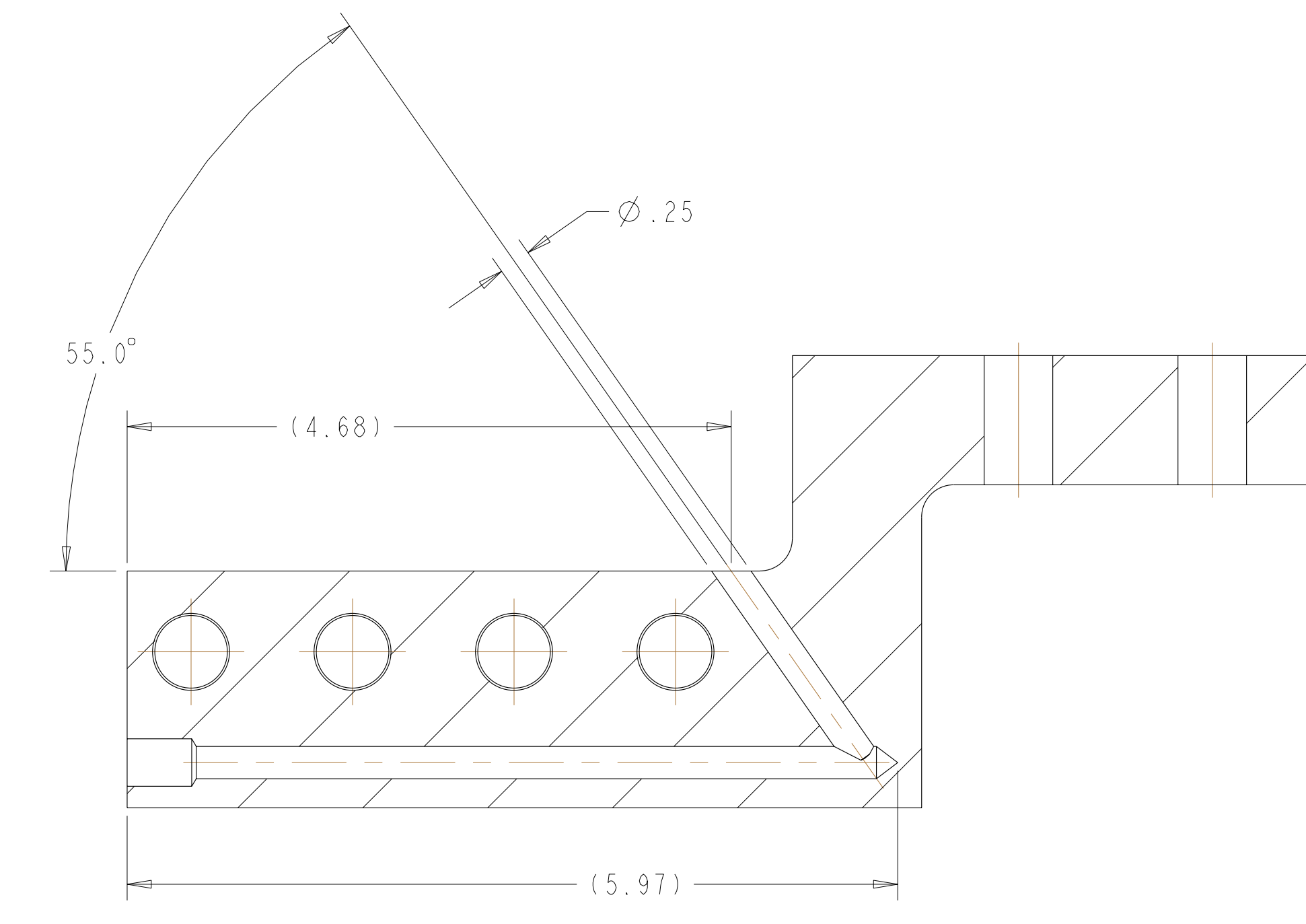
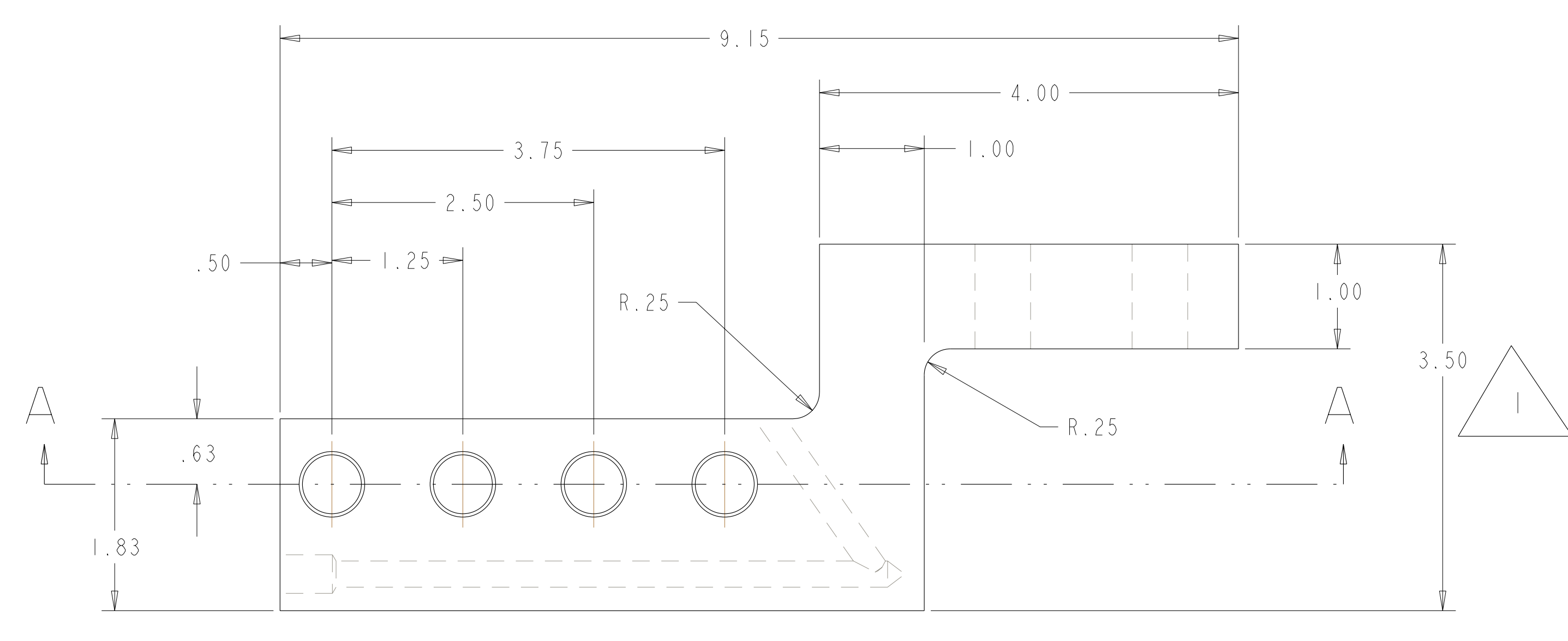
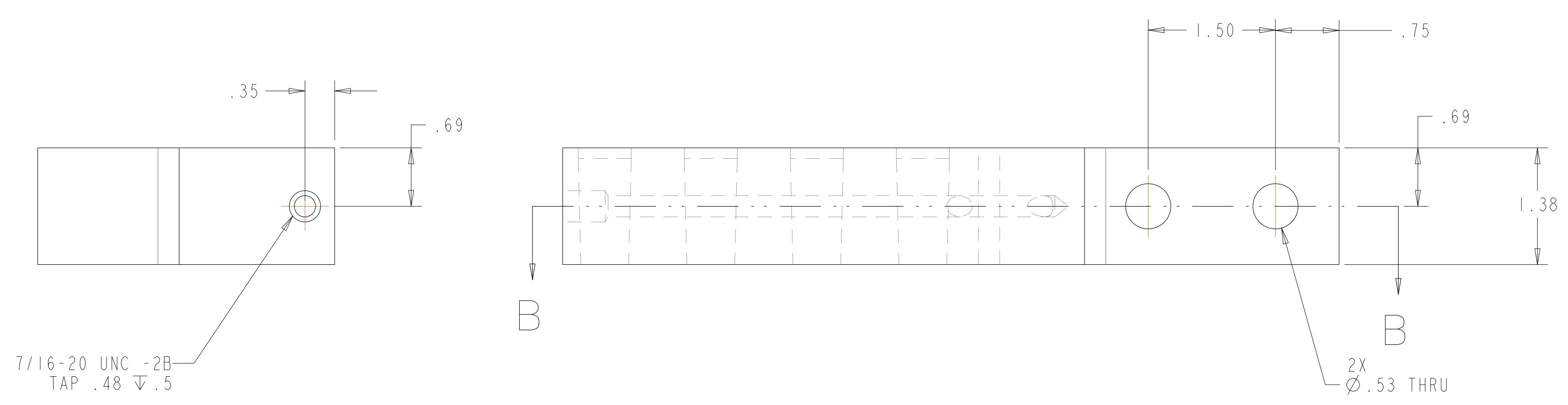


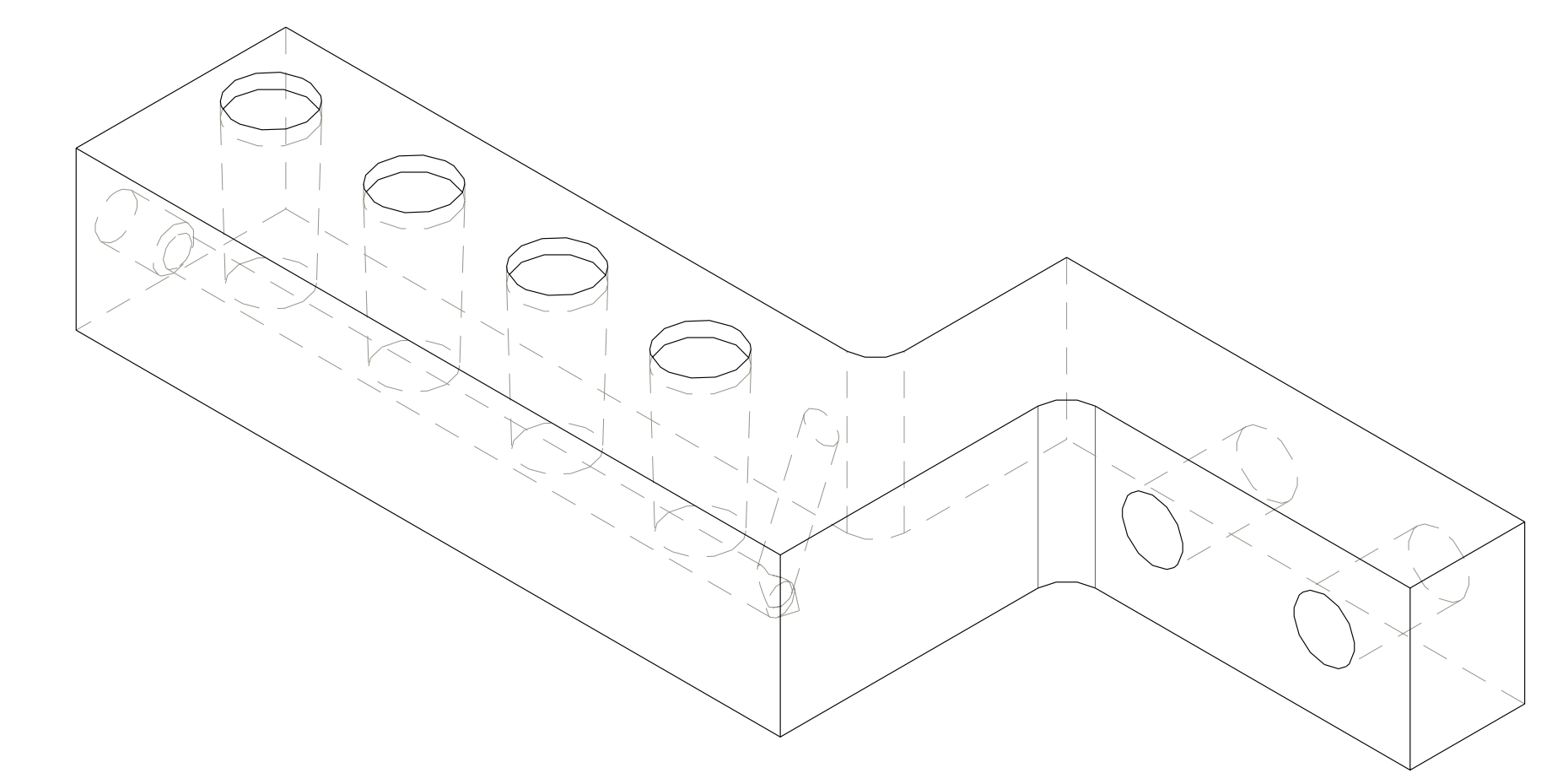
- NOTES:
1. INTERPRET DIMENSIONS AND TOLERANCES PER ANSI Y14.5M
 2. DIMENSIONS ARE IN INCHES
 3. DIMENSIONS APPLY AT ROOM TEMPERATURE. OPERATING TEMP 80 K.
 4. GEOMETRY IS DEFINED IN PRO ENGINEER CAD MODELS/FILES SE1406-056.PRT
 5. DRAWING AND MODELS COMBINED DEFINE FINISHED MACHINED PART.



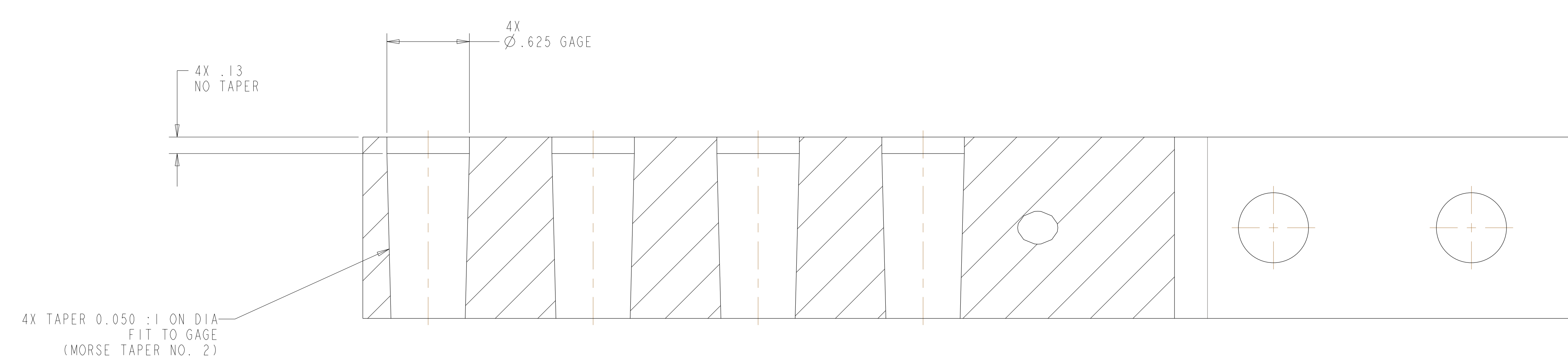
SECTION B-B



scale 1:1



ISOMETRIC VIEW scale 1:1



SECTION A-A SCALE 2.00

RELEASED FOR FABRICATION / INSTALLATION
 PPPL Drafting:

next assy	AR	-1	TERMINAL LUG OUT	COPPER	UNS C10200	I
SE1406-056	CAGE CODE	PART OR IDENTIFYING NO	NOMENCLATURE OR DESCRIPTION	MATERIAL	SPECIFICATION	FIND NO
	←	NEXT ASSEMBLY		PARTS LIST		

NO REPRESENTATION OR WARRANTY, EXPRESSED OR IMPLIED, IS MADE AS TO THE ACCURACY, COMPLETENESS OR USEFULNESS OF THE INFORMATION OR STATEMENTS CONTAINED IN THESE DRAWINGS, OR THAT THE USE OR DISCLOSURE OF ANY INFORMATION, APPARATUS, METHOD OR PROCESS DISCLOSED IN THESE DRAWINGS MAY NOT INFRINGE PRIVATE RIGHTS OF OTHERS. NO LIABILITY IS ASSUMED WITH RESPECT TO THE USE OF, OR FOR DAMAGES RESULTING FROM THE USE OF, ANY INFORMATION, APPARATUS, METHOD OR PROCESS DISCLOSED IN THESE DRAWINGS. DRAWINGS MADE AVAILABLE FOR INFORMATION TO BIDDER ARE NOT TO BE USED FOR OTHER PURPOSES, AND ARE TO BE RETURNED UPON REQUEST OF THE FORWARDING CONTRACTOR.

P THIS DRAWING PRODUCED ON PRO-ENGINEER

REVISE PART AND DRAWING PER ECN 4962		GLL	2-05																		
REV	DESCRIPTION	BY	DATE	CHK	DEPT	DATE	PE	REQ	DATE	ORNL	DOE	DATE									
	REVISION OR ISSUE PURPOSE												REVISION APPROVAL								

SCALE NOTED	DES: PJ FOGARTY	8-13-04	UT-BATTELLE	Oak Ridge National Laboratory managed for the DEPARTMENT OF ENERGY under U.S. GOVERNMENT contract DE-AC05-00OR22725 UT-BATTELLE, LLC. Oak Ridge, Tennessee											
TOLERANCES UNLESS OTHERWISE SPECIFIED	DRW: G LOVETT	8-13-04		PROJECT NAME: NATIONAL COMPACT STELLARATOR EXPERIMENT											
FRACTIONS XX DECIMALS ±.01 XXX DECIMALS ±.005 ANGLES ±0°15' BREAK SHARP EDGES .06 MAX FINISH .125 UNLESS OTHERWISE SPECIFIED	CHK: M COLE	8-13-04		TERMINAL LUG OUT											
	SECT: :		PPPL DRFT J STEGEL			11/04	VERSION NO. 5	PLANT X-10	BLDG 5700	FL 3	SHT OF 1	TYPE I	CLASS U	REV	
	DEPT: :						RELEASE LEVEL	Fabrication		SE1406-056					
	PE: D WILLIAMSON	8-13-04	DRAWING APPROVALS			DATE									