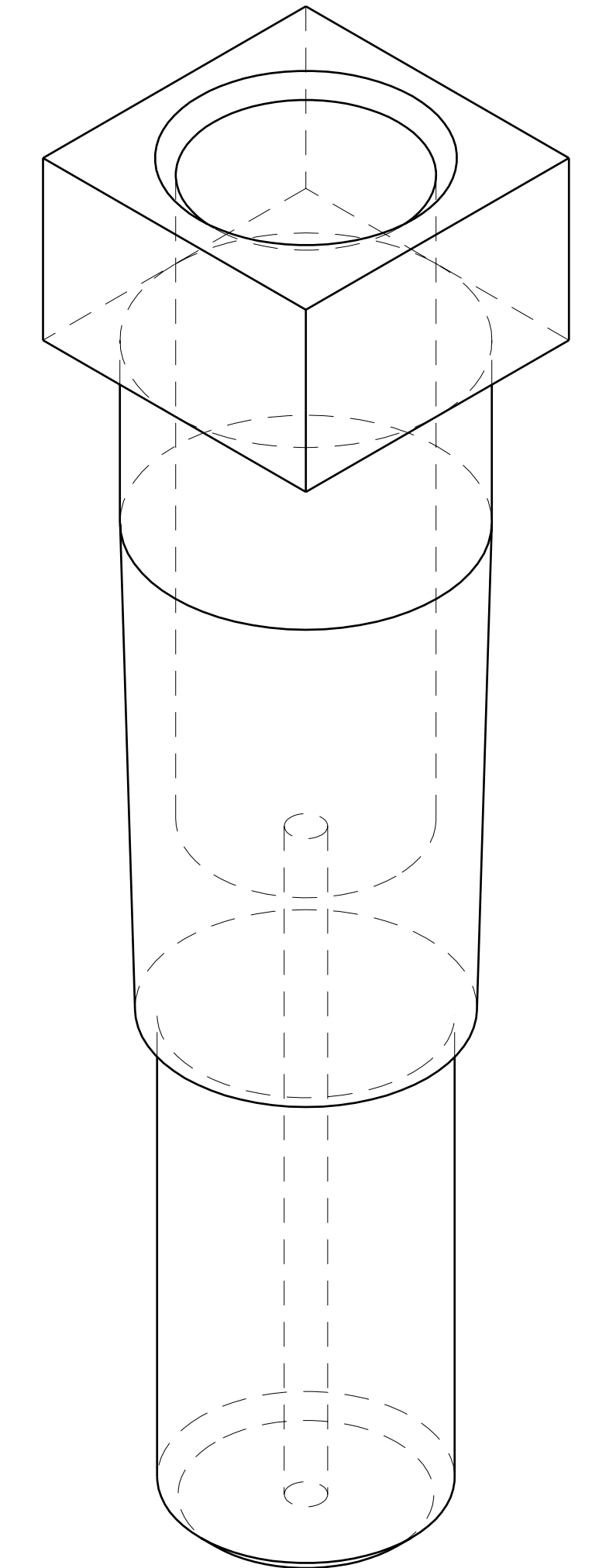
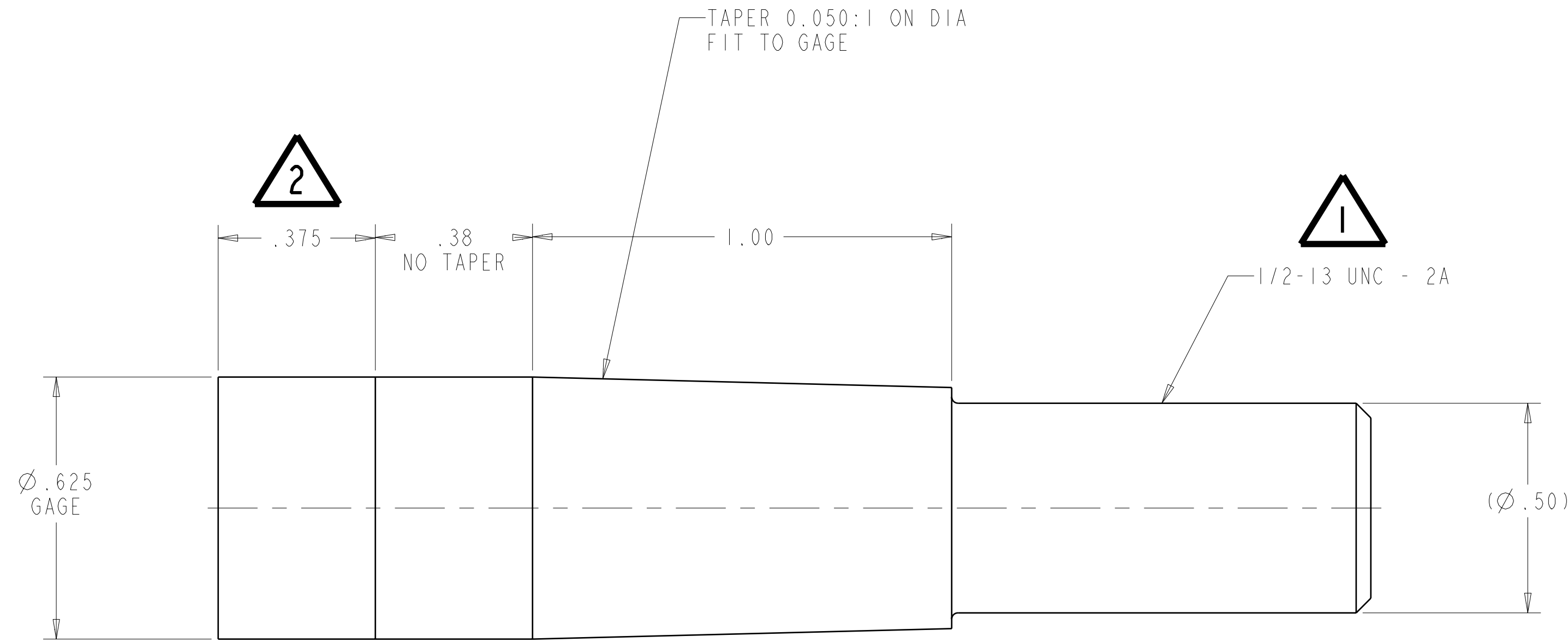
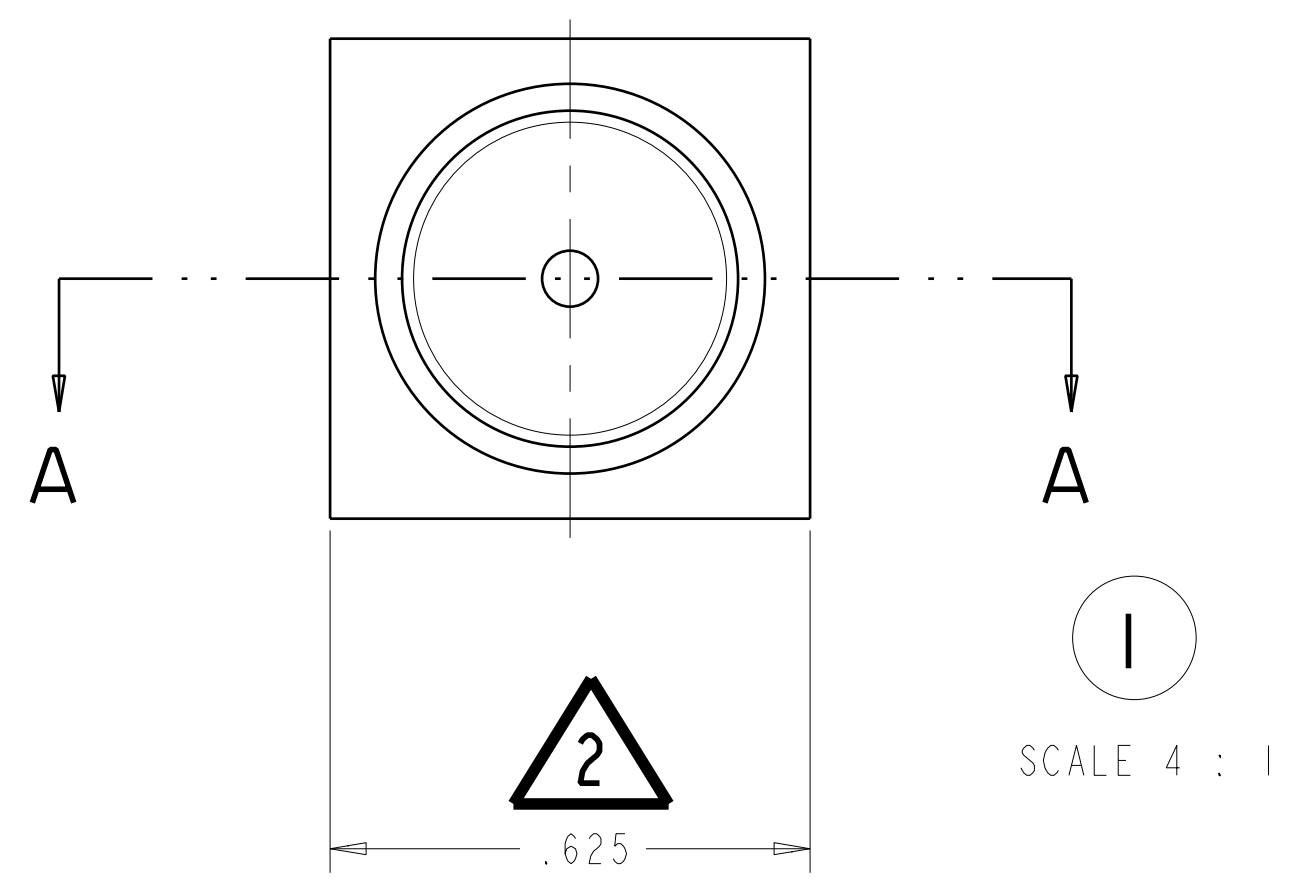


SECTION A-A



ISOMETRIC VIEW
SCALE 4 : 1

- NOTES:
1. INTERPRET DIMENSIONS AND TOLERANCES PER ANSI Y14.5M
 2. DIMENSIONS ARE IN INCHES
 3. DIMENSIONS APPLY AT ROOM TEMPERATURE. OPERATING TEMP 80 K.
 4. GEOMETRY IS DEFINED IN PRO ENGINEER CAD MODELS/FILES SE1406-077.PRT
 5. DRAWING AND MODELS COMBINED DEFINE FINISHED MACHINED PART.

**RELEASED FOR
FABRICATION / INSTALLATION**
PPPL Drafting:

next assy	AR	-1	CONNECTOR	OFHC COPPER	COA101	I
SE1406-070	CAGE CODE	PART OR IDENTIFYING NO	NOMENCLATURE OR DESCRIPTION	MATERIAL	SPECIFICATION	FIND NO
		NEXT ASSEMBLY	PARTS LIST			

NO REPRESENTATION OR WARRANTY, EXPRESSED OR IMPLIED, IS MADE AS TO THE ACCURACY, COMPLETENESS OR USEFULNESS OF THE INFORMATION OR STATEMENTS CONTAINED IN THESE DRAWINGS, OR THAT THE USE OR DISCLOSURE OF ANY INFORMATION, APPARATUS, METHOD OR PROCESS DISCLOSED IN THESE DRAWINGS MAY NOT INFRINGE PRIVATE RIGHTS OF OTHERS. NO LIABILITY IS ASSUMED WITH RESPECT TO THE USE OF, OR FOR DAMAGES RESULTING FROM THE USE OF, ANY INFORMATION, APPARATUS, METHOD OR PROCESS DISCLOSED IN THESE DRAWINGS. DRAWINGS MADE AVAILABLE FOR INFORMATION TO BIDDER ARE NOT TO BE USED FOR OTHER PURPOSES, AND ARE TO BE RETURNED UPON REQUEST OF THE FORWARDING CONTRACTOR.

P THIS DRAWING PRODUCED ON PRO-ENGINEER

REV	DESCRIPTION	BY	DATE	CHK	DEPT	DATE	PE	REG	DATE	ORNL	DOE	DATE
2	0.073 WAS 0.125 PER ECN-4953	PJ	1/28	MJC			DW					
2	.4375 WAS .410 PER ECN-4953	PJ	1/28	MJC			DW					
2	2.750 WAS 2.375 PER ECN-4953	PJ	1/28	MJC			DW					
2	ADDED .625 SQ EXT PER ECN-4953	PJ	1/28	MJC			DW					
1	ADDED NOTE PER ECN-4946	DW	1/08	MJC			DW					

SCALE NOTED	DES: P FOGARTY	11-9-04	UT-BATTELLE Oak Ridge National Laboratory managed for the DEPARTMENT OF ENERGY under U.S. GOVERNMENT contract DE-AC05-00OR22725 UT-BATTELLE, LLC, Oak Ridge, Tennessee PRODUCT NAME NATIONAL COMPACT STELLARATOR EXPERIMENT
TOLERANCES UNLESS OTHERWISE SPECIFIED	DRW: G LOVETT	11-9-04	
FRACTIONS	CHK: M COLE	11-04	
XX DECIMALS ±.01	SECT: :	:	
XXX DECIMALS ±.005	DEPT: :	:	CONNECTOR
ANGLES ±0°15'	PE: D WILLIAMSON	11-04	
FINISH .125 UNLESS OTHERWISE SPECIFIED	PJ: :	:	VERSION NO. 0 PLANT X-10 BLDG 5700 FL 3 SHT OF 1 TYPE I CLASS S U REV 2
	PPPL DRFT J SIEGEL	11-04	
	RELEAS LEVEL Fabrication		SE1406-077

H
G
F
E
D
C
B
A