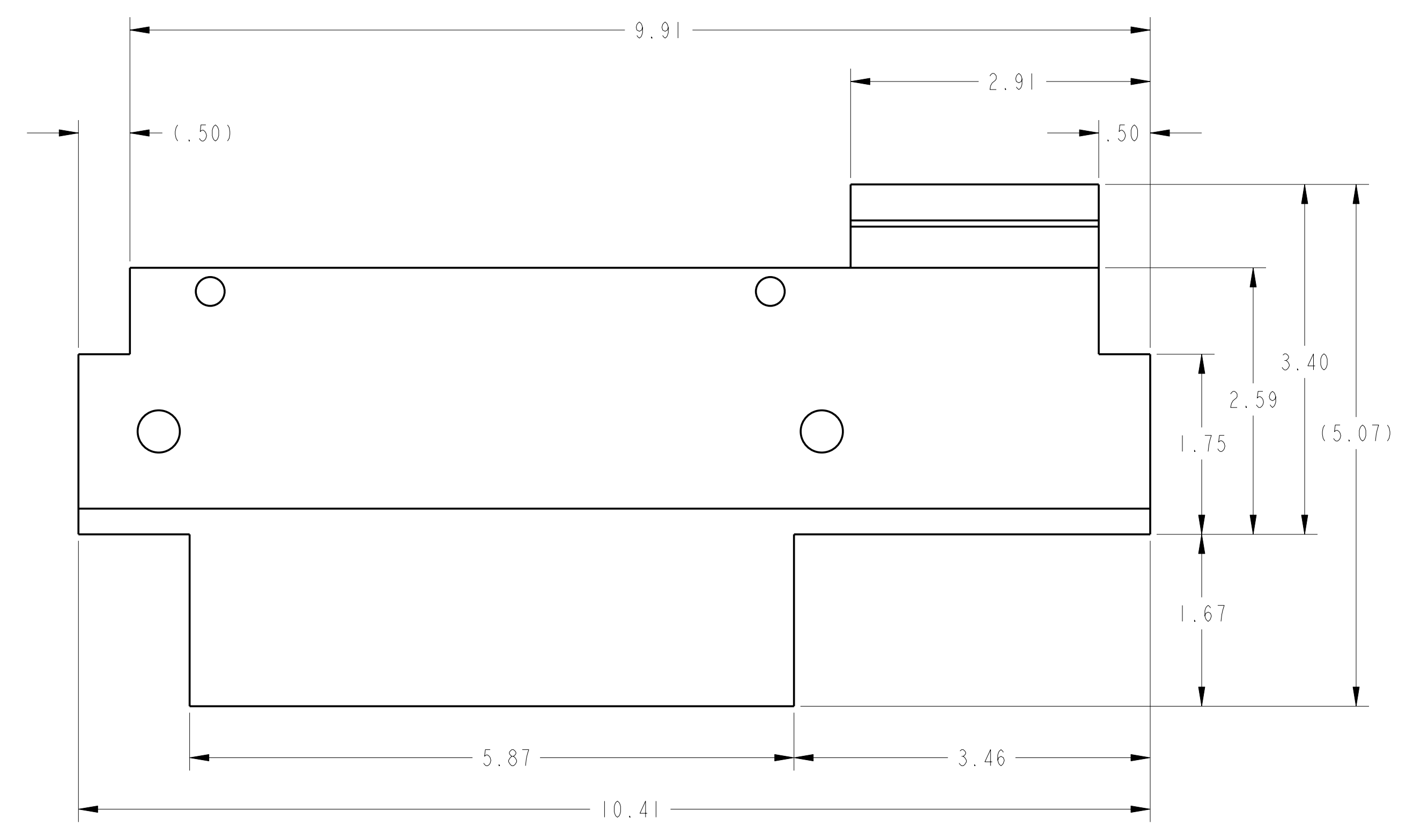
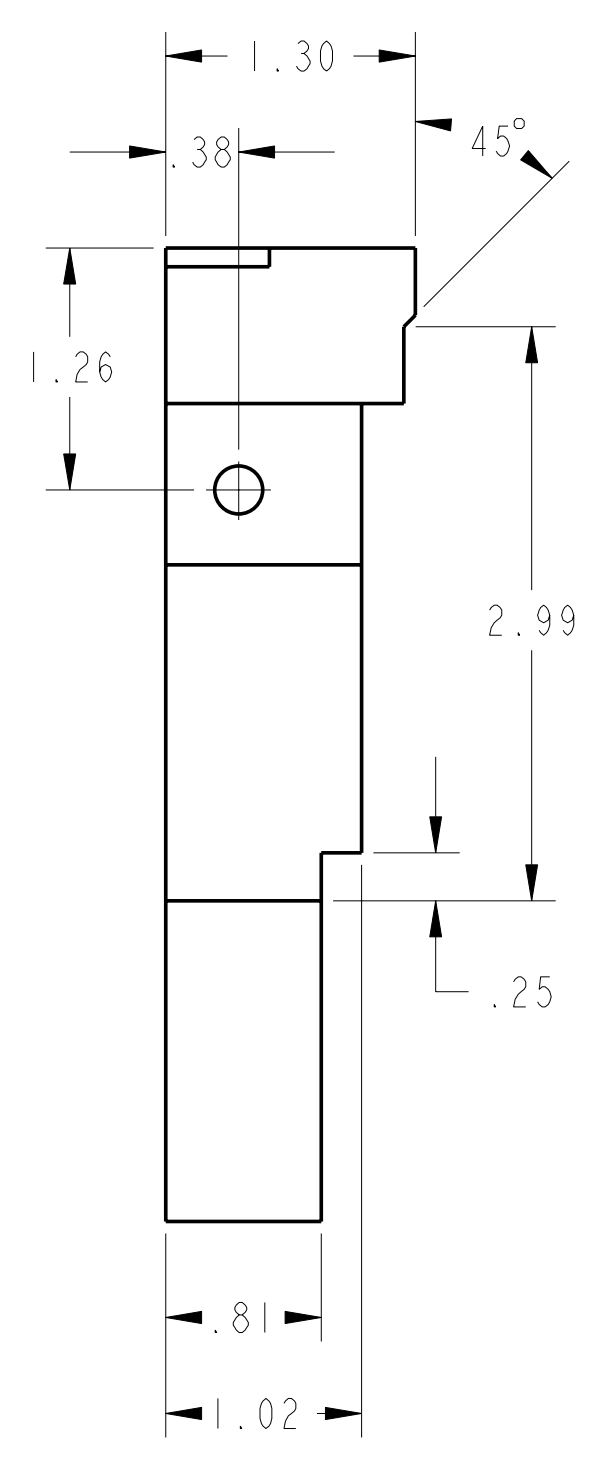
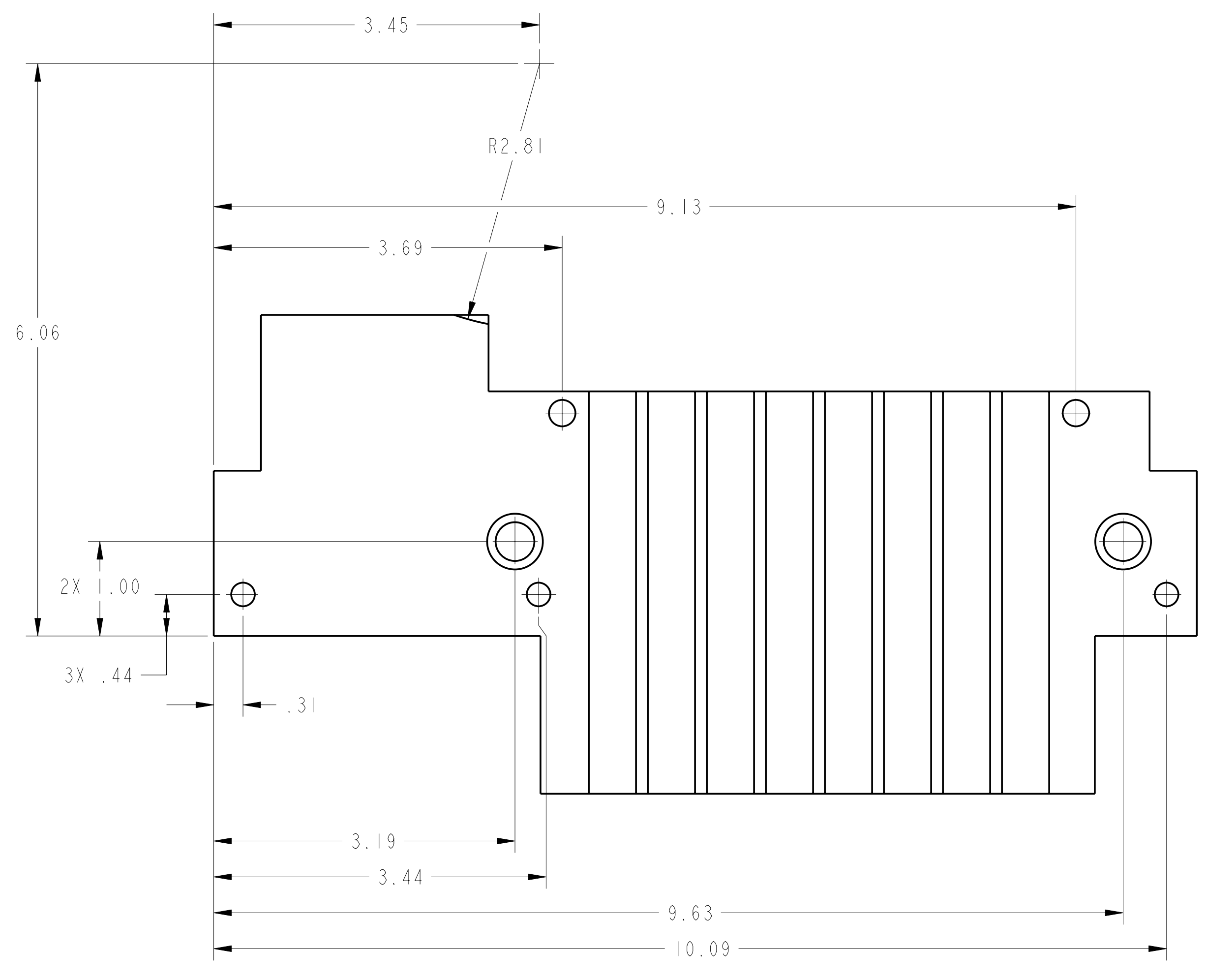
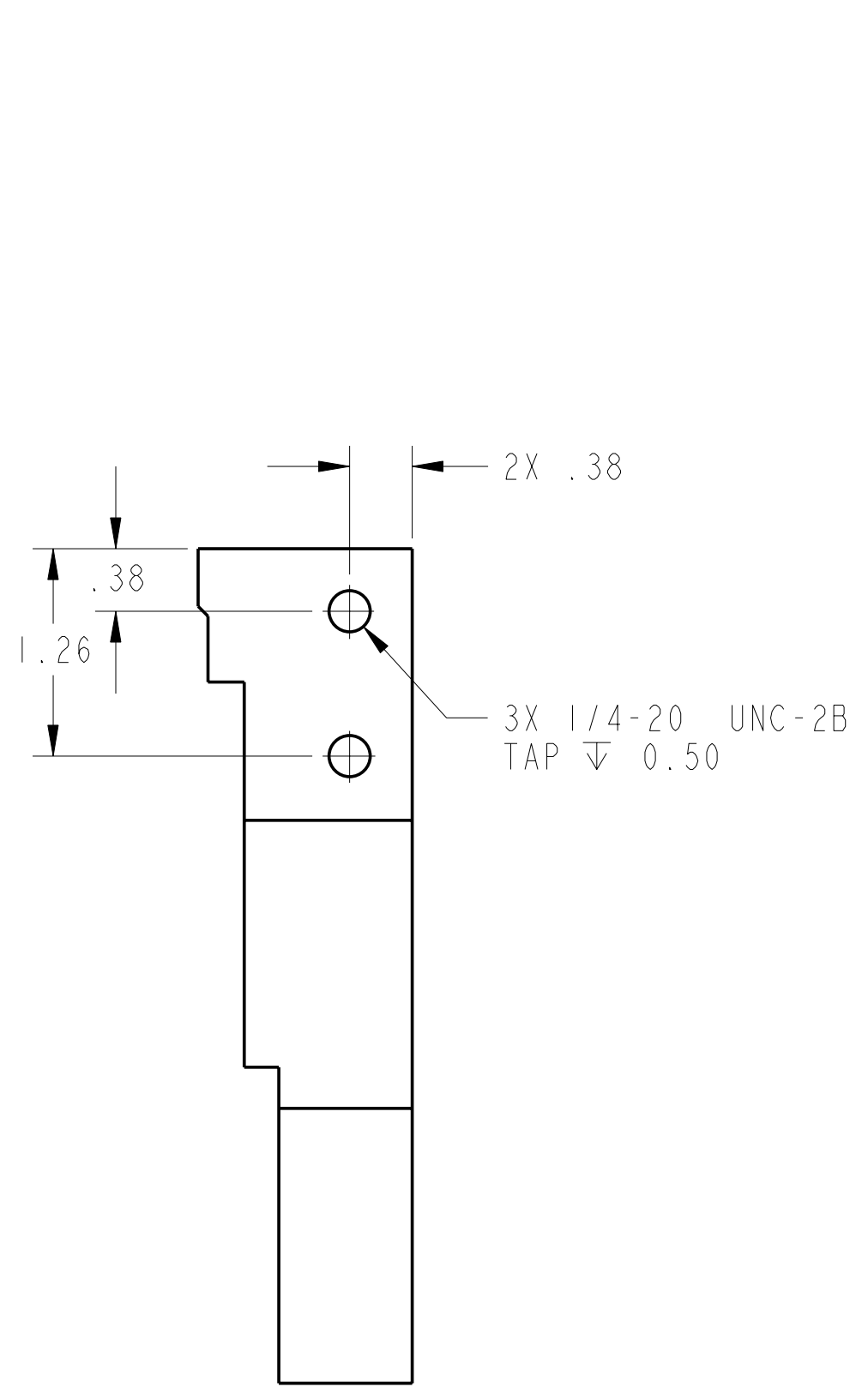
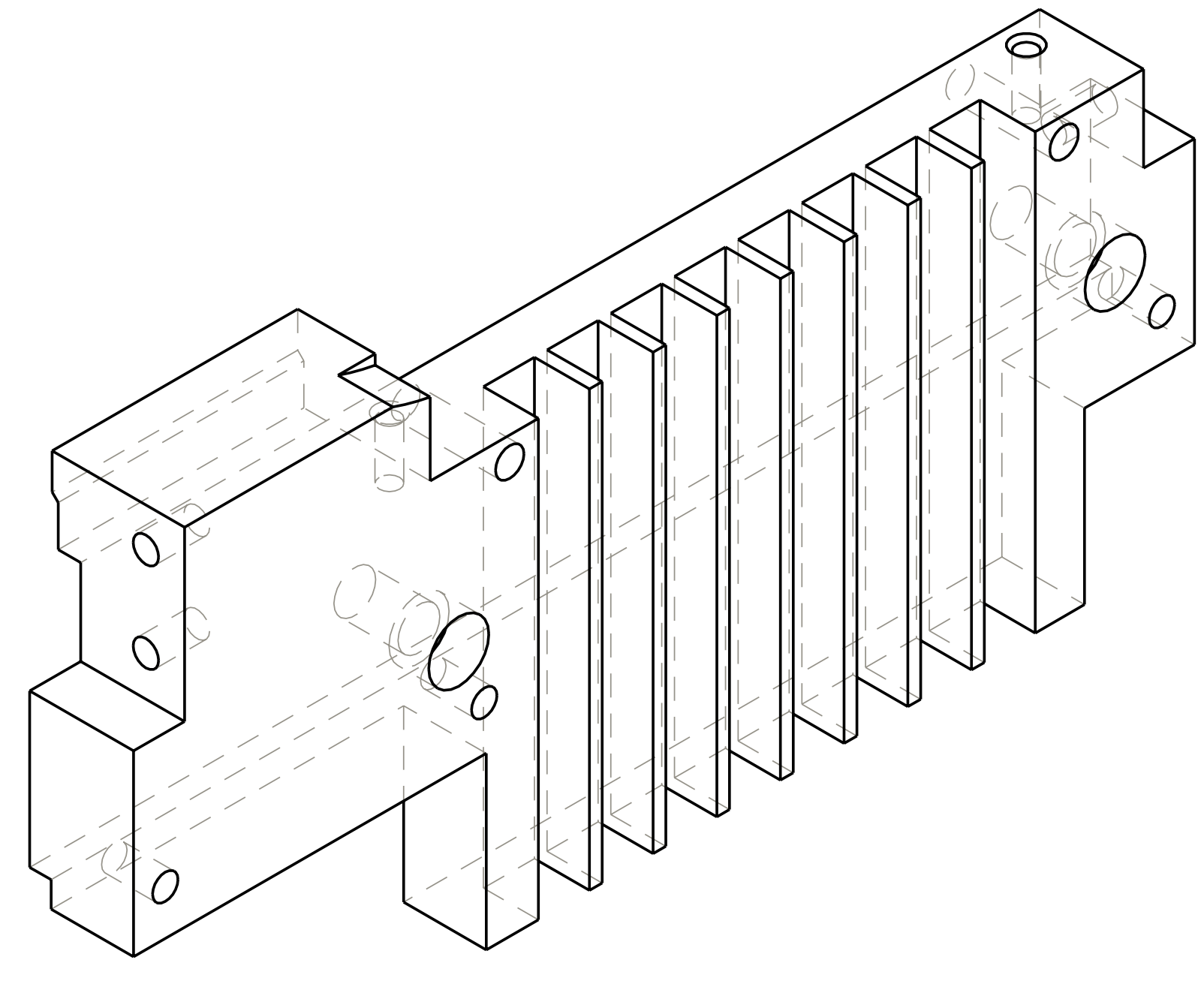
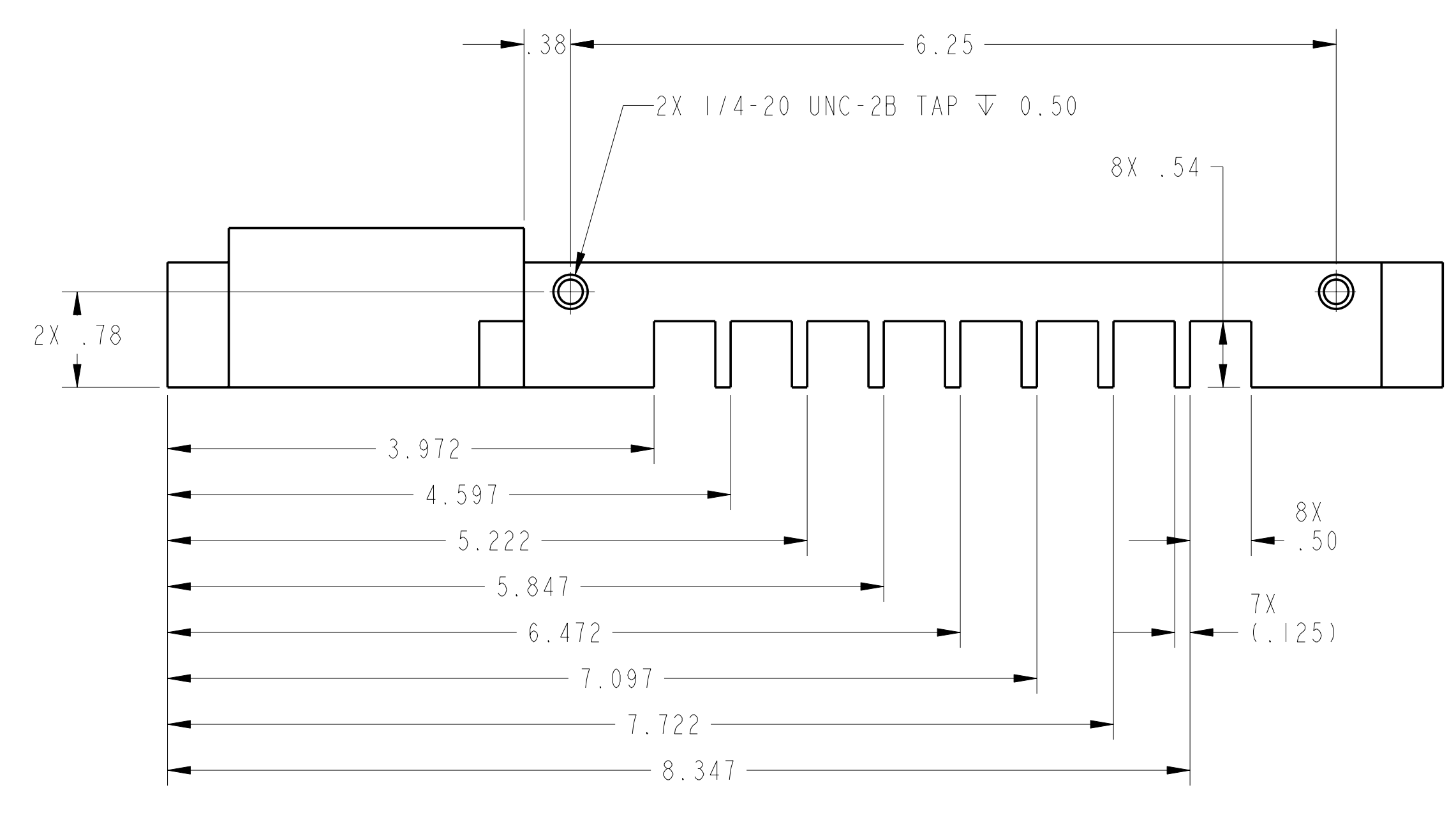


- NOTES:
1. INTERPRET DIMENSIONS AND TOLERANCES PER ANSI Y14.5M
 2. DIMENSIONS ARE IN INCHES
 3. DIMENSIONS APPLY AT ROOM TEMPERATURE. OPERATING TEMP 80 K.
 4. GEOMETRY IS DEFINED IN PRO ENGINEER CAD MODELS/FILES SEI406-135.PRT
 5. DRAWING AND MODELS COMBINED DEFINE FINISHED MACHINED PART.
 6. TOLERANCE X.XXX DIMENSIONS +/- .010



1 LOWER "B" FILL BLOCK

RELEASED FOR FABRICATION / INSTALLATION
 PPPL Drafting:

next assy	1	-1	LOWER "B" FILL BLOCK	G10		1
	CAGE CODE	PART OR IDENTIFYING NO	NOMENCLATURE OR DESCRIPTION	MATERIAL	SPECIFICATION	FIND NO
SEI406-010						
			NEXT ASSEMBLY		PARTS LIST	

NO REPRESENTATION OR WARRANTY, EXPRESSED OR IMPLIED, IS MADE AS TO THE ACCURACY, COMPLETENESS OR USEFULNESS OF THE INFORMATION OR STATEMENTS CONTAINED IN THESE DRAWINGS, OR THAT THE USE OR DISCLOSURE OF ANY INFORMATION, APPARATUS, METHOD OR PROCESS DISCLOSED IN THESE DRAWINGS MAY NOT INFRINGE PRIVATE RIGHTS OF OTHERS. NO LIABILITY IS ASSUMED WITH RESPECT TO THE USE OF, OR FOR DAMAGES RESULTING FROM THE USE OF, ANY INFORMATION, APPARATUS, METHOD OR PROCESS DISCLOSED IN THESE DRAWINGS. DRAWINGS MADE AVAILABLE FOR INFORMATION TO BIDDER ARE NOT TO BE USED FOR OTHER PURPOSES, AND ARE TO BE RETURNED UPON REQUEST OF THE FORWARDING CONTRACTOR.

P THIS DRAWING PRODUCED ON PRO-ENGINEER

REV	DESCRIPTION	BY	DATE	CHK	DEPT	DATE	PE	REQ	DATE	ORNL	DOE	DATE
0	INITIAL RELEASE	DEW	11/1									
	REVISION OR ISSUE PURPOSE											

SCALE 1:1	DES: PJ FPGARTY 10-1-04	UT-BATTELLE Oak Ridge National Laboratory managed for the DEPARTMENT OF ENERGY under U.S. GOVERNMENT contract DE-AC05-00OR22725 UT-BATTELLE, LLC, Oak Ridge, Tennessee PROJECT NAME NATIONAL COMPACT STELLARATOR EXPERIMENT
TOLERANCES UNLESS OTHERWISE SPECIFIED	DRW: T HARGROVE 10-12-04	
FRACTIONS	CHK: M COLE 10-14-04	
XX DECIMALS ±.01	DEPT: : :	
XXX DECIMALS ±.005	PE: D WILLIAMSON 10-14-04	TRC FILL BLOCK LOWER "B"
ANGLES ±0°15'	CR: : :	
FINISH .125 UNLESS OTHERWISE SPECIFIED	PJ: : :	
	REO: : :	
	PPPL DRFT J SIEGEL 10-14-04	VERSION NO. 7
		PLANT X-10
		BLDG 5700
		FL 3
		SHT OF 1
		TYPE I
		CLASS U
		RELEASE LEVEL Fabrication
		SEI406-135
		REV 0

H
G
F
E
D
C
B
A