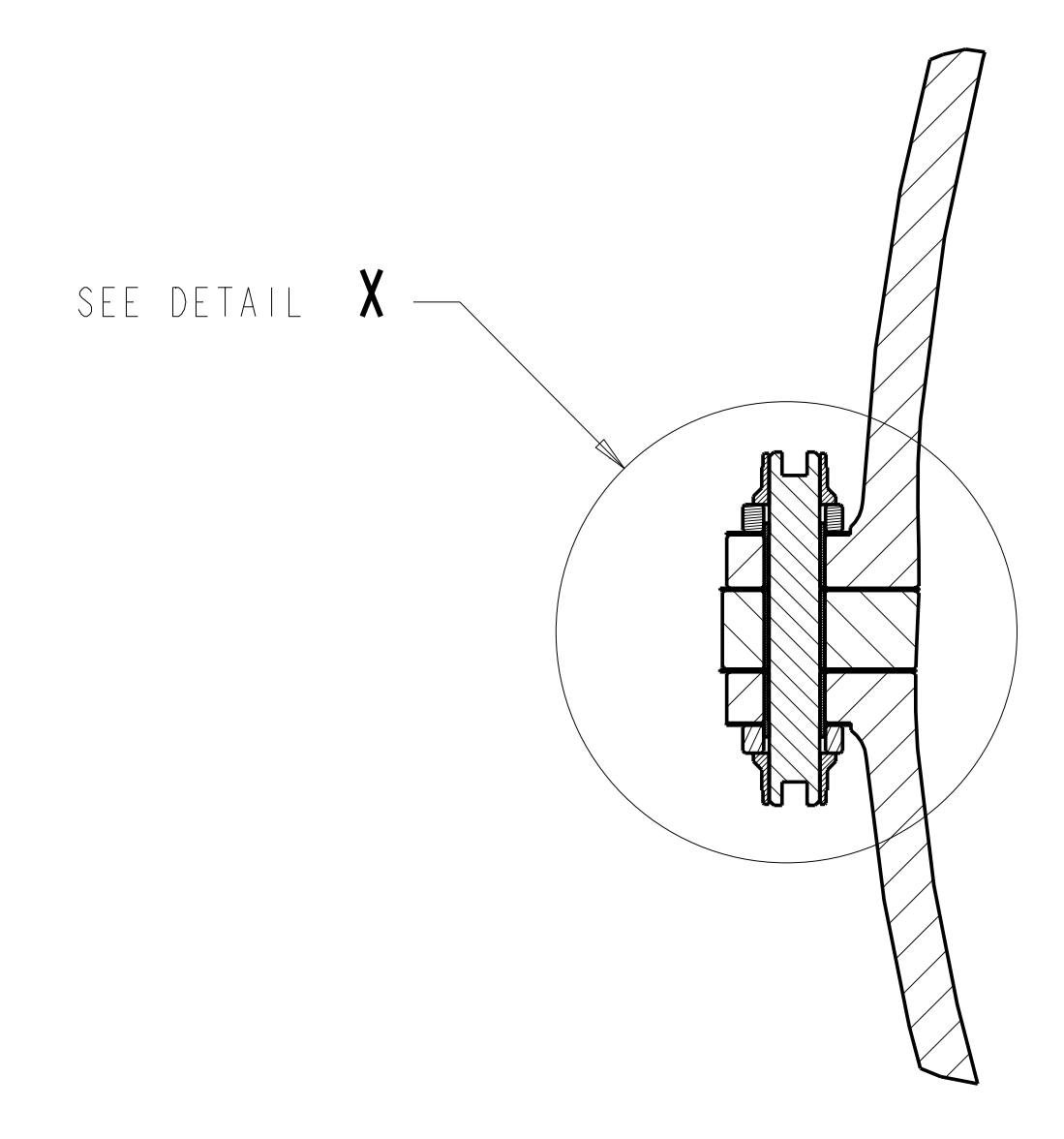
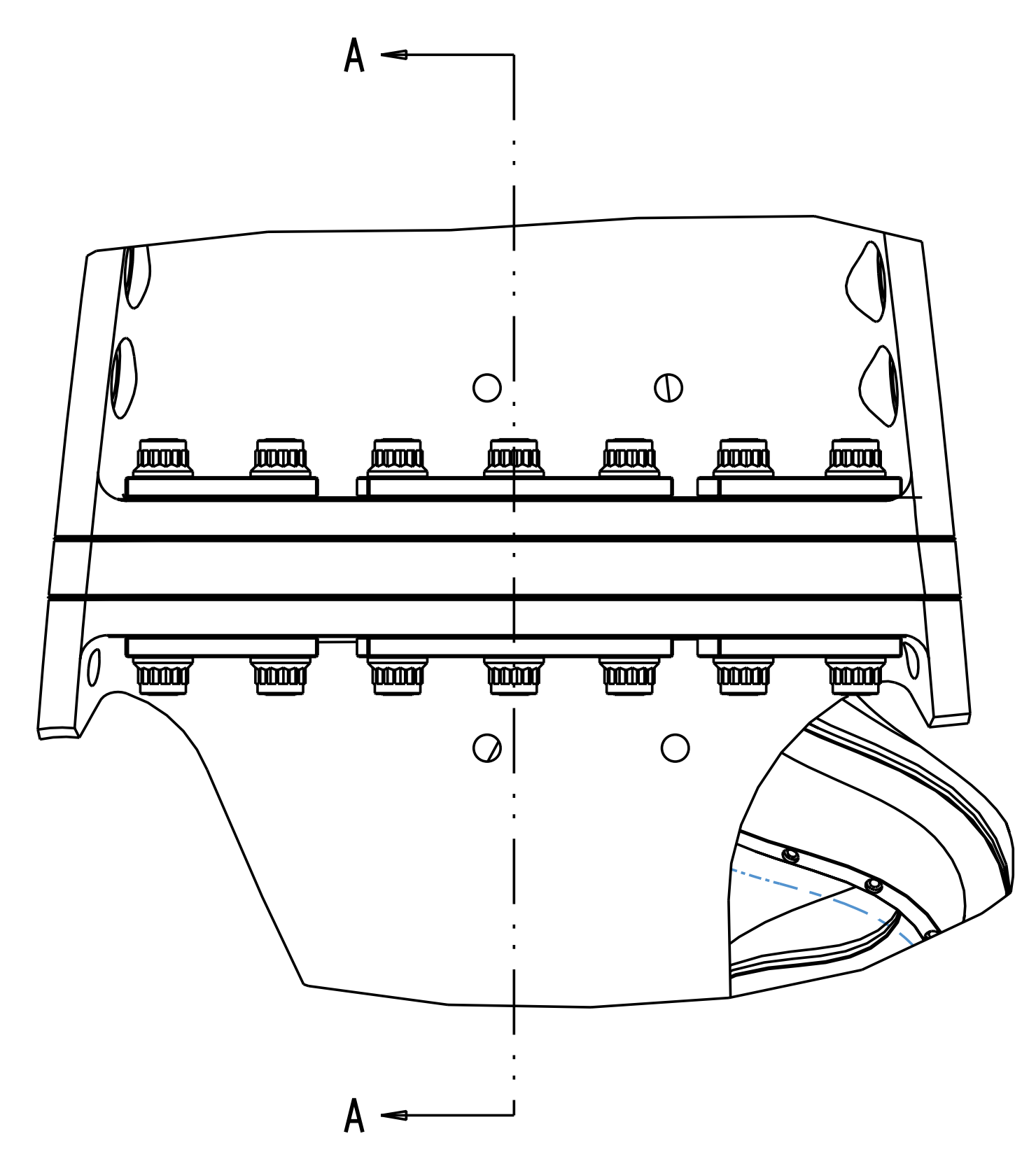


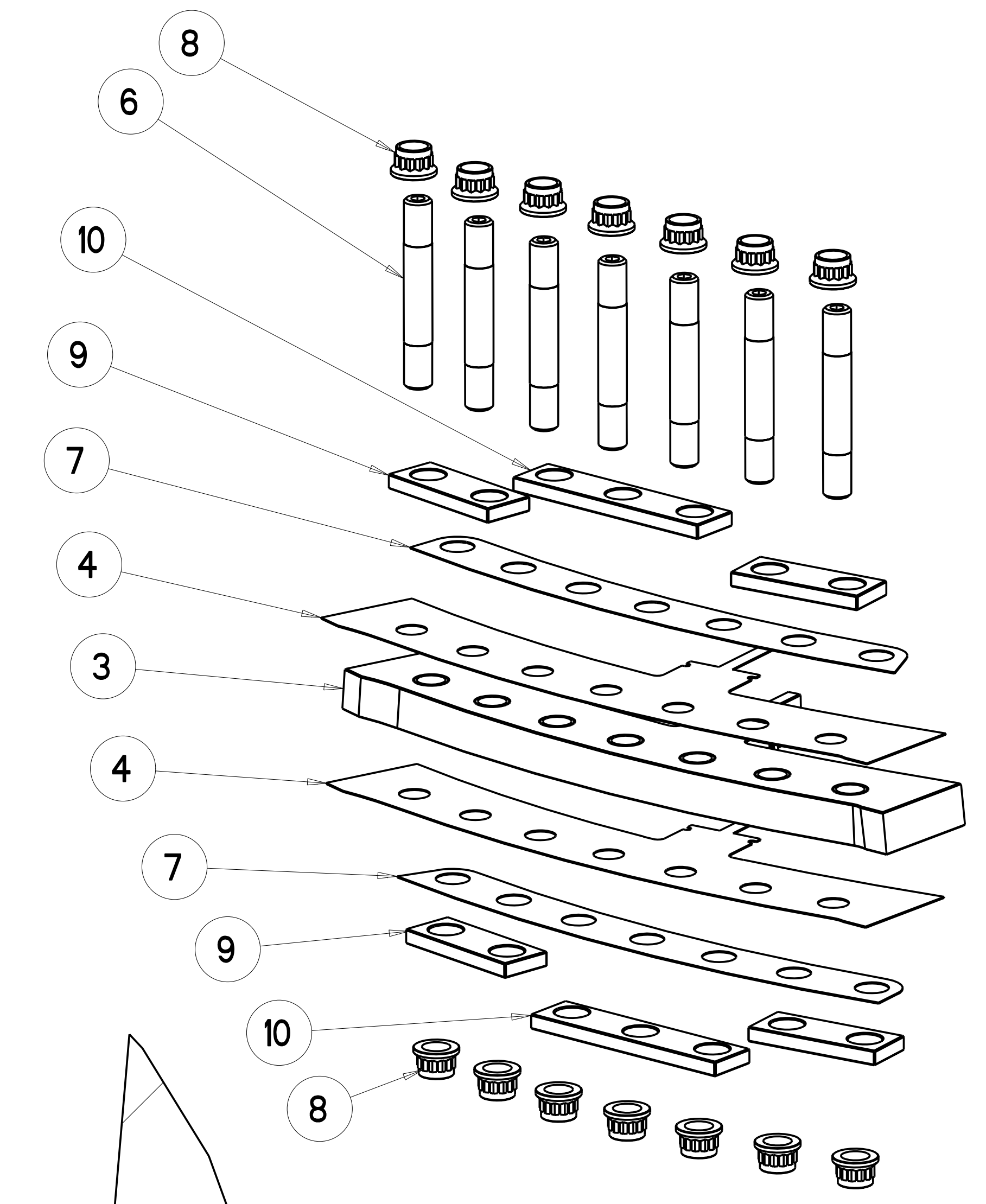




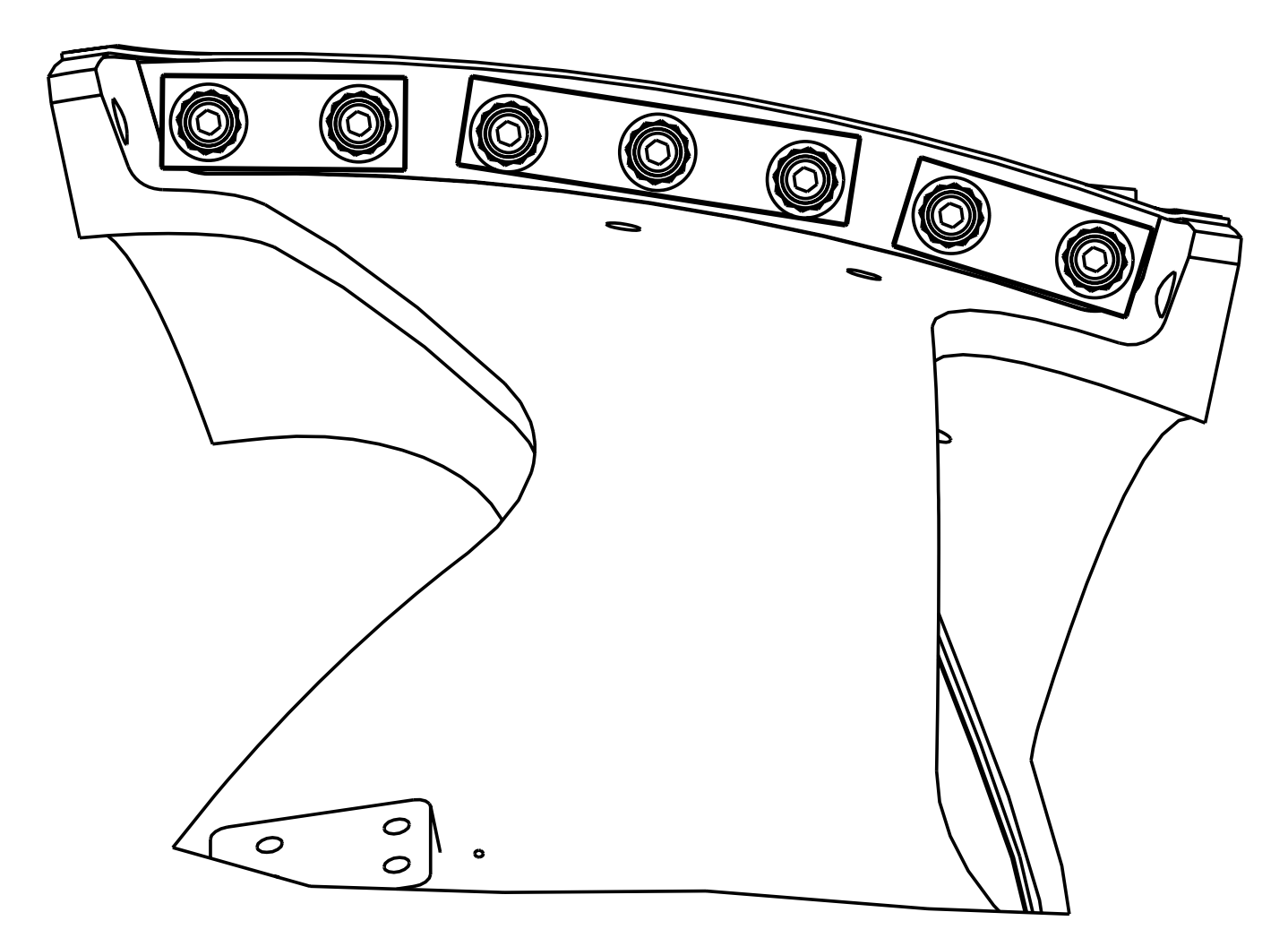
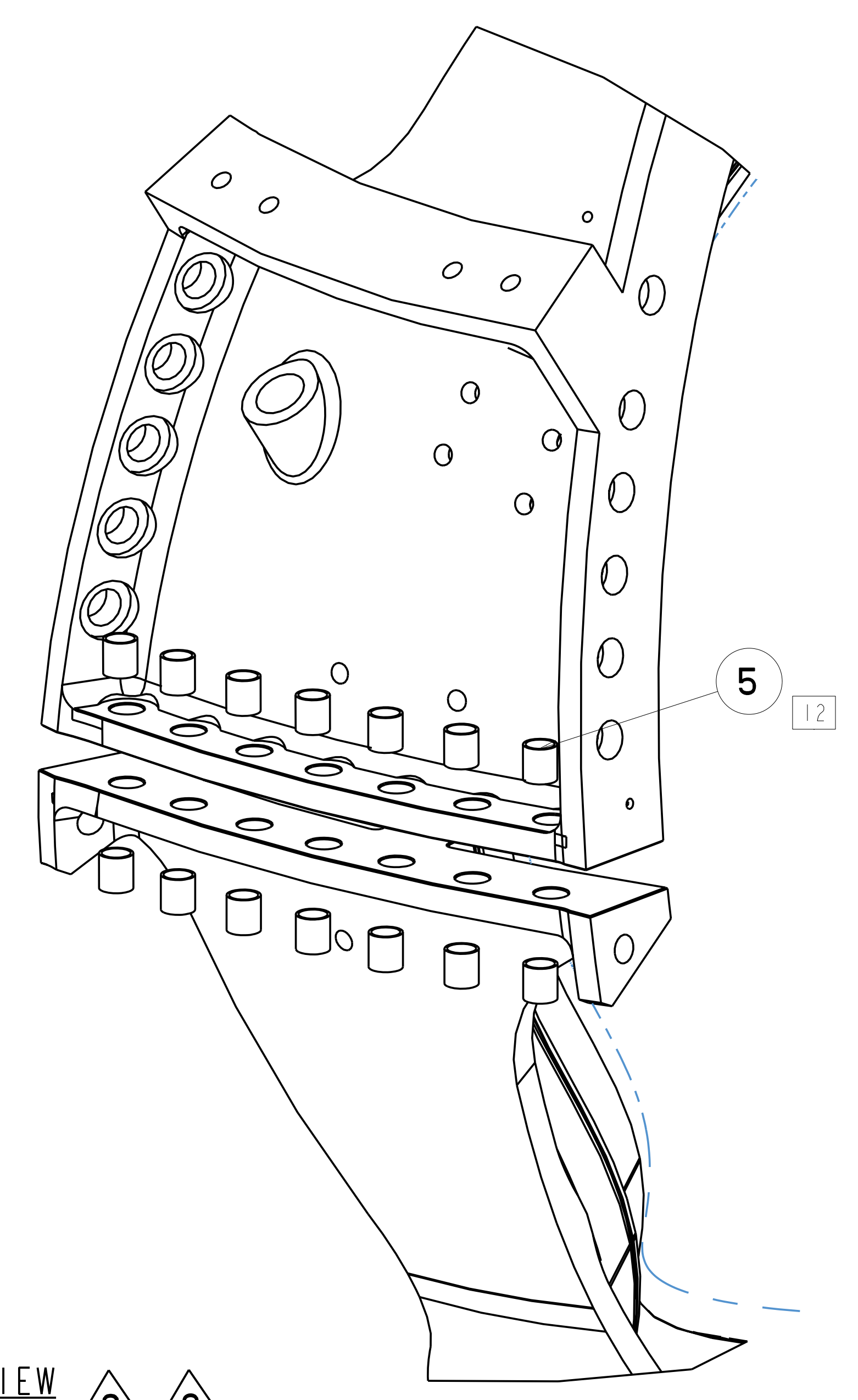
FOR NOTES AND PARTS LIST SEE SHEET 1



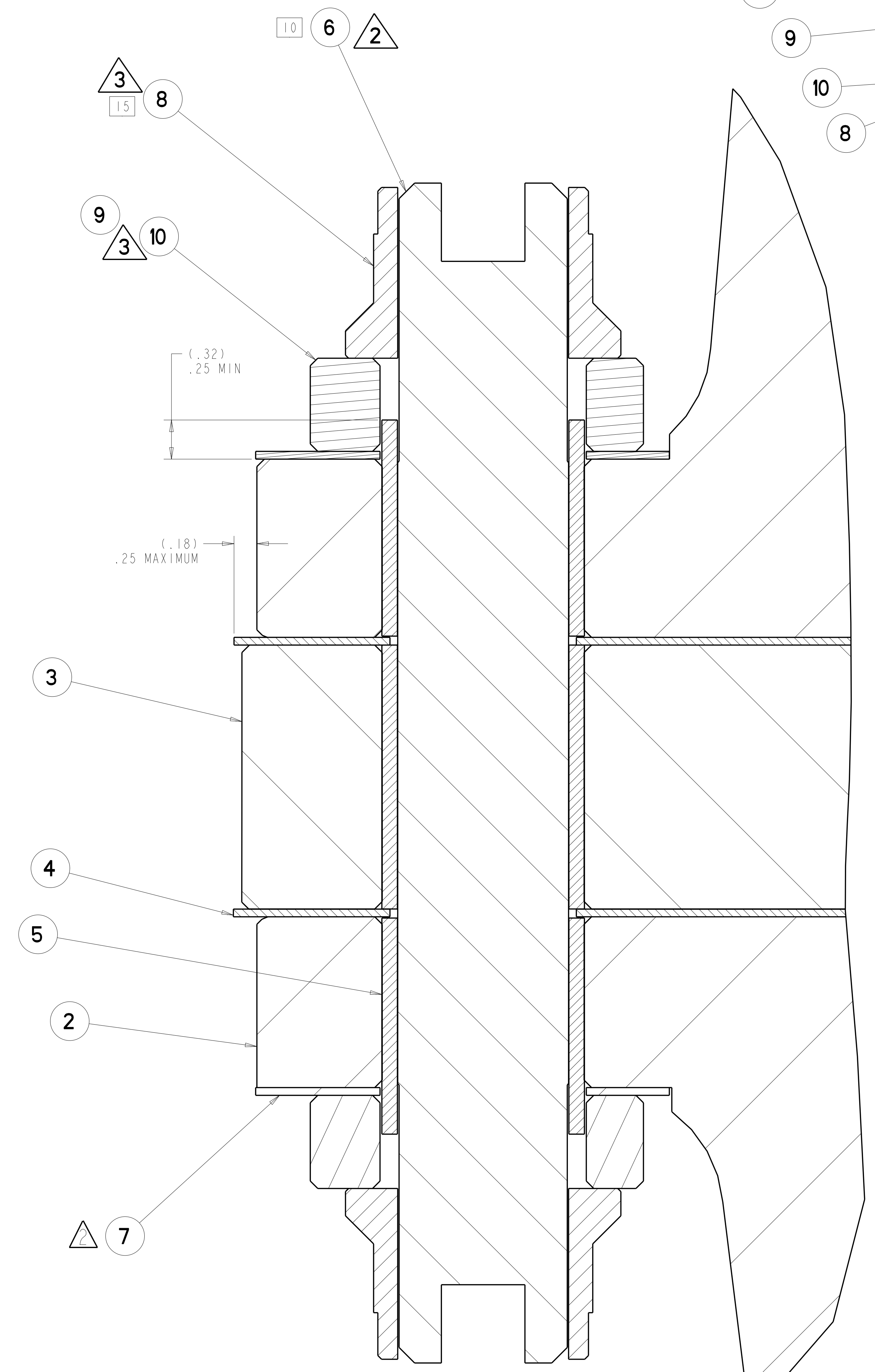
SECTION A-A  
 SCALE 0.20



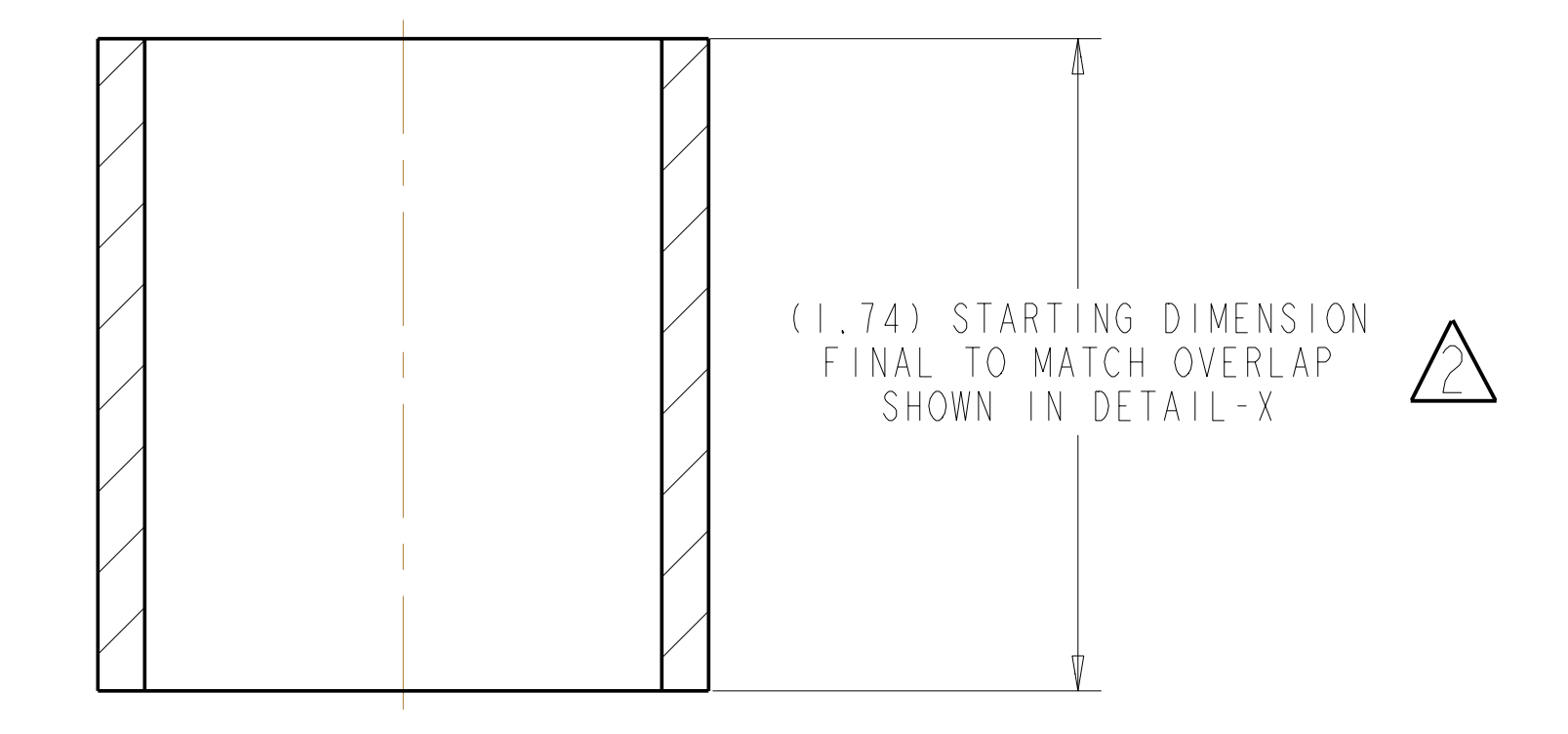
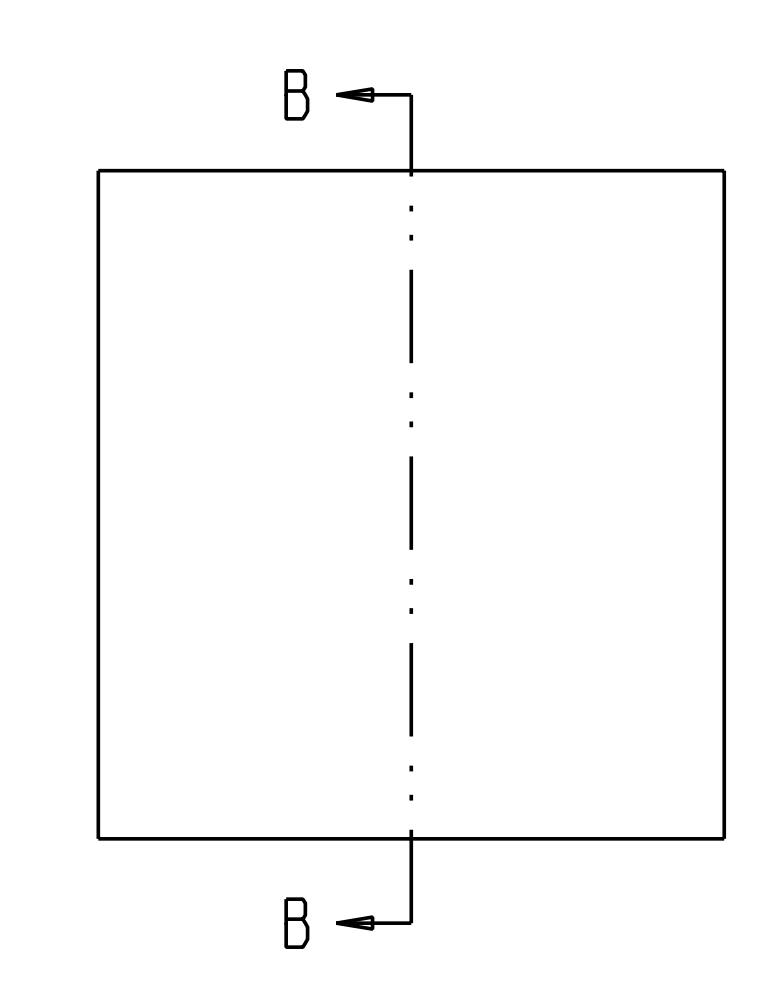
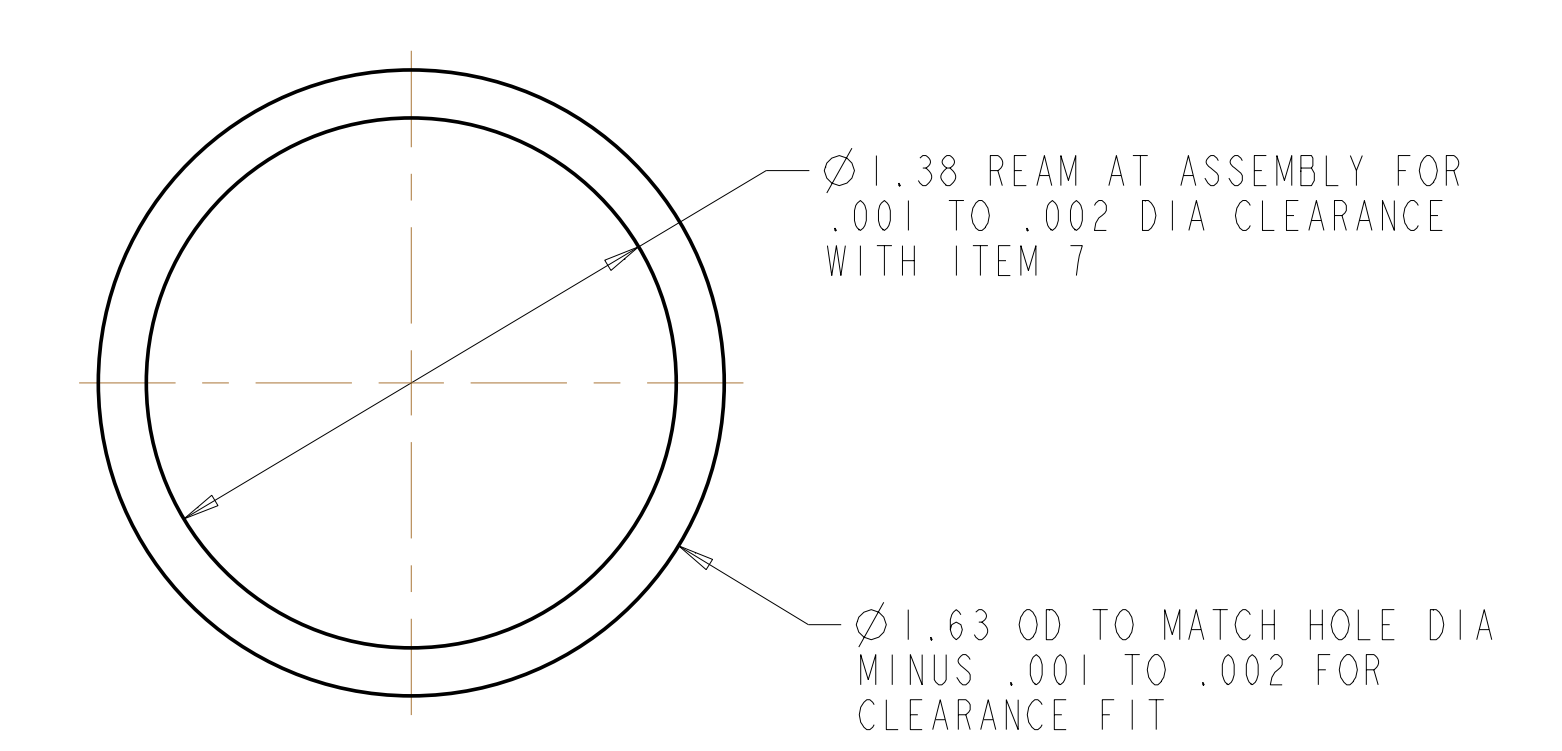
1 EXPLODED VIEW  
 SCALE 0.20



POLOIDAL BREAK DETAIL



DETAIL X  
 SCALE 2.00



5 SECTION B-B  
 SCALE 2.00

**ECN-5197 approved and decision made to apply ECN stamp vs. updating impacted drawings. This ECN prohibits the continued use of "Thred Gard" lubricant to bolts.**  
 (See ECN-5197 for Details)

**RELEASED FOR  
 FABRICATION / INSTALLATION**  
 PPPL Drafting:

Oak Ridge National Laboratory managed for the DEPARTMENT OF ENERGY under U.S. GOVERNMENT contract DE-AC05-00OR22725 UT-BATTELLE, LLC, Oak Ridge, Tennessee							
<b>UT-BATTELLE</b> NATIONAL COMPACT STELLARATOR EXPERIMENT							
MOD COIL WINDING FORM ASSEMBLY TYPE-A							
VERSION NO.	PLANT	BLDG	FL	SHT OF	TYPE	CLASS	
3	X-10	5700	3	2	S	U	
RELEASE LEVEL	SEI41-101						REV
Fabrication							3

H  
 G  
 F  
 E  
 D  
 C  
 B  
 A