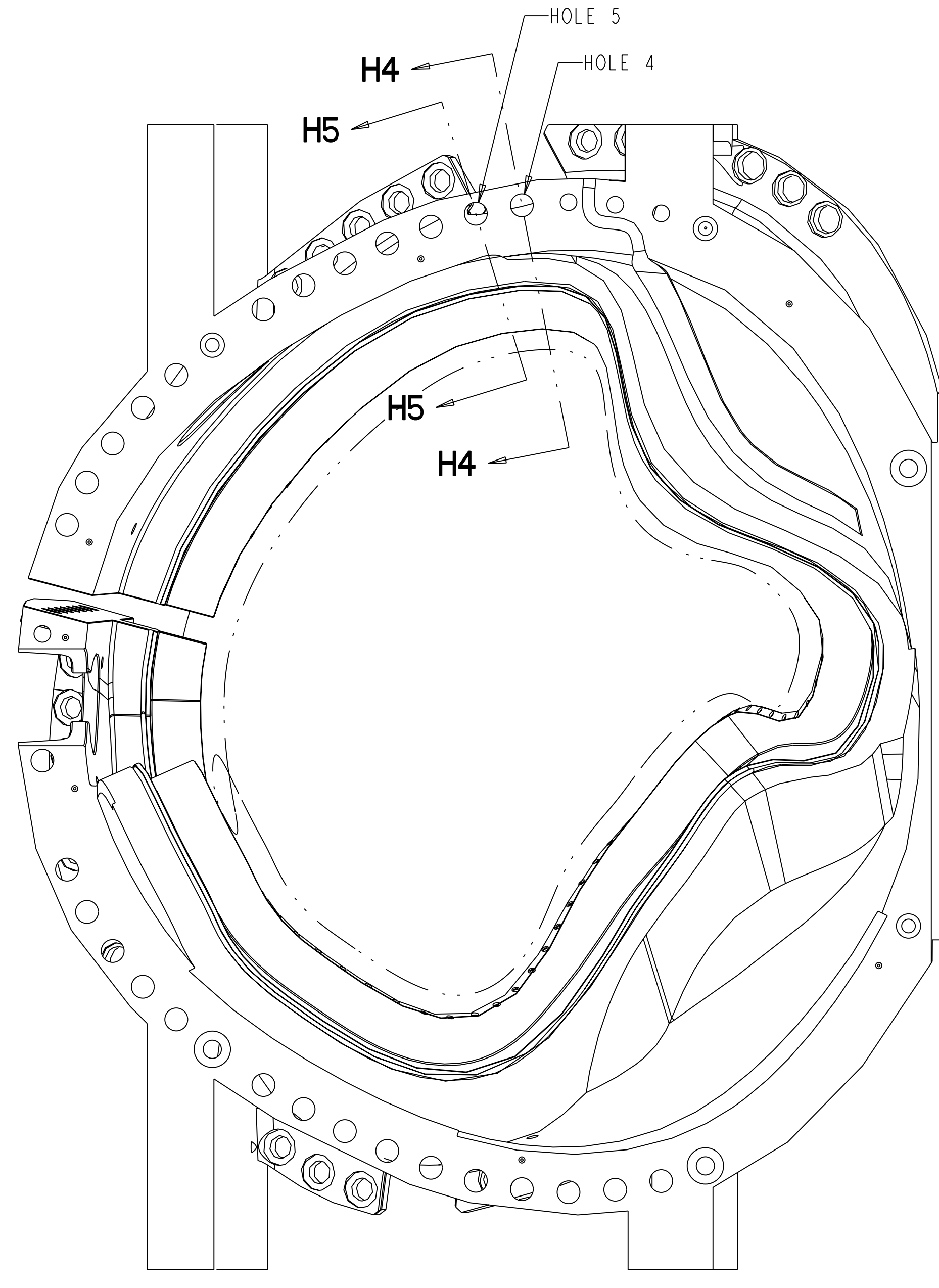
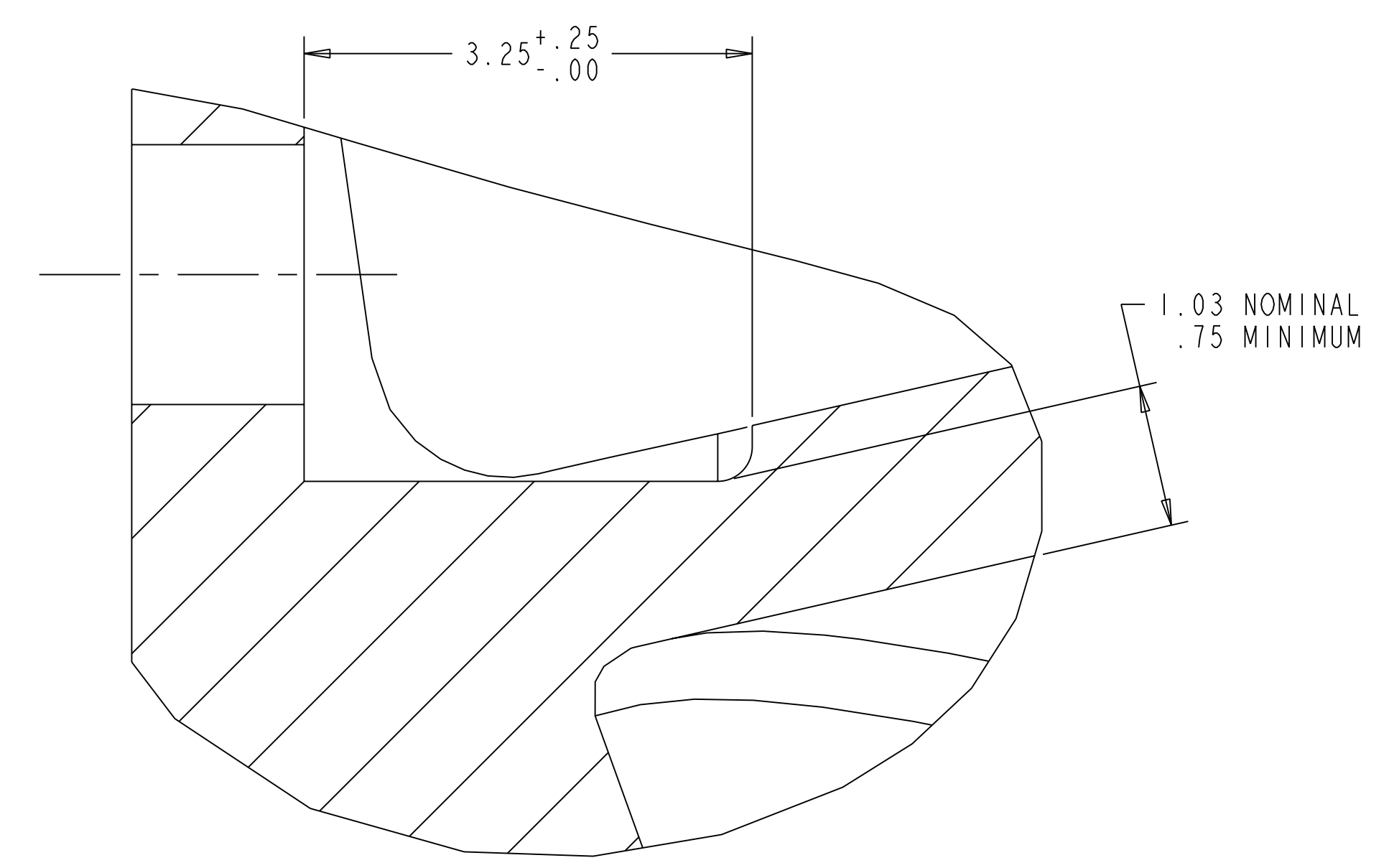


**C-B FLANGE VIEW**  
SCALE .125

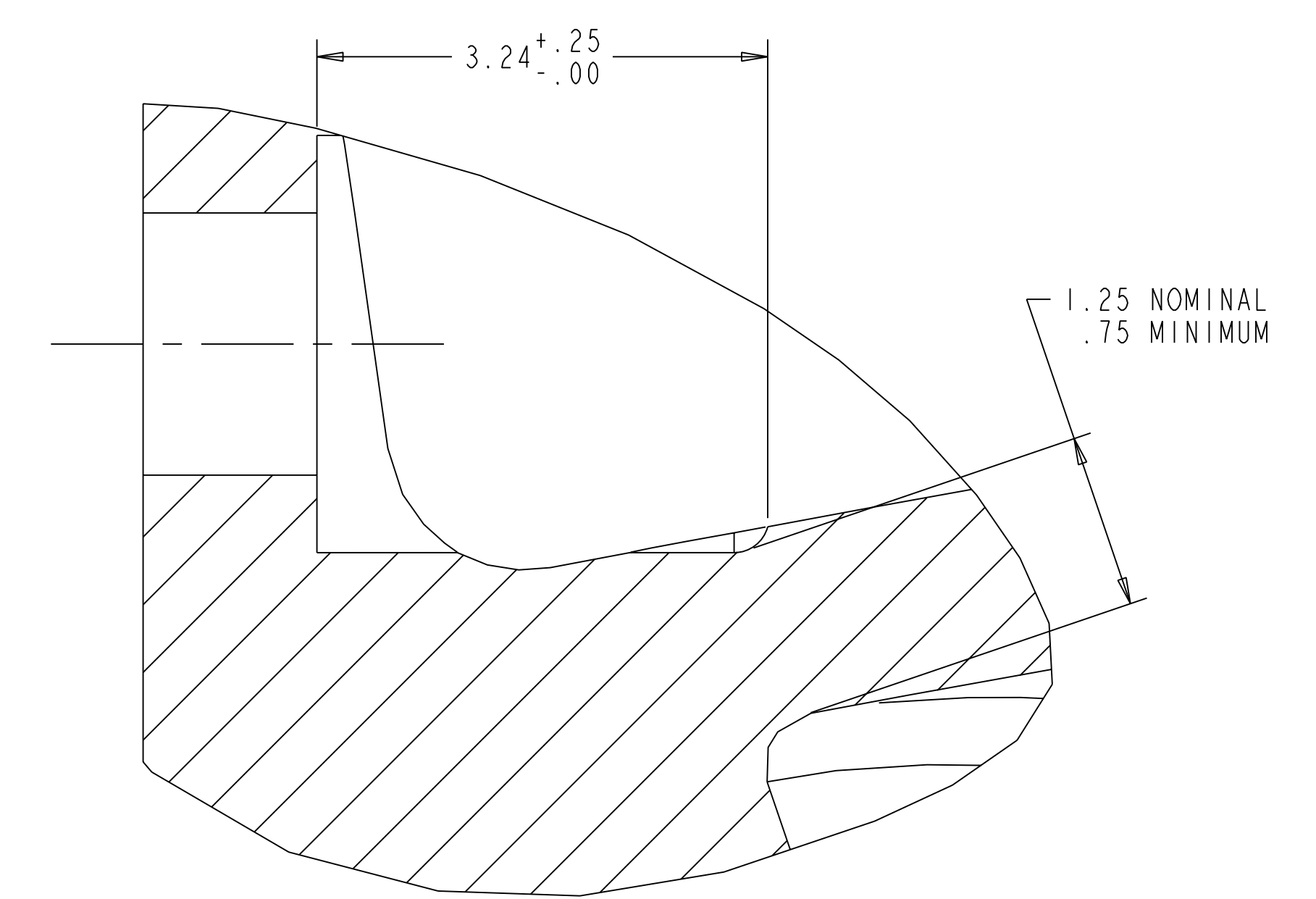


**C-C FLANGE VIEW**  
SCALE .125

HOLE NUMBERS REFERENCE DRAWING SEI41-116

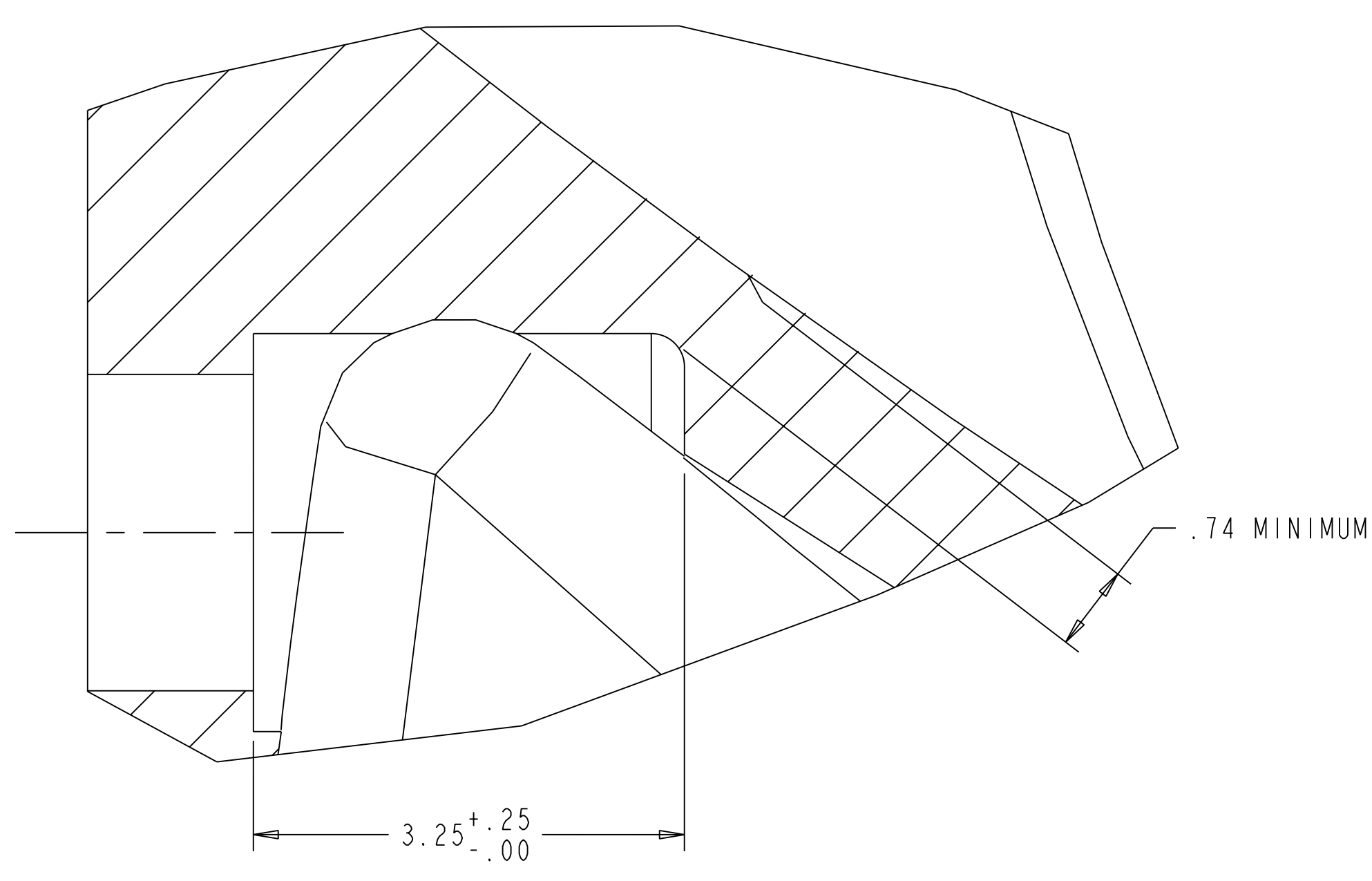


**SECTION H4-H4 AT HOLE 4**  
SCALE 1.00

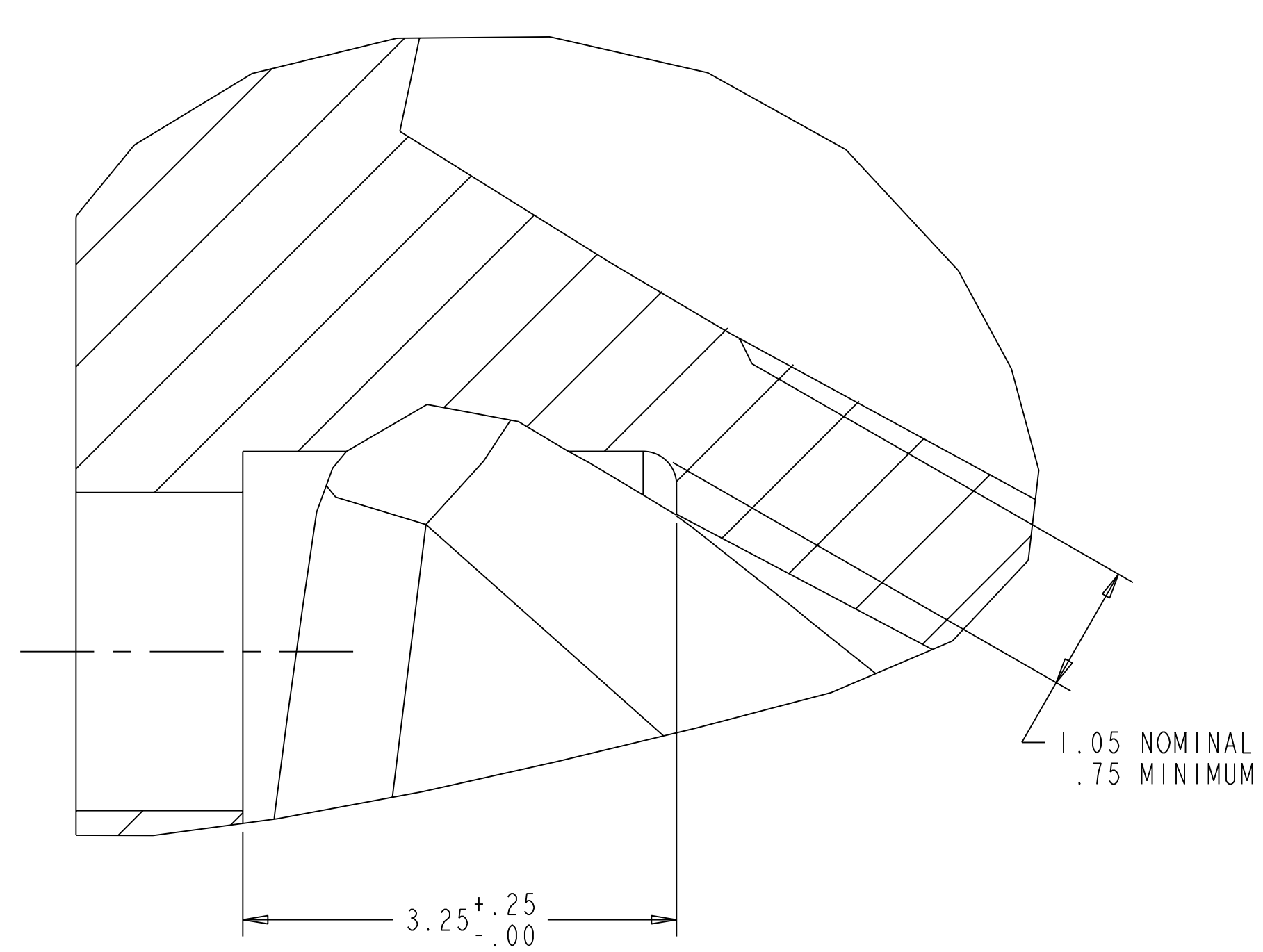


**SECTION H5-H5 AT HOLE 5**  
SCALE 1.00

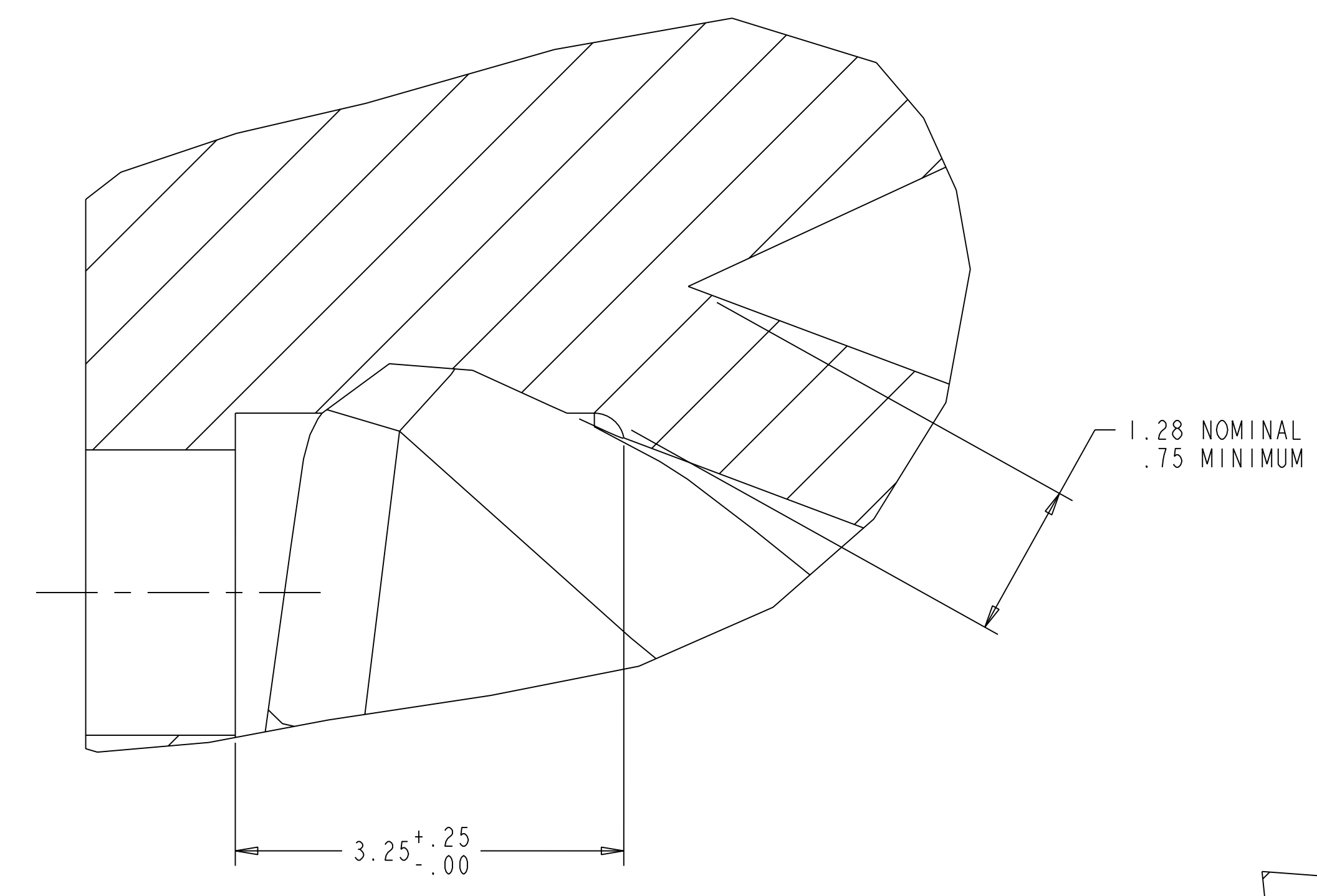
**ECN-5254 (RFD-14-028) approved deletion of wall thickness requirement on Section H26-H26 at Hole 26. This deviation is applicable to all Type C Modular Coils**



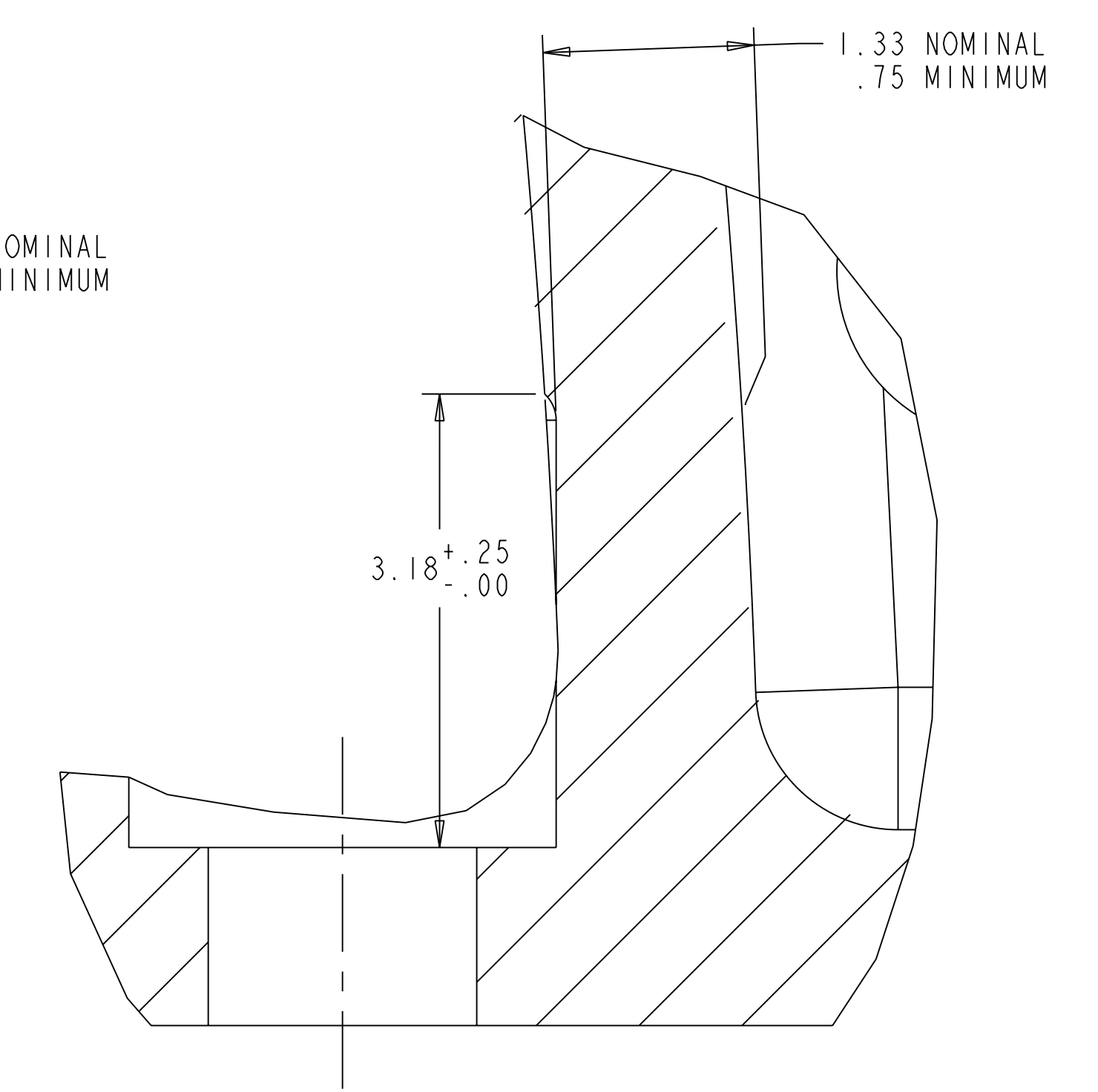
**SECTION H26-H26 AT HOLE 26**  
SCALE 1.00



**SECTION H25-H25 AT HOLE 25**  
SCALE 1.00



**SECTION H24-H24 AT HOLE 24**  
SCALE 1.00



**SECTION H19-H19 AT HOLE 19**  
SCALE 1.00

**GRIND AS SHOWN ON PART SEI41-116 - 6 PLACES**

NO REPRESENTATION OR WARRANTY, EXPRESSED OR IMPLIED, IS MADE AS TO THE ACCURACY, COMPLETENESS OR USEFULNESS OF THE INFORMATION OR STATEMENTS CONTAINED IN THESE DRAWINGS, OR THAT THE USE OR DISCLOSURE OF ANY INFORMATION, APPARATUS, METHOD OR PROCESS DISCLOSED IN THESE DRAWINGS MAY NOT INFRINGE PRIVATE RIGHTS OF OTHERS. NO LIABILITY IS ASSUMED WITH RESPECT TO THE USE OF, OR FOR DAMAGES RESULTING FROM THE USE OF, ANY INFORMATION, APPARATUS, METHOD OR PROCESS DISCLOSED IN THESE DRAWINGS. DRAWINGS MADE AVAILABLE FOR INFORMATION TO BIDDER ARE NOT TO BE USED FOR OTHER PURPOSES, AND ARE TO BE RETURNED UPON REQUEST OF THE FORWARDING CONTRACTOR.

**P** THIS DRAWING PRODUCED ON PRO-ENGINEER

**RELEASED FOR FABRICATION / INSTALLATION**  
PPPL Drafting:

REV	DESCRIPTION	BY	DATE	CHK	DEPT	DATE	PE	REQ	DATE	ORNL	DOE	DATE
0	ORIGINAL ISSUE	GM	05/07									
	REVISION OR ISSUE PURPOSE											

SCALE NOTED	DES: D WILLIAMSON 05/07
TOLERANCES UNLESS OTHERWISE SPECIFIED	DRW: G MCGINNIS 05/07
FRACTIONS ±.01	CHK: M COLE 05/07
XX DECIMALS ±.01	SECT: :
XXX DECIMALS ±.005	DEPT: :
ANGLES ±0°15'	FE: :
BREAK SHARP EDGES OR MAX FINISH .125 UNLESS OTHERWISE SPECIFIED	CR: :
	PJ: :
	RD: :
	PPPL DRFT J SIEGEL 05/07
	VERSION NO. 4
	PLANT ORNL
	BLDG 5700
	FL 3
	SHT 1
	OF 1
	TYPE S
	CLASS U
	REV 0

Oak Ridge National Laboratory managed for the DEPARTMENT OF ENERGY under U.S. GOVERNMENT CONTRACT DE-AC05-00OR22725 UT-BATTELLE, LLC, Oak Ridge, Tennessee	
PROJECT NAME: NATIONAL COMPACT STELLARATOR EXPERIMENT	
C MODULAR COIL FLANGE NUT CLEARANCE	
RELEASE LEVEL	SEI41-116G
Fabrication	