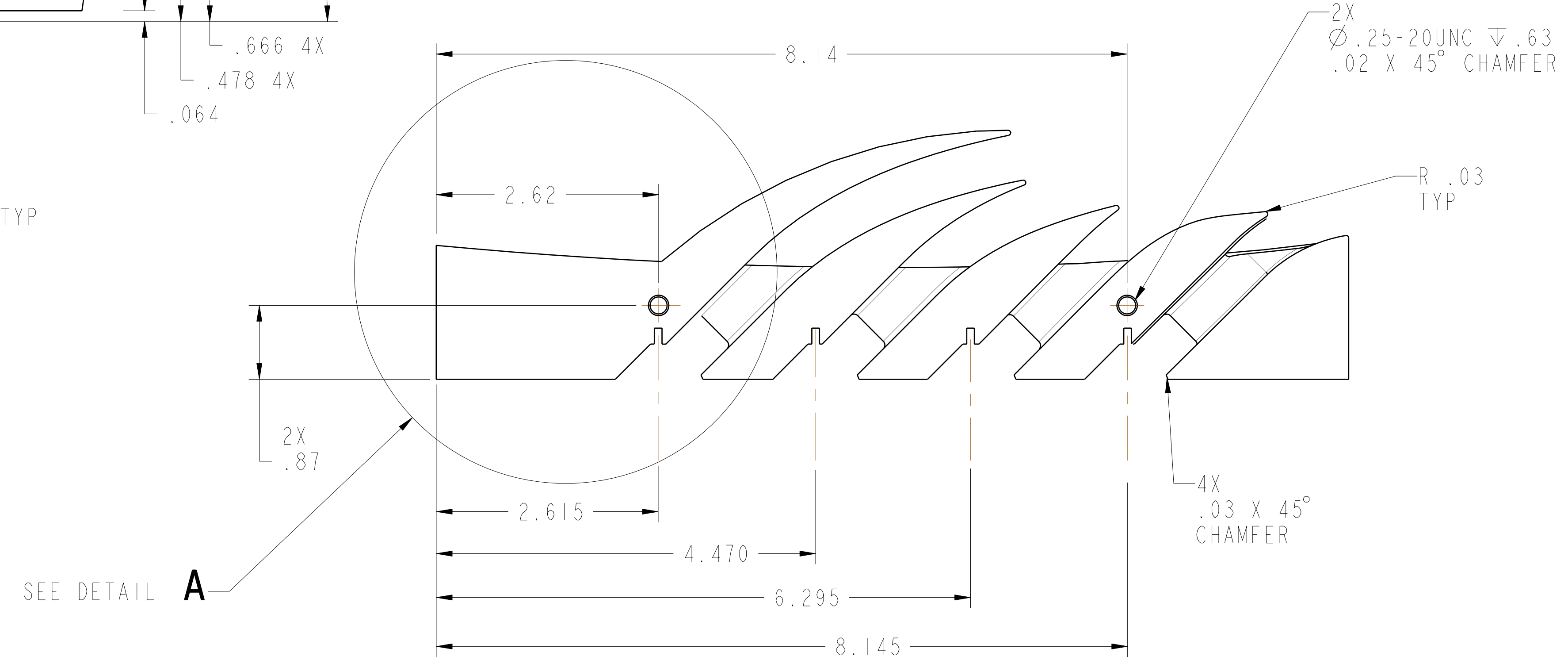
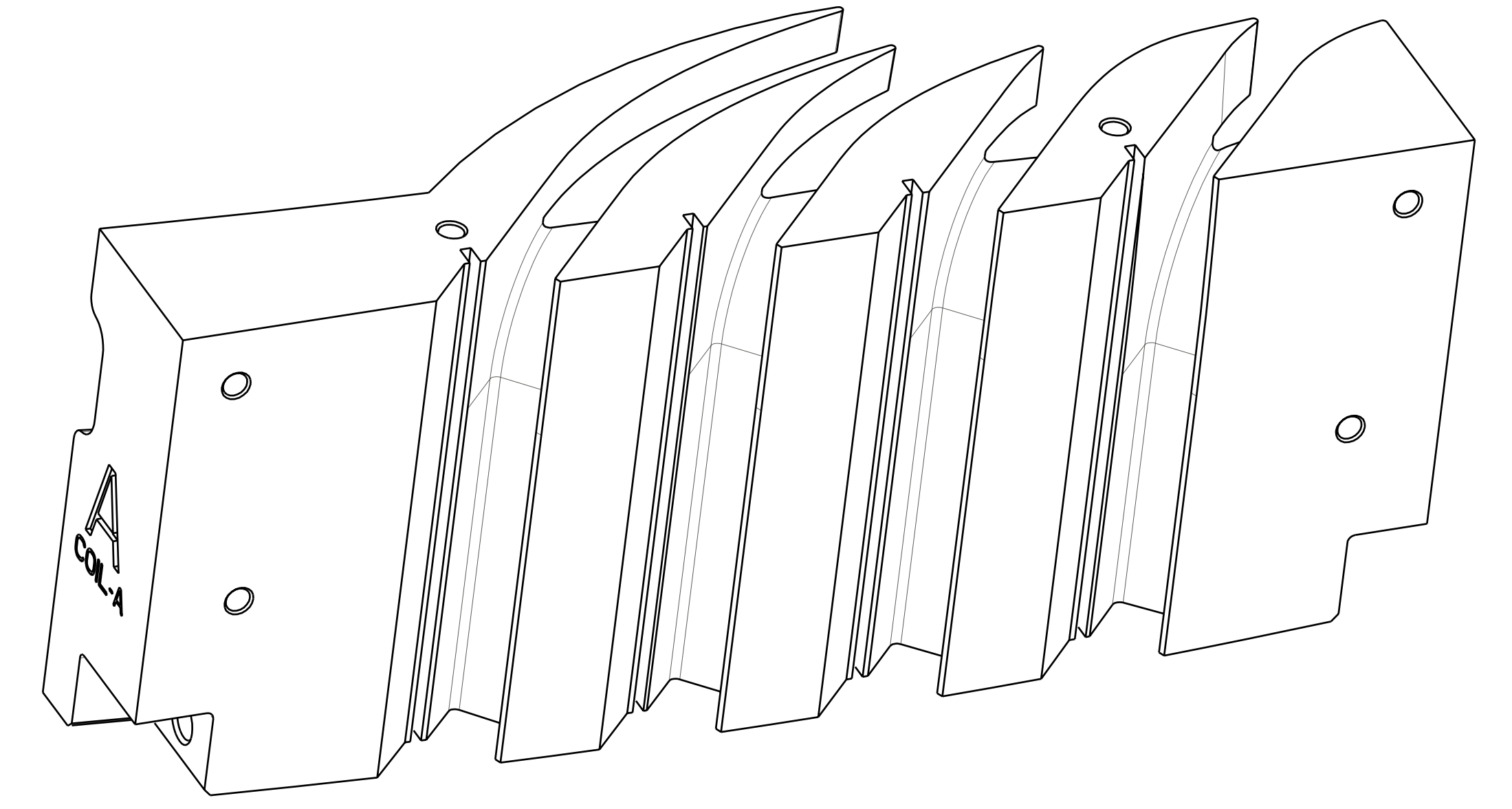


DETAIL A
SCALE 2.00

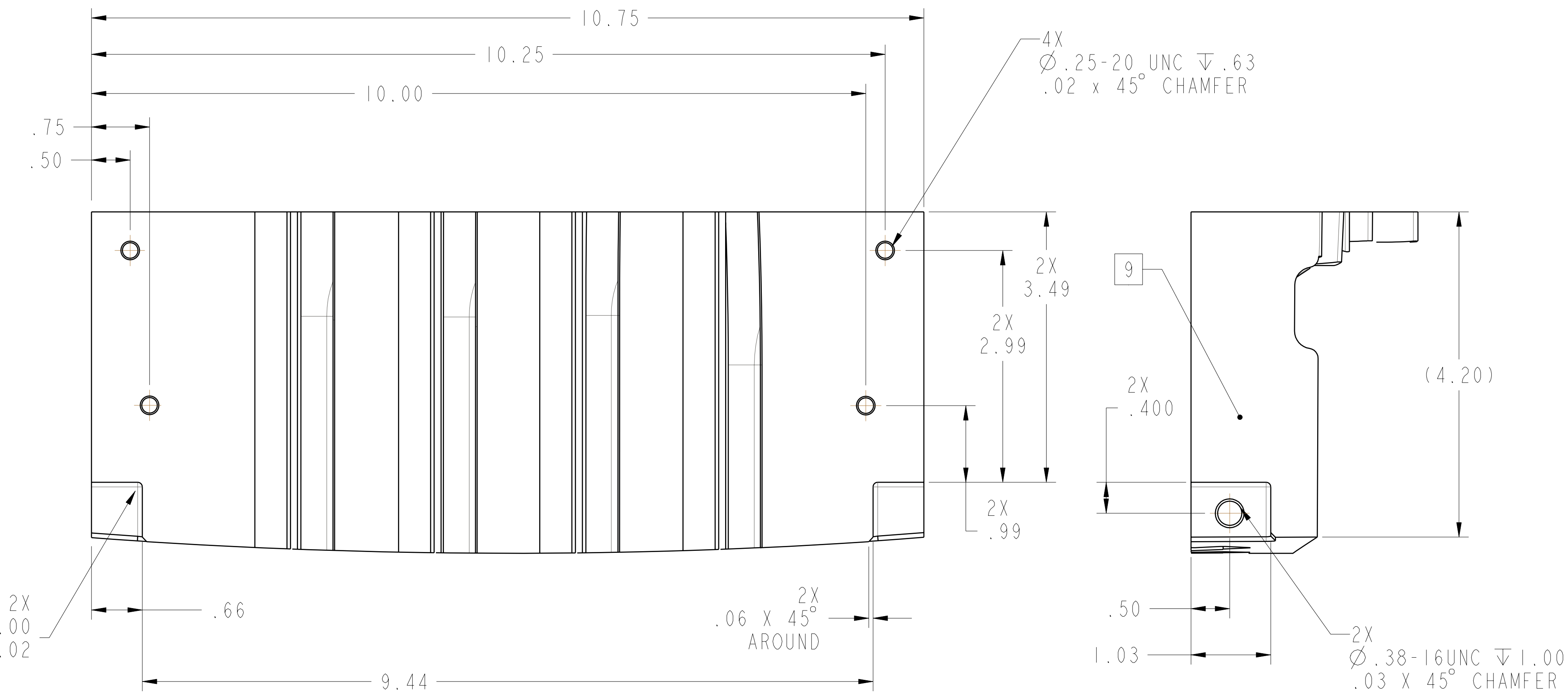
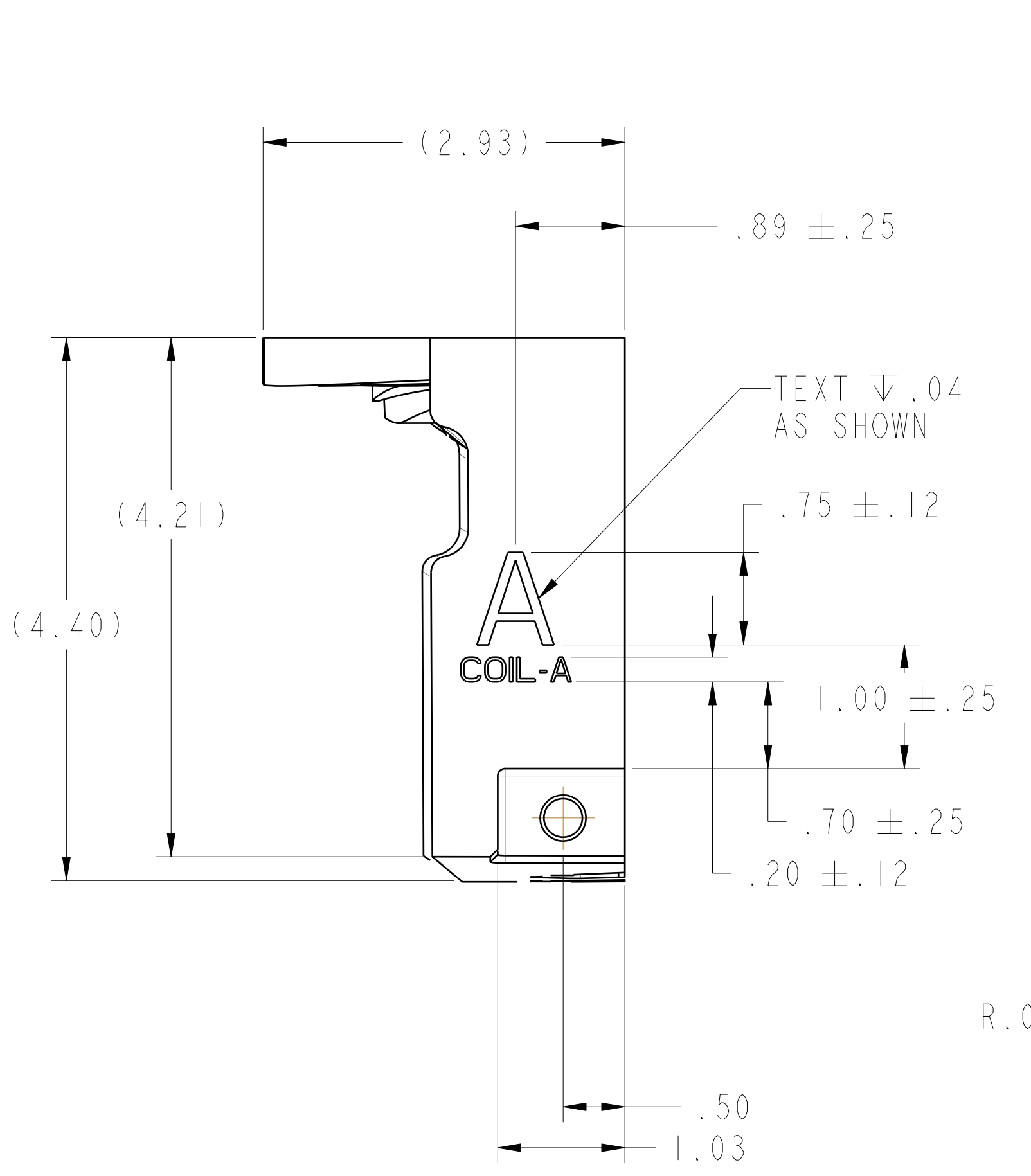


SEE DETAIL A

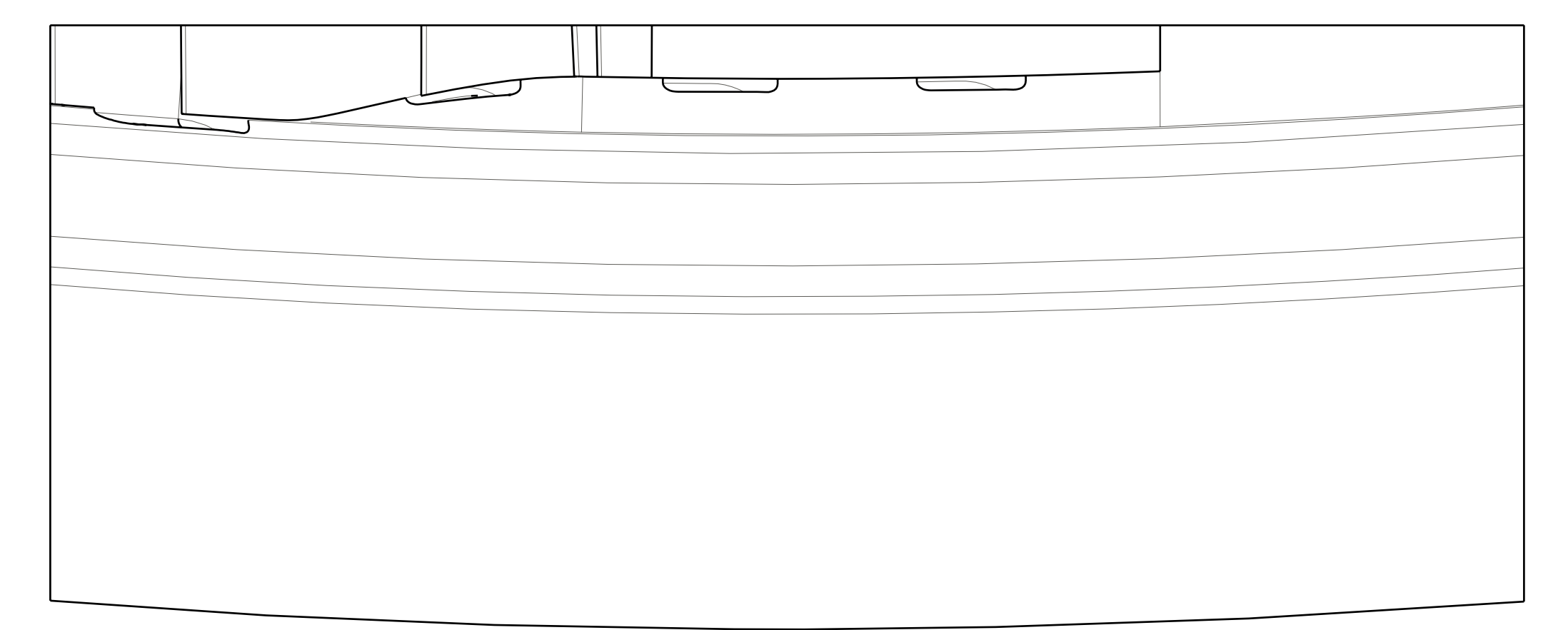
- NOTES:
- DRAWING PREPARED IN ACCORDANCE WITH ASME Y14.100-2000.
 - INTERPRET DIMENSIONS AND TOLERANCES PER ANSI Y14.5M
 - DIMENSIONS ARE IN INCHES
 - DIMENSIONS APPLY AT ROOM TEMPERATURE. OPERATING TEMP 80 K.
 - GEOMETRY IS DEFINED IN PRO ENGINEER CAD MODELS/FILES SEI42A-136.PRT
 - DRAWING AND MODELS COMBINED DEFINE FINISHED MACHINED PART.
 - IN THE EVENT OF A DISCREPANCY BETWEEN THE CAD MODEL AND DRAWING, THE CAD MODEL SHALL TAKE PRECEDENCE.
 - UNLESS OTHERWISE SPECIFIED, MACHINED SURFACES SHALL HAVE A PROFILE TOLERANCE = +/- 0.01 IN.
 - MARK DRAWING NUMBER AND REVISION WITH 3/16 INCH HIGH LETTERS IN THE AREA SHOWN.



ISOMETRIC VIEW
SCALE 1.00



1
SCALE 1.00
WEIGHT = 4.0 LB



RELEASED FOR FABRICATION / INSTALLATION
PPPL Drafting:

AR	-1	SIDE "A" UPPER LEAD BLOCK	NEMA GRADE G11CR			
next assy	CAGE CODE	PART OR IDENTIFYING NO	NOMENCLATURE OR DESCRIPTION	MATERIAL	SPECIFICATION	FIND NO
SEI42A-136						
			PPPL DRFT J SIEGLE			

PARTS LIST

NO REPRESENTATION OR WARRANTY, EXPRESSED OR IMPLIED, IS MADE AS TO THE ACCURACY, COMPLETENESS OR USEFULNESS OF THE INFORMATION OR STATEMENTS CONTAINED IN THESE DRAWINGS, OR THAT THE USE OR DISCLOSURE OF ANY INFORMATION, APPARATUS, METHOD OR PROCESS DISCLOSED IN THESE DRAWINGS MAY NOT INFRINGE PRIVATE RIGHTS OF OTHERS. NO LIABILITY IS ASSUMED WITH RESPECT TO THE USE OF, OR FOR DAMAGES RESULTING FROM THE USE OF, ANY INFORMATION, APPARATUS, METHOD OR PROCESS DISCLOSED IN THESE DRAWINGS. DRAWINGS MADE AVAILABLE FOR INFORMATION TO BIDDER ARE NOT TO BE USED FOR OTHER PURPOSES, AND ARE TO BE RETURNED UPON REQUEST OF THE FORWARDING CONTRACTOR.

P THIS DRAWING PRODUCED ON PRO-ENGINEER

REV	DESCRIPTION	BY	DATE	CHK	DEPT	DATE	PE	REQ	DATE	ORNL	DOE	DATE

SCALE NOTED		DES: P FOGARTY	02/06
TOLERANCES UNLESS OTHERWISE SPECIFIED		DRW: G LOVETT	02/06
FRACTIONS ± .01		CHK: M COLE	02/06
XXX DECIMALS ± .005		SECT: :	
ANGLES ± 0°15'		DEPT: :	
BREAK SHARP EDGES .06 MAX		PE: D WILLIAMSON	02/06
FINISH .125 UNLESS OTHERWISE SPECIFIED		CR: :	
		PJ: :	
		RED: :	
		PPPL DRFT J SIEGLE	02/06
		REVISION APPROVALS	DATE

UT-BATTELLE			
Oak Ridge National Laboratory managed for the DEPARTMENT OF ENERGY under U.S. GOVERNMENT CONTRACT DE-AC05-00OR22725 UT-BATTELLE, LLC, Oak Ridge, Tennessee			
NATIONAL COMPACT STELLARATOR EXPERIMENT			
MODULAR COIL TYPE-A SIDE-A UPPER LEAD BLOCK DETAIL			
VERSION NO.	PLANT	BLDG	FL SHT OF TYPE CLASS
14	X-10	5700	3 1 1 S U
RELEASE LEVEL	Fabrication		REV 0

SEI42A-136