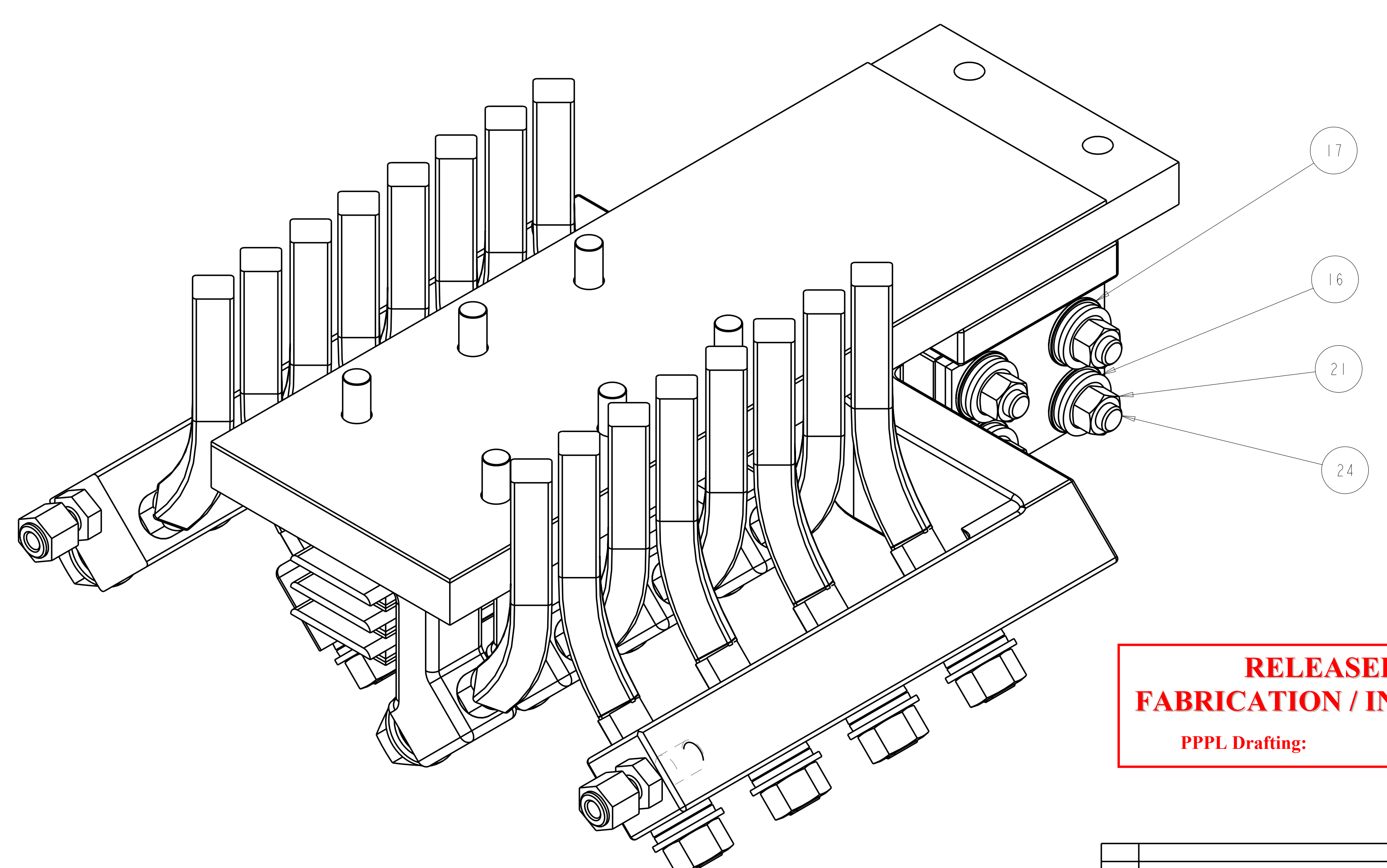
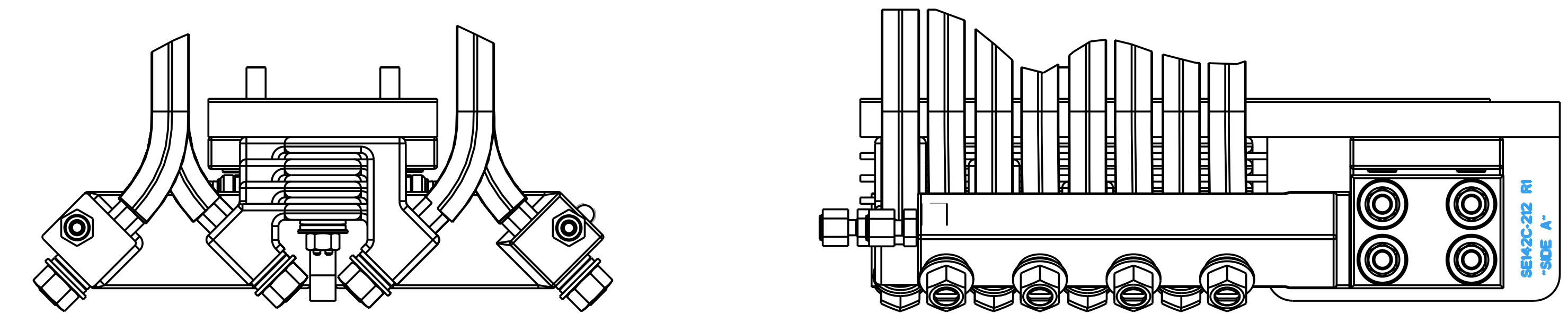
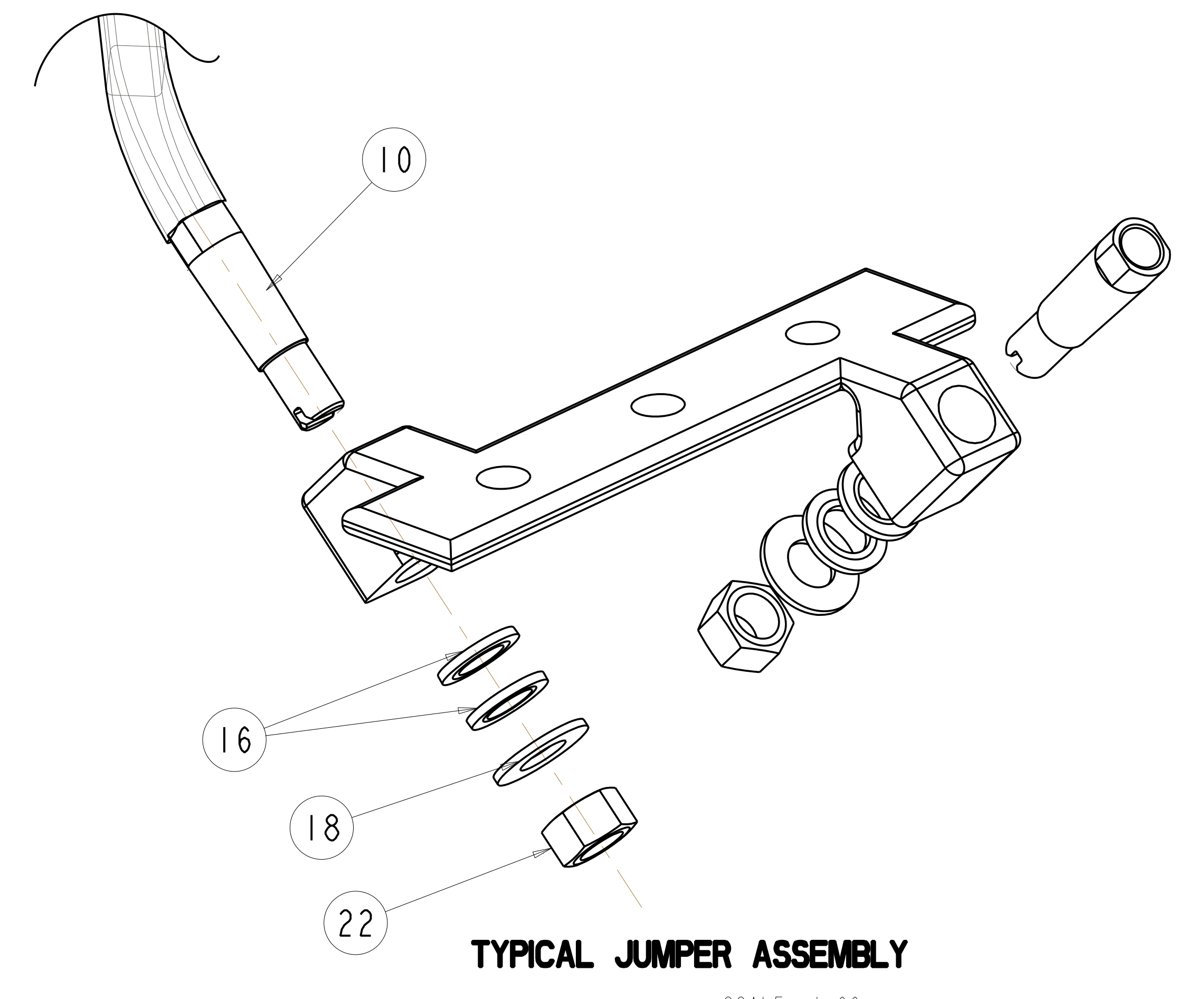


- NOTES:
- DRAWING PREPARED IN ACCORDANCE WITH ASME Y14.100-2000.
  - INTERPRET DIMENSIONS AND TOLERANCES PER ANSI Y14.5M-1994
  - DIMENSIONS ARE IN INCHES
  - DIMENSIONS APPLY AT ROOM TEMPERATURE. OPERATING TEMP 80 K.
  - MAGNETIC PERMEABILITY NOT TO EXCEED 1.02 AS TESTED BY A SEVERN INDICATOR, AVAILABLE FROM: SEVERN ENGINEERING 555 OLD STAGE RD., SUITE 14 AUBURN, ALABAMA 36830
  - AVAILABLE FROM: SOLON MANUFACTURING 7 ISLAND AVENUE SKOWHEGAN, ME 04976-1102 CAGE CODE: 5L934 PHONE: 207-474-6213 FAX: 207-474-7320
  - AVAILABLE FROM: McMASTER CARR 600 COUNTY LINE RD ELMHURST, IL 60126 CAGE CODE: 39428 PHONE: 630-833-0300



**RELEASED FOR FABRICATION / INSTALLATION**  
PPPL Drafting:

REV	QTY	DESCRIPTION	MATERIAL / SPECIFICATION	FIND NO
4		-25	INS BUSHING, 0.63 OD X.38 ID X 3.50 LNG NEMA GRADE, G-11CR	25
4		-24	STUD, 3/8-16 UNC X 5.50 LNG SS UNS S31600	24
10		-23	SCREW, 3/8-16UNC X 1.0 LNG HEX SOC HD CAP SS UNS S31600	23
16		-22	NUT 1/2-13 UNC STANDARD HEX SS UNS S31600	22
11		-21	NUT 3/8-16 UNC STANDARD HEX SS UNS S31600	21
3		-20	INS BUSHING, 0.5 OD X.38 ID X1.88 LNG NEMA GRADE, G-11CR	20
2		SS-4-VCO-6-400	SWAGelok TUBE FITTING SS UNS S31600	19
6	16	39428	91950A033 WASHER, .53 ID 1.06 OD .08 THK FLAT SS UNS S31600	18
6	11	39428	91525A140 WASHER, .406 ID X 1.5 OD X .06 THK SS UNS S31600	17
6	54	5L934	8f89718 WASHER, BELLEVILLE .515 ID X .9 OD X .10 HT, .010 DEF 3300 LBS INCONEL 718	16
2		SE142C-260	SPACER, TEMPORARY	15
2		SE142C-254	CONDUCTOR INSULATING PLATE	14
3		SE142C-222	LEAD BLOCK THREADED STUD	13
1		SE142C-212	INSULATING SPACER	12
1		SE142C-211	INSULATING SHEET DETAIL	11
16		SE142C-059	TYPE-C CABLE CONNECTOR	10
1		SE142C-056	TERMINAL LUG - SIDE-B - LONG	9
1		SE142C-055	TERMINAL LUG - SIDE-A - SHORT	8
1		SE142C-054	TYPE-C TERMINAL JUMPER #4	7
1		SE142C-053	TYPE-C TERMINAL JUMPER #3	6
1		SE142C-052	TYPE-C TERMINAL JUMPER #2	5
1		SE142C-051	TYPE-C TERMINAL JUMPER #1	4
3		SE142C-049	JUMPERS INS SHEET DETAIL	3
1		SE142C-047	JUMPERS BASE BLOCK ASM	2
AR	X	-1	TYPE-C LEADS TERMINAL ASSEMBLY	1
SE140-103				

REV	DESCRIPTION	BY	DATE	CHK	DEPT	DATE	PE	REQ	DATE	DRNL	DOE	DATE

SCALE NOTED	DES: P FOGARTY 08/05	UT-BATTELLE	Oak Ridge National Laboratory managed for the DEPARTMENT OF ENERGY under U.S. GOVERNMENT contract DE-AC05-00OR22725 UT-BATTELLE, LLC, Oak Ridge, Tennessee
TOLERANCES UNLESS OTHERWISE SPECIFIED	DRW: G LOVETT 08/05	NATIONAL COMPACT STELLARATOR EXPERIMENT	
FRACTIONS ±.01	CHK: M COLE 08/05	MODULAR COIL TYPE-C LEADS TERMINAL ASSEMBLY	
XX DECIMALS ±.005	SECT: :	VERSION NO. 27 PLANT X-10 BLDG 5700 FL 3RD OF 3 TYPE U	
XXX DECIMALS ±0.015	DEPT: :	RELEASE LEVEL Fabrication	
ANGLES ±0°15'	PE: D WILLIAMSON 08/05	SE142C-050	
BREAK SHARP EDGES .06 MAX	CR: :	REV 0	
FINISH .125 UNLESS OTHERWISE SPECIFIED	PJ: :	DRAWING APPROVALS	
	RED: :	DATE	
	PPPL DRFT J SIEGEL 08/05		

NO REPRESENTATION OR WARRANTY, EXPRESSED OR IMPLIED, IS MADE AS TO THE ACCURACY, COMPLETENESS OR USEFULNESS OF THE INFORMATION OR STATEMENTS CONTAINED IN THESE DRAWINGS, OR THAT THE USE OR DISCLOSURE OF ANY INFORMATION, APPARATUS, METHOD OR PROCESS DISCLOSED IN THESE DRAWINGS MAY NOT INFRINGE PRIVATE RIGHTS OF OTHERS. NO LIABILITY IS ASSUMED WITH RESPECT TO THE USE OF, OR FOR DAMAGES RESULTING FROM THE USE OF, ANY INFORMATION, APPARATUS, METHOD OR PROCESS DISCLOSED IN THESE DRAWINGS. DRAWINGS MADE AVAILABLE FOR INFORMATION TO BIDDER ARE NOT TO BE USED FOR OTHER PURPOSES, AND ARE TO BE RETURNED UPON REQUEST OF THE FORWARDING CONTRACTOR.

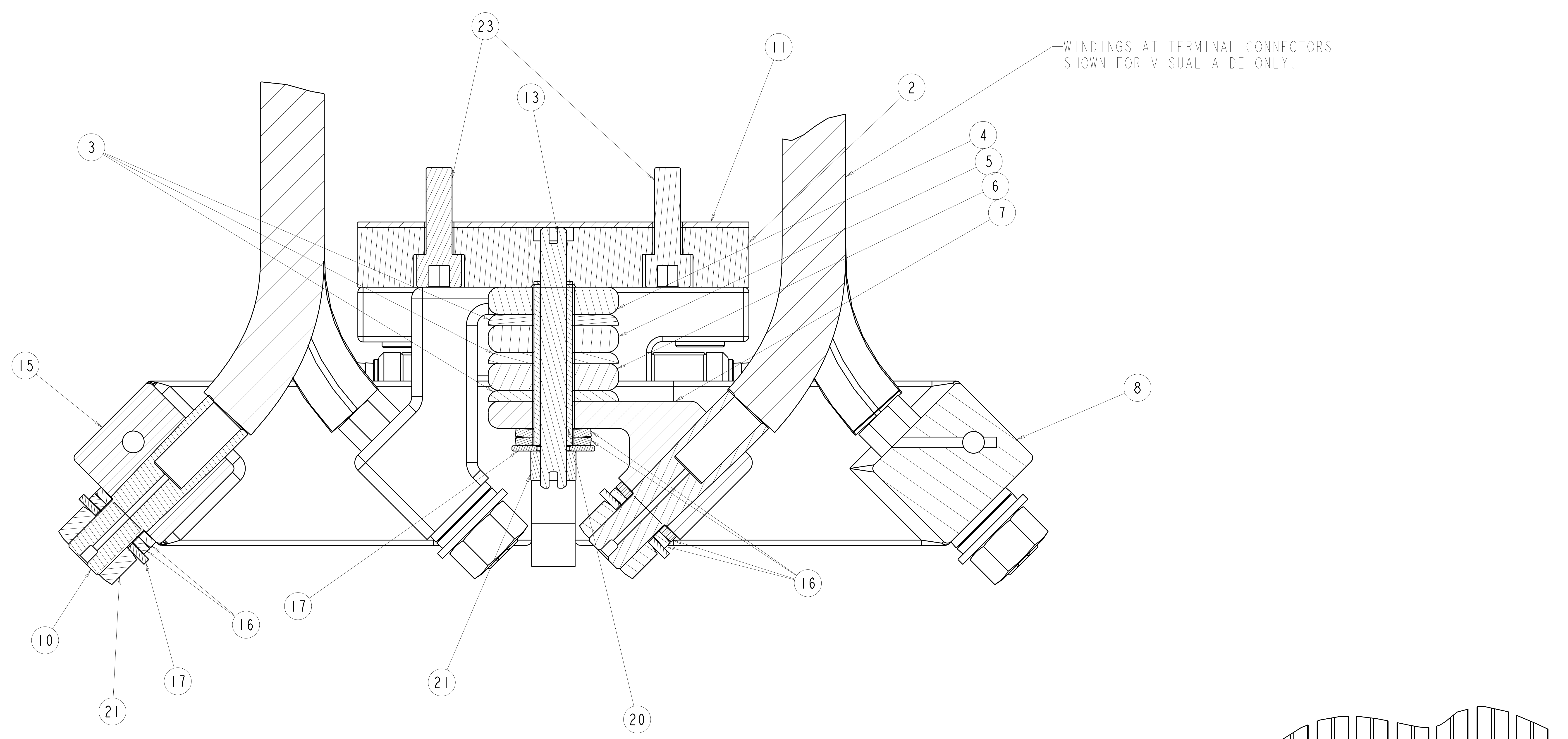
**P** THIS DRAWING PRODUCED ON PRO-ENGINEER

**ISOMETRIC VIEW**  
SCALE 1.00

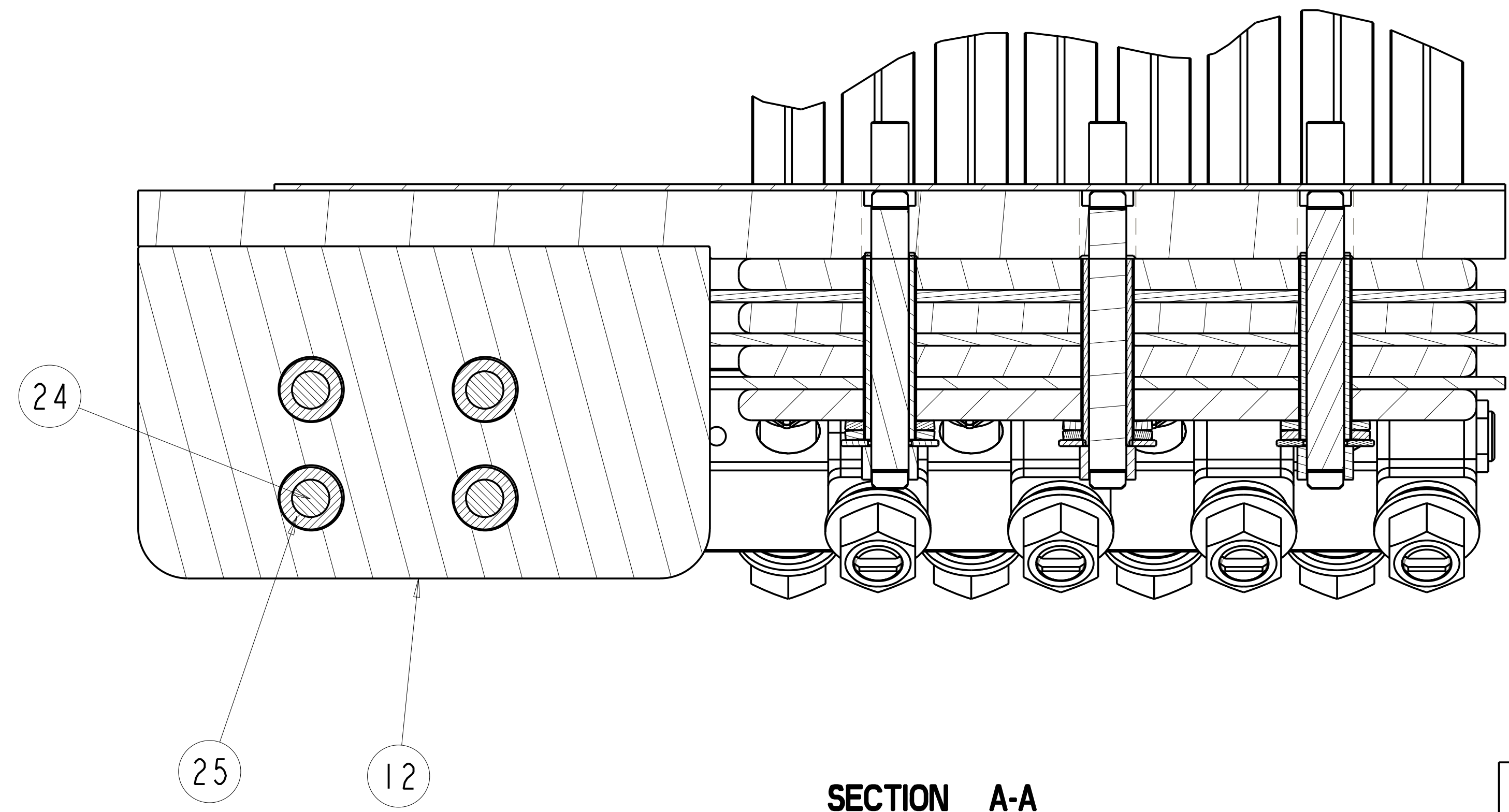
H  
G  
F  
E  
D  
C  
B  
A

SE142C-050

SEE SHEET 1 FOR NOTES AND PARTS LIST



**SECTION B-B**  
 SCALE 2.000



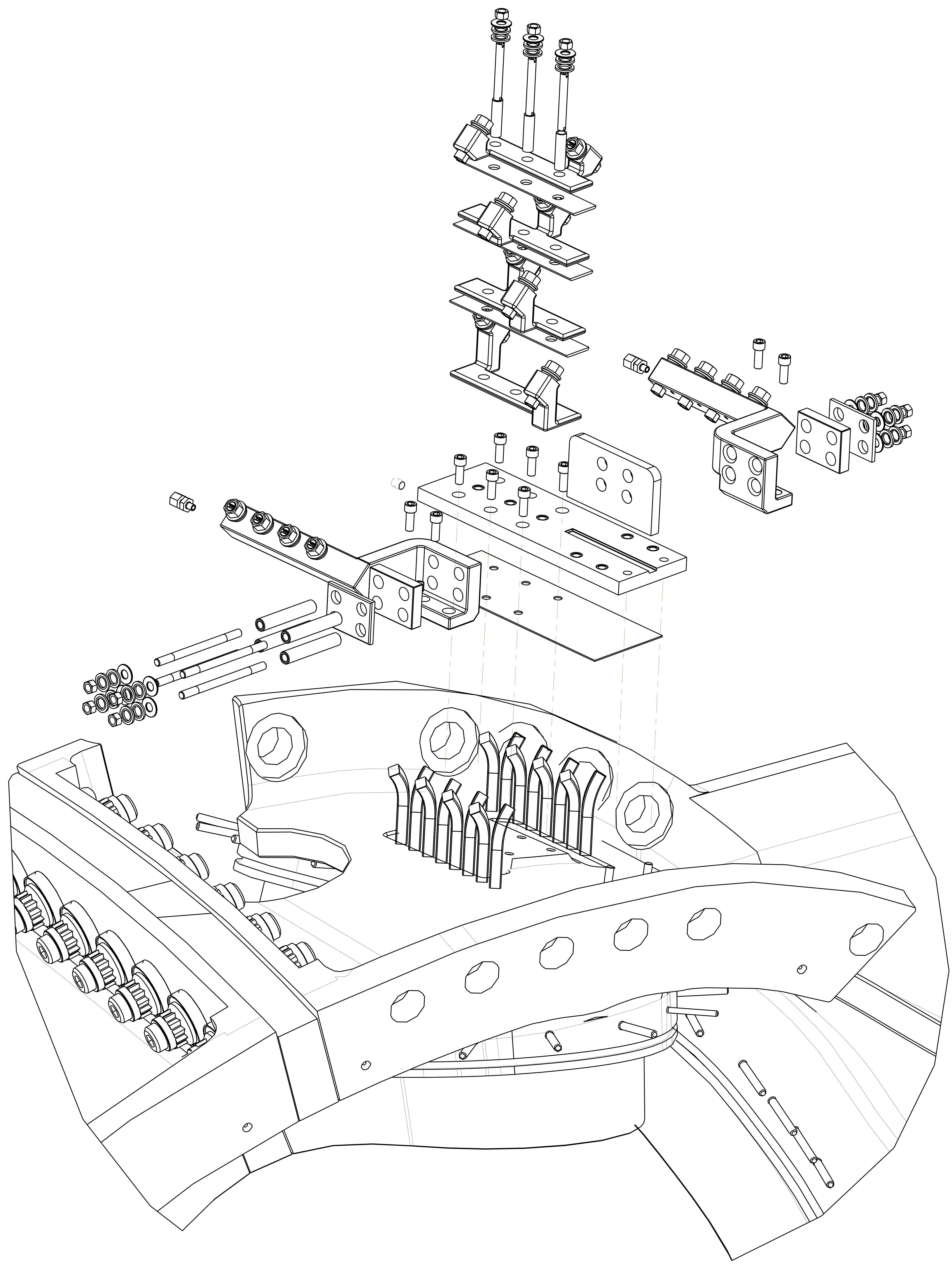
**SECTION A-A**  
 SCALE 1.00

**RELEASED FOR  
 FABRICATION / INSTALLATION**  
 PPPL Drafting:

Oak Ridge National Laboratory managed for the DEPARTMENT OF ENERGY under U.S. GOVERNMENT contract DE-AC05-00OR22725 UT-BATTELLE, LLC, Oak Ridge, Tennessee							
<b>UT-BATTELLE</b>							
NATIONAL COMPACT STELLARATOR EXPERIMENT							
MODULAR COIL TYPE-C LEADS TERMINAL ASSEMBLY							
VERSION NO.	PLANT	BLDG	FL	SHT OF	TYPE	CLASS	
46	X-10	5700	3RD	2 3	S	U	
RELEASE LEVEL		SE142C-050		REV		0	
Fabrication							

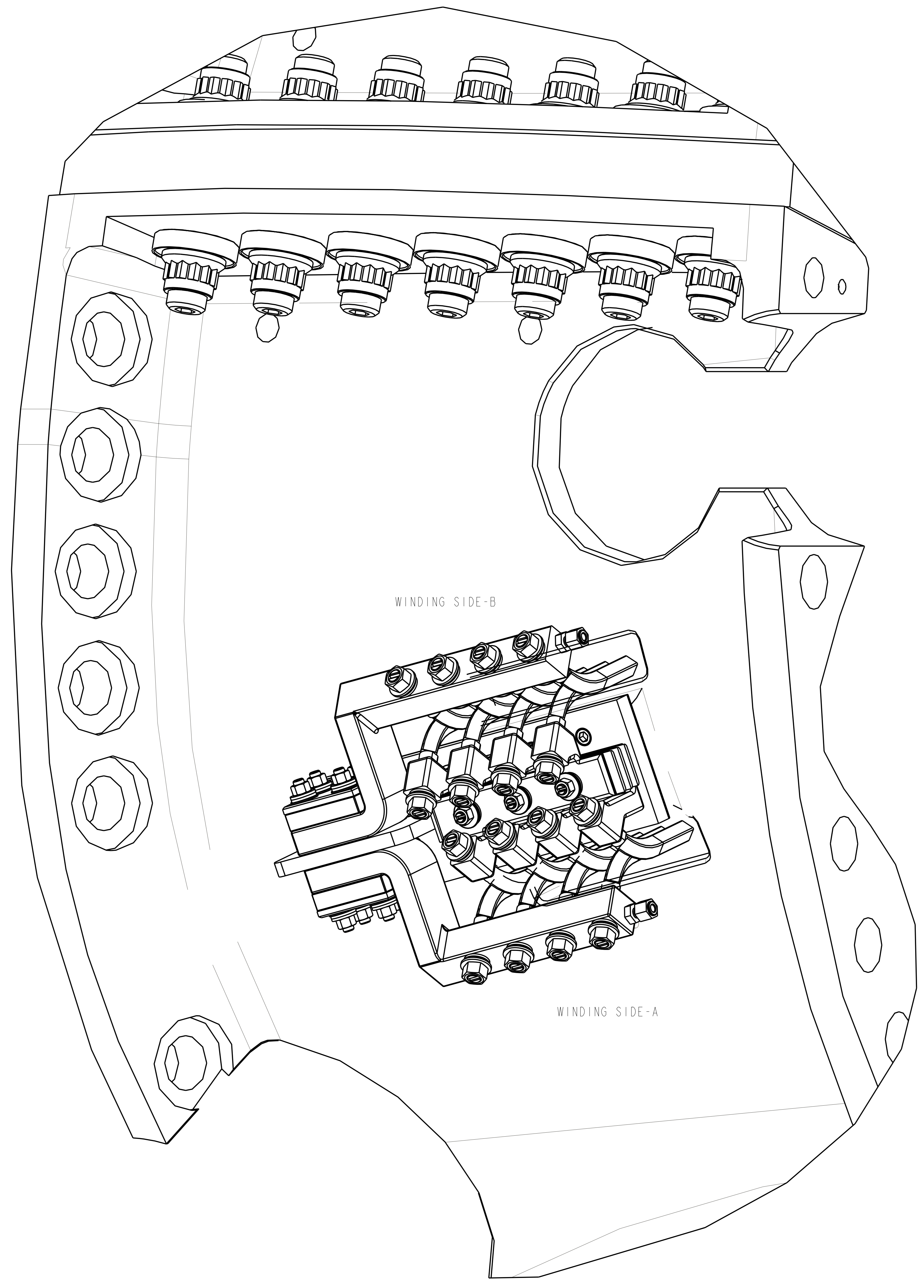
SE142C-050

FOR NOTES AND PARTS LIST, SEE SHEET 1



LEADS ASSEMBLY WITH COIL- EXPLODED VIEW

SCALE 0.500



LEADS ASSEMBLY WITH COIL

SCALE 0.500

**RELEASED FOR  
 FABRICATION / INSTALLATION**  
 PPPL Drafting:

<b>UT-BATTELLE</b>		Oak Ridge National Laboratory managed for the DEPARTMENT OF ENERGY under U.S. GOVERNMENT contract DE-AC05-00OR22725 UT-BATTELLE, LLC, Oak Ridge, Tennessee	
PROJECT NAME			
NATIONAL COMPACT STELLARATOR EXPERIMENT			
MODULAR COIL TYPE-C LEADS TERMINAL ASSEMBLY			
VERSION NO.	PLANT	BLDG	FL
0.27	X-10	5700	3RD
RELEASE LEVEL			
Fabrication			
SHT OF	TYPE	CLASS	
3	3	S	
REV			U
SE142C-050			0

H  
G  
F  
E  
D  
C  
B  
A

SE142C-050