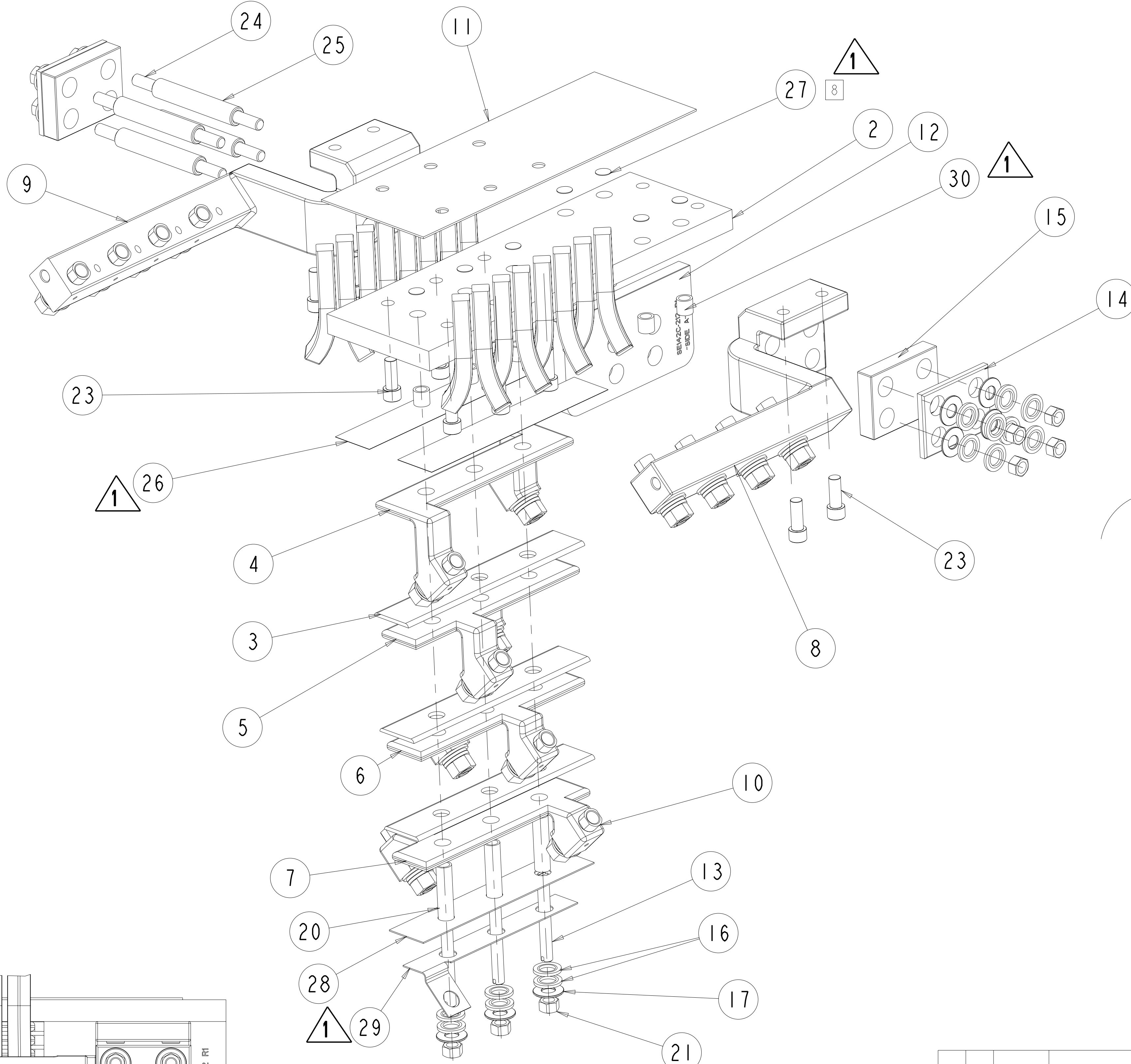
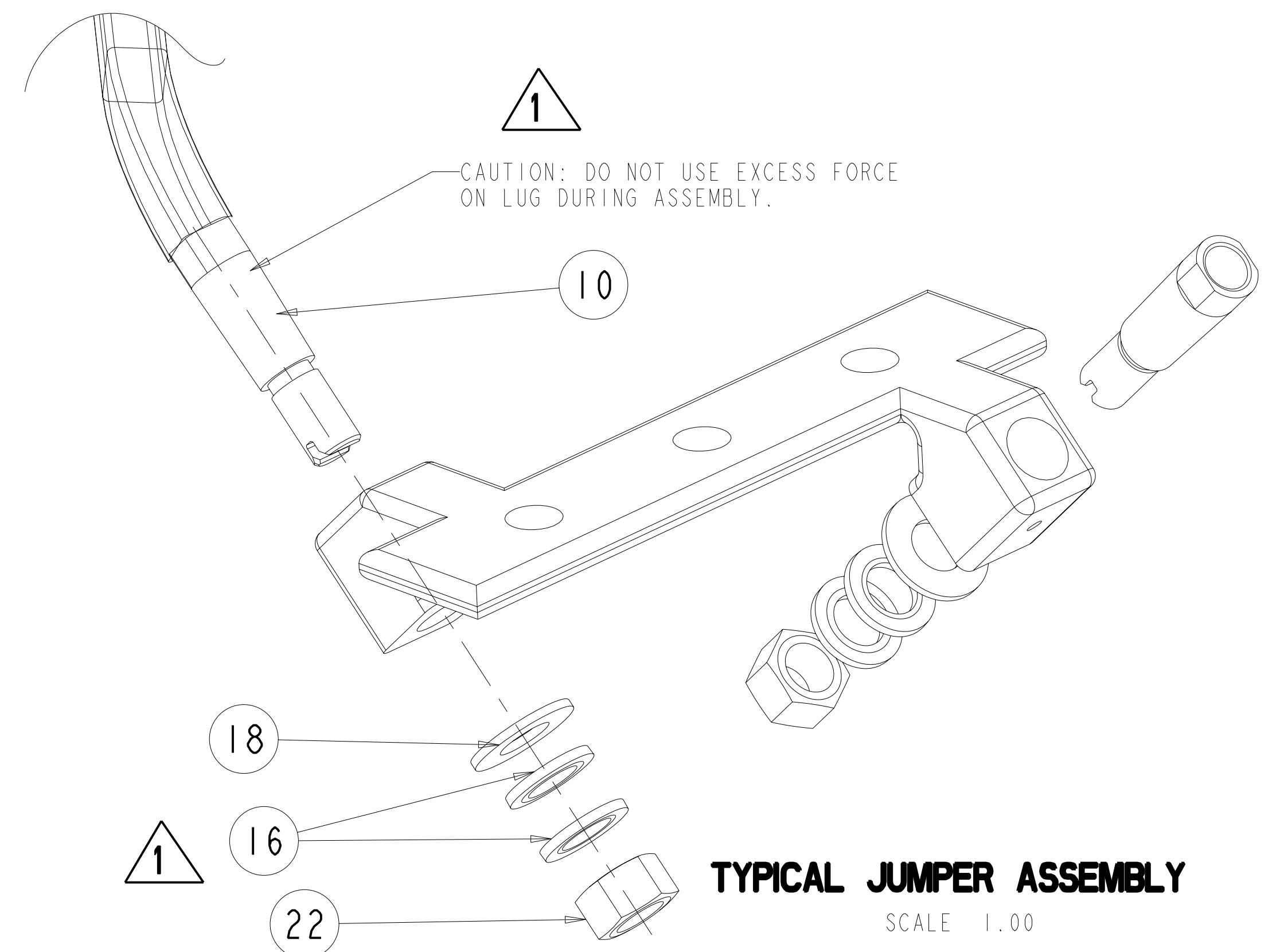


ISOMETRIC VIEW  
SCALE 1.00

EXPLODED ISOMETRIC VIEW  
SCALE 0.50



EXPLODED ISOMETRIC VIEW  
SCALE 0.50



TYPICAL JUMPER ASSEMBLY  
SCALE 1.00

- NOTES:
- DRAWING PREPARED IN ACCORDANCE WITH ASME Y14.100-2000.
  - INTERPRET DIMENSIONS AND TOLERANCES PER ANSI Y14.5M-1994
  - DIMENSIONS ARE IN INCHES
  - DIMENSIONS APPLY AT ROOM TEMPERATURE. OPERATING TEMP 80 K.
  - MAGNETIC PERMEABILITY NOT TO EXCEED 1.02 AS TESTED BY A SEVERN INDICATOR, AVAILABLE FROM:  
SEVERN ENGINEERING  
555 OLD STAGE RD., SUITE 14  
AUBURN, ALABAMA 36830
  - AVAILABLE FROM:  
SOLON MANUFACTURING  
7 ISLAND AVENUE  
SKOWHEGAN, ME 04976-1102  
CAGE CODE: 5L934  
PHONE : 207-474-6213  
FAX : 207-474-7320
  - AVAILABLE FROM:  
MCMASTER CARR  
600 COUNTY LINE RD  
ELMHURST, IL 60126  
CAGE CODE: 39428  
PHONE: 630-833-0300
  - APPLY EPOXY (MINIMUM REQUIRED) TO SEPARATE ITEM 13 STUD FROM ITEM 11 (INSULATING SHEET).

REV	DESCRIPTION	BY	DATE	CHK	DEPT	DATE	PE	REQ	DATE	ORNL	DOE	DATE	REVISION APPROVAL
1	REVISE PART AND DRAWING PER ECN 5140	GLL	7-06	MJC			DEW						

REV	CAGE CODE	PART OR IDENTIFYING NO	NOMENCLATURE OR DESCRIPTION	MATERIAL / SPECIFICATION	FIND NO	
7		KNH616J	.375 -16UNC -2B 1D THD .5625 -12UNC -2A EXT THD KEENSERT INSERT	300 SERIES SSSL	30	
1		SE142C-045	STUD CONNECTOR		29	
1		-28	1.5" WD X 7.5" LNG X .06THK INSULATOR	NEMA GRADE G-11CR	28	
7		-27	BARRIER PLUG	EPOXY	27	
AR		-26	KAPTON TAPE INSULATOR	KAPTON TAPE	26	
4		-25	INS BUSHING, 0.63 OD X .38 ID X 3.50 LNG	NEMA GRADE, G-11CR	25	
4		-24	STUD, 3/8-16 UNC X 5.50 LNG	SS UNS S31600	24	
10		-23	SCREW, 3/8-16UNC X 1.0 LNG HEX SOC HD CAP	SS UNS S31600	23	
16		-22	NUT 1/2-13 UNC STANDARD HEX	SS UNS S31600	22	
11		-21	NUT 3/8-16 UNC STANDARD HEX	SS UNS S31600	21	
3		-20	INS BUSHING, 0.5 OD X .38 ID X 1.88 LNG	NEMA GRADE, G-11CR	20	
		-SS-4-VCO-6-400	SWAGELOK TUBE FITTING	SS UNS S31600	19	
7	16	39428	91950A033	WASHER, .53 ID 1.06 OD .08 THK FLAT	SS UNS S31600	18
7	11	39428	91525A140	WASHER, .406 ID X 1.5 OD X .06 THK	SS UNS S31600	17
6	54	5L934	8F89718	WASHER, BELLEVILLE .515 ID X .9 OD X .10 HT, .010 DEF 3300 LBS	INCONEL 718	16
2		SE142C-260	SPACER, TEMPORARY		15	
2		SE142C-254	CONDUCTOR INSULATING PLATE		14	
3		SE142C-222	LEAD BLOCK THREADED STUD		13	
1		SE142C-212	INSULATING SPACER		12	
1		SE142C-211	INSULATING SHEET DETAIL		11	
16		SE142C-059	TYPE-C CABLE CONNECTOR		10	
1		SE142C-056	TERMINAL LUG - SIDE-B - LONG		9	
1		SE142C-055	TERMINAL LUG - SIDE-A - SHORT		8	
1		SE142C-054	TYPE-C TERMINAL JUMPER #4		7	
1		SE142C-053	TYPE-C TERMINAL JUMPER #3		6	
1		SE142C-052	TYPE-C TERMINAL JUMPER #2		5	
1		SE142C-051	TYPE-C TERMINAL JUMPER #1		4	
3		SE142C-049	JUMPERS INS SHEET DETAIL		3	
1		SE142C-047	JUMPERS BASE BLOCK ASM		2	
AR	X	-1	TYPE-C LEADS TERMINAL ASSEMBLY		1	

RELEASED FOR FABRICATION / INSTALLATION  
PPPL Drafting:

NO REPRESENTATION OR WARRANTY, EXPRESSED OR IMPLIED, IS MADE AS TO THE ACCURACY, COMPLETENESS OR USEFULNESS OF THE INFORMATION OR STATEMENTS CONTAINED IN THESE DRAWINGS, OR THAT THE USE OR DISCLOSURE OF ANY INFORMATION, APPARATUS, METHOD OR PROCESS DISCLOSED IN THESE DRAWINGS MAY NOT INFRINGE PRIVATE RIGHTS OF OTHERS. NO LIABILITY IS ASSUMED WITH RESPECT TO THE USE OF, OR FOR DAMAGES RESULTING FROM THE USE OF, ANY INFORMATION, APPARATUS, METHOD OR PROCESS DISCLOSED IN THESE DRAWINGS. DRAWINGS MADE AVAILABLE FOR INFORMATION TO BIDDER ARE NOT TO BE USED FOR OTHER PURPOSES, AND ARE TO BE RETURNED UPON REQUEST OF THE FORWARDING CONTRACTOR.

THIS DRAWING PRODUCED ON PRO-ENGINEER

ISOMETRIC VIEW  
SCALE 1.00

EXPLODED ISOMETRIC VIEW  
SCALE 0.50

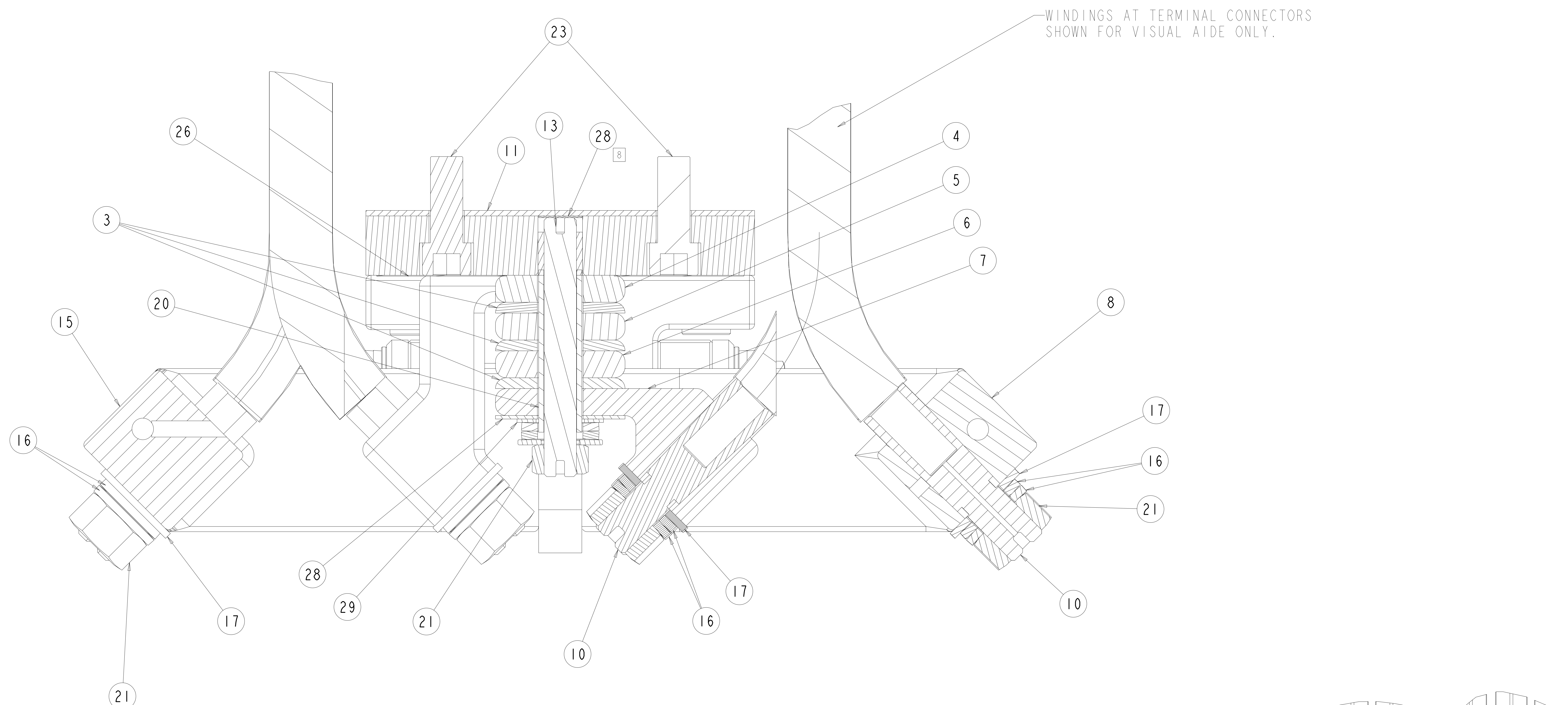
SCALE	NOTED	DES	CHK	SECT	DEPT	PE	CR	PJ	RED	FINISH
	TOLERANCES UNLESS OTHERWISE SPECIFIED	P FOGARTY	G LOVETT			D WILLIAMSON				PPPL DFT J SIEGEL

08/05	08/05	08/05	08/05	08/05	08/05	08/05	08/05	08/05	08/05	08/05
DES	CHK	SECT	DEPT	PE	CR	PJ	RED	FINISH	PPPL DFT	DATE
P FOGARTY	G LOVETT			D WILLIAMSON					J SIEGEL	08/05

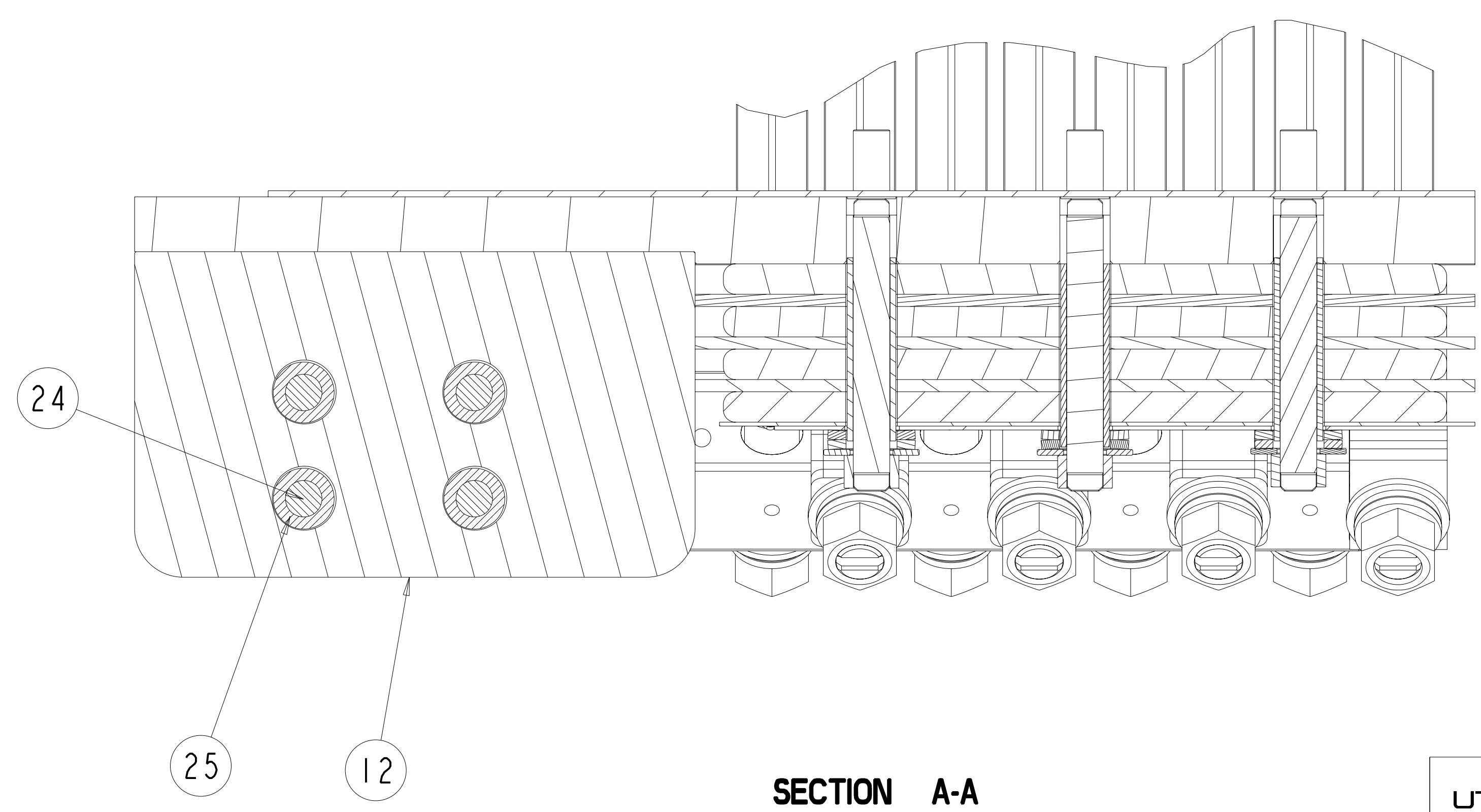
UT-BATTELLE  
NATIONAL COMPACT STELLARATOR EXPERIMENT

MODULAR COIL TYPE-C LEADS TERMINAL ASSEMBLY

VERSION NO.	PLANT	BLDG	FL	SHT	OF	TYPE	CLASS
13	X-10	5700	3RD	1	3	S	U
RELEASE LEVEL	SE142C-050						
Fabrication							



**SECTION C-C**   
SCALE 2.00

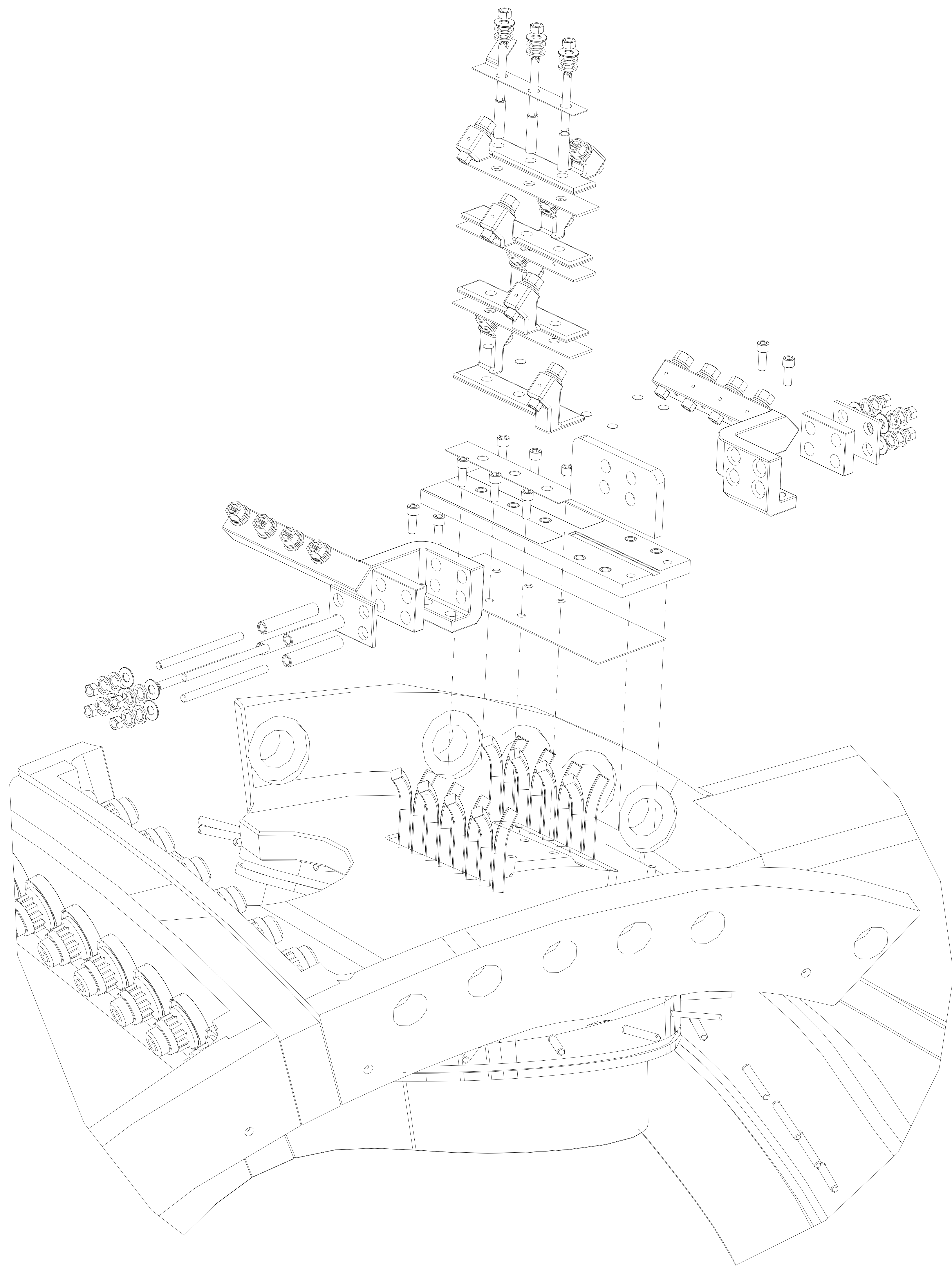


**SECTION A-A**  
SCALE 1.00

**RELEASED FOR FABRICATION / INSTALLATION**  
PPPL Drafting

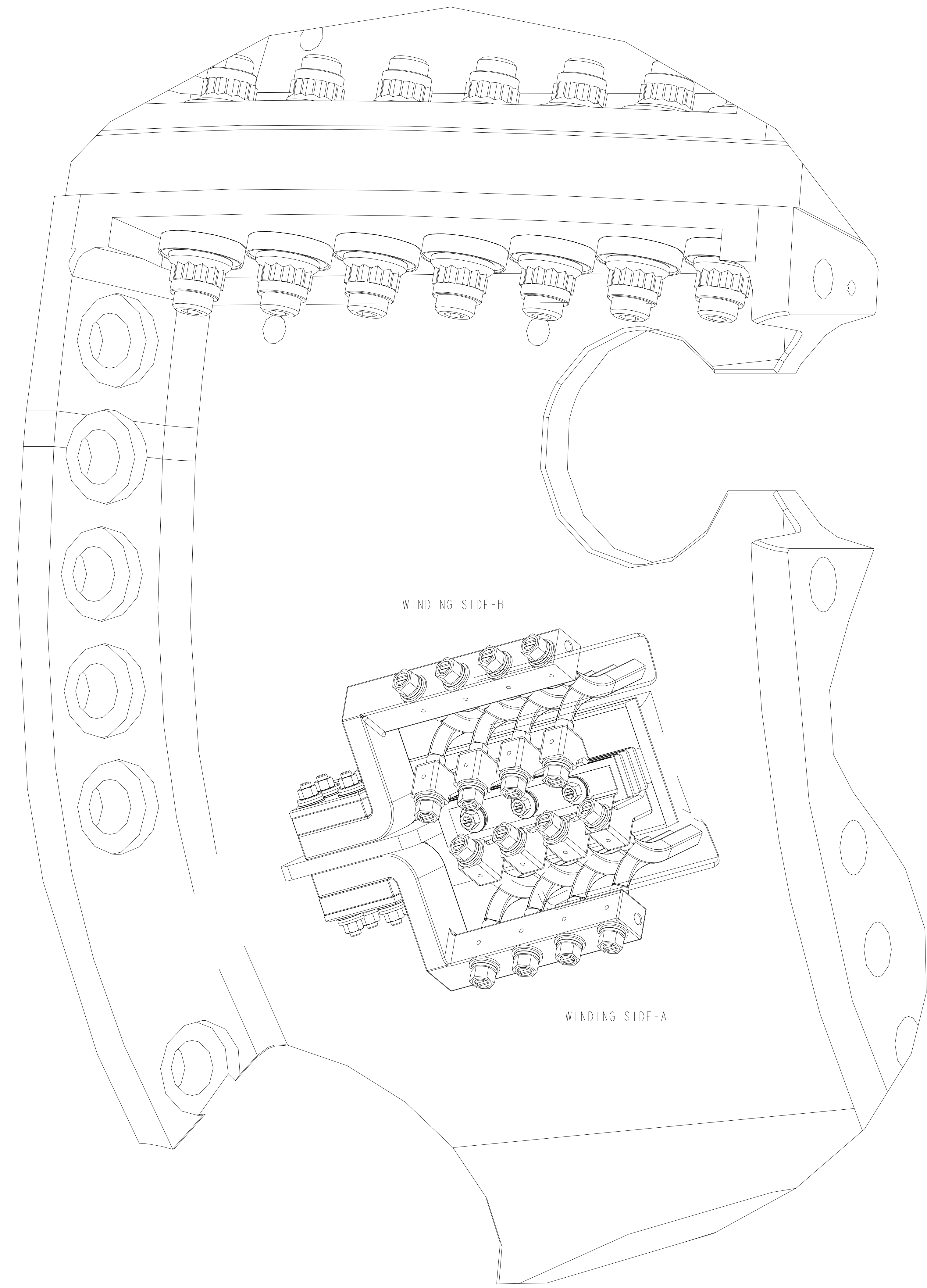
Oak Ridge National Laboratory managed for the DEPARTMENT OF ENERGY under U.S. GOVERNMENT contract DE-AC05-00OR22725 UT-BATTELLE, LLC, Oak Ridge, Tennessee PROJECT NAME									
<b>UT-BATTELLE</b> <b>NATIONAL COMPACT STELLARATOR EXPERIMENT</b>									
MODULAR COIL TYPE-C LEADS TERMINAL ASSEMBLY									
VERSION NO.	PLANT	BLDG	FL	SHT	OF	TYPE	CLASS		
13	X-10	5700	3RD	2	3	S	U		
RELEASE LEVEL		SE 142C-050							
Fabrication									

00-02135



LEADS ASSEMBLY WITH COIL- EXPLODED VIEW

SCALE 0.500



LEADS ASSEMBLY WITH COIL

SCALE 0.500

RELEASED FOR FABRICATION / INSTALLATION  
PPPL Drafting:

UT-BATTELLE		Oak Ridge National Laboratory managed for the DEPARTMENT OF ENERGY under U.S. GOVERNMENT contract DE-AC05-00OR22725 UT-BATTELLE, LLC. Oak Ridge, Tennessee	
NATIONAL COMPACT STELLARATOR EXPERIMENT			
MODULAR COIL TYPE-C LEADS TERMINAL ASSEMBLY			
VERSION NO.	PLANT	BLDG	FL   SHT OF TYPE CLASS
1.13	X-10	5700	3RD 3 3 S U
RELEASE LEVEL		SE 142C-050	
Fabrication		I	

050-02131

A