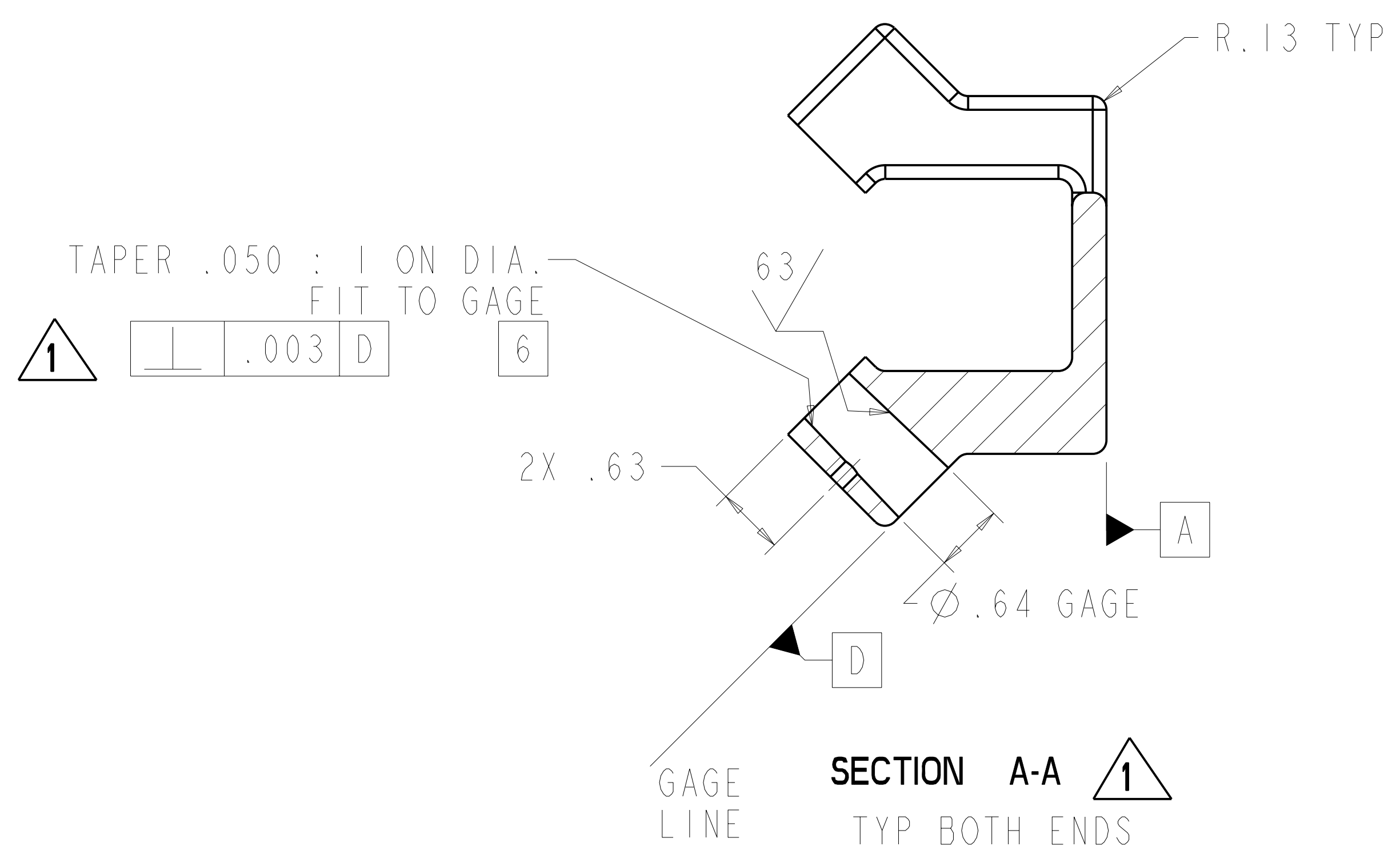


ISOMETRIC VIEW

1 TERMINAL JUMPER
SCALE 1 : 1



RELEASED FOR FABRICATION / INSTALLATION
PPPL Drafting:

AR	-1	TERMINAL JUMPER	1 OFHC COPPER (UNS C10200 OR C10100)	I
0	CAGE CODE	PART OR IDENTIFYING NO	NOMENCLATURE OR DESCRIPTION	FIND NO
0		NEXT ASSEMBLY	MATERIAL / SPECIFICATION	
			PARTS LIST	

NO REPRESENTATION OR WARRANTY, EXPRESSED OR IMPLIED, IS MADE AS TO THE ACCURACY, COMPLETENESS OR USEFULNESS OF THE INFORMATION OR STATEMENTS CONTAINED IN THESE DRAWINGS, OR THAT THE USE OR DISCLOSURE OF ANY INFORMATION, APPARATUS, METHOD OR PROCESS DISCLOSED IN THESE DRAWINGS MAY NOT INFRINGE PRIVATE RIGHTS OF OTHERS. NO LIABILITY IS ASSUMED WITH RESPECT TO THE USE OF, OR FOR DAMAGES RESULTING FROM THE USE OF, ANY INFORMATION, APPARATUS, METHOD OR PROCESS DISCLOSED IN THESE DRAWINGS. DRAWINGS MADE AVAILABLE FOR INFORMATION TO BIDDER ARE NOT TO BE USED FOR OTHER PURPOSES, AND ARE TO BE RETURNED UPON REQUEST OF THE FORWARDING CONTRACTOR.

P THIS DRAWING PRODUCED ON PRO-ENGINEER

REV	DESCRIPTION	BY	DATE	CHK	DEPT	DATE	PE	REQ	DATE	ORNL	DOE	DATE
1	REVISE PART AND DRAWING PER ECN 5140	GLL	7-08	MJC			DEW					
0	INITIAL RELEASE	GLL	6-08	MJC			DEW					

SCALE NOTED		DES P FOGARTY 05/05	Oak Ridge National Laboratory managed for the DEPARTMENT OF ENERGY under U.S. GOVERNMENT contract DE-AC05-00OR22725 UT-BATTELLE, LLC, Oak Ridge, Tennessee	
TOLERANCES UNLESS OTHERWISE SPECIFIED		DRW G LOVETT 05/05	PROJECT NAME	
FRACTIONS ±.01		CHK M COLE 5/05	NATIONAL COMPACT STELLARATOR EXPERIMENT	
XX DECIMALS ±.005		PE D WILLIAMSON 05/05	MODULAR COIL TYPE-C	
XXX DECIMALS ±.0015		CR : :	TERMINAL JUMPER #1	
ANGLES ±0°15'		PJ : :	DETAIL	
BREAK SHARP EDGES OR MAX FINISH ±.025 UNLESS OTHERWISE SPECIFIED		REQ : :	VERSION NO. 9	
		REO : :	PLANT X-10	
		PPPL DRFT J SIEGEL 05/05	BLDG 5700	
			FL 3	
			SHT 1	
			OF 1	
			TYPE I	
			CLASS U	
			RELEASE LEVEL Fabrication	
			SE142C-051	
			REV I	