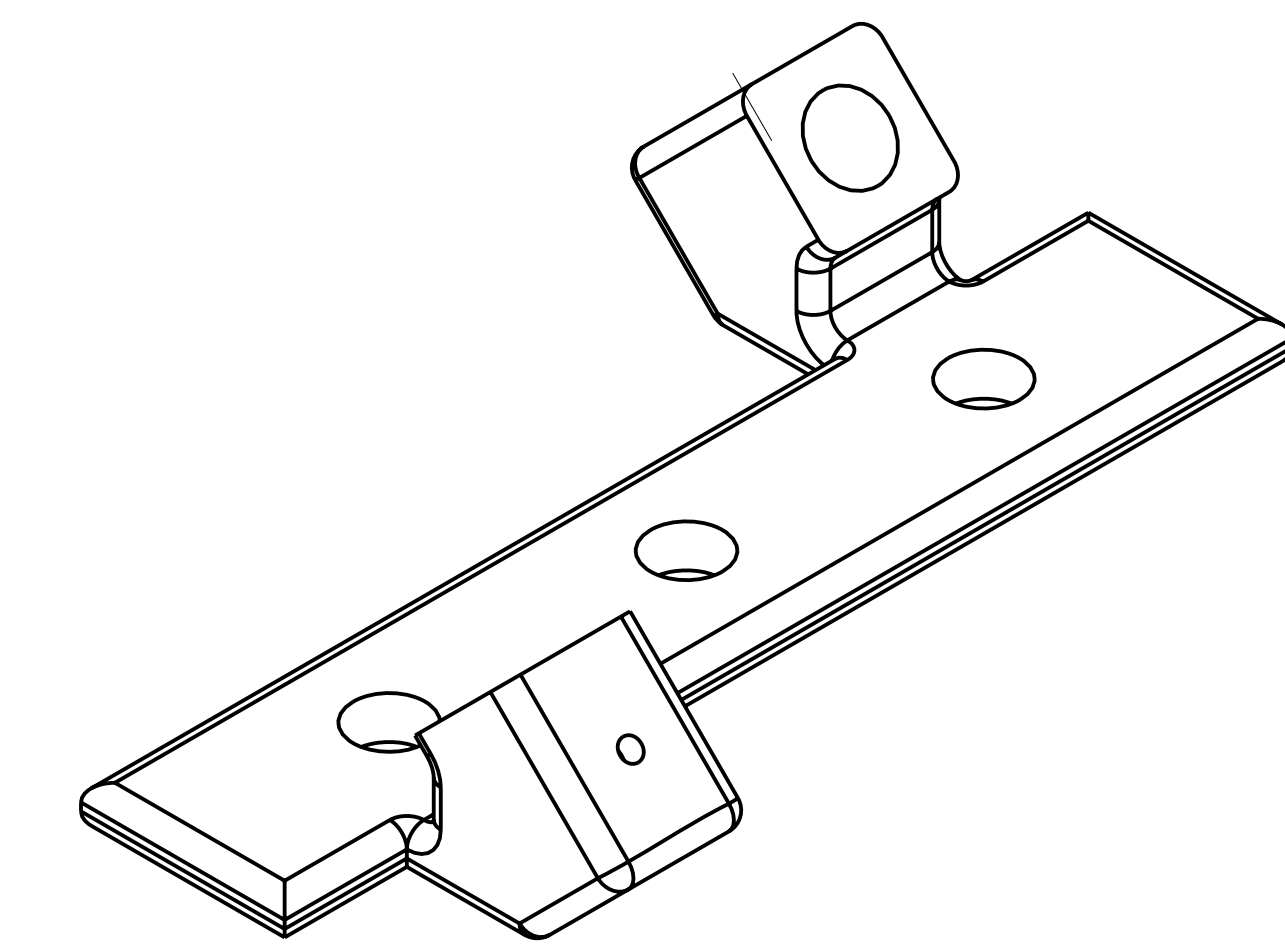


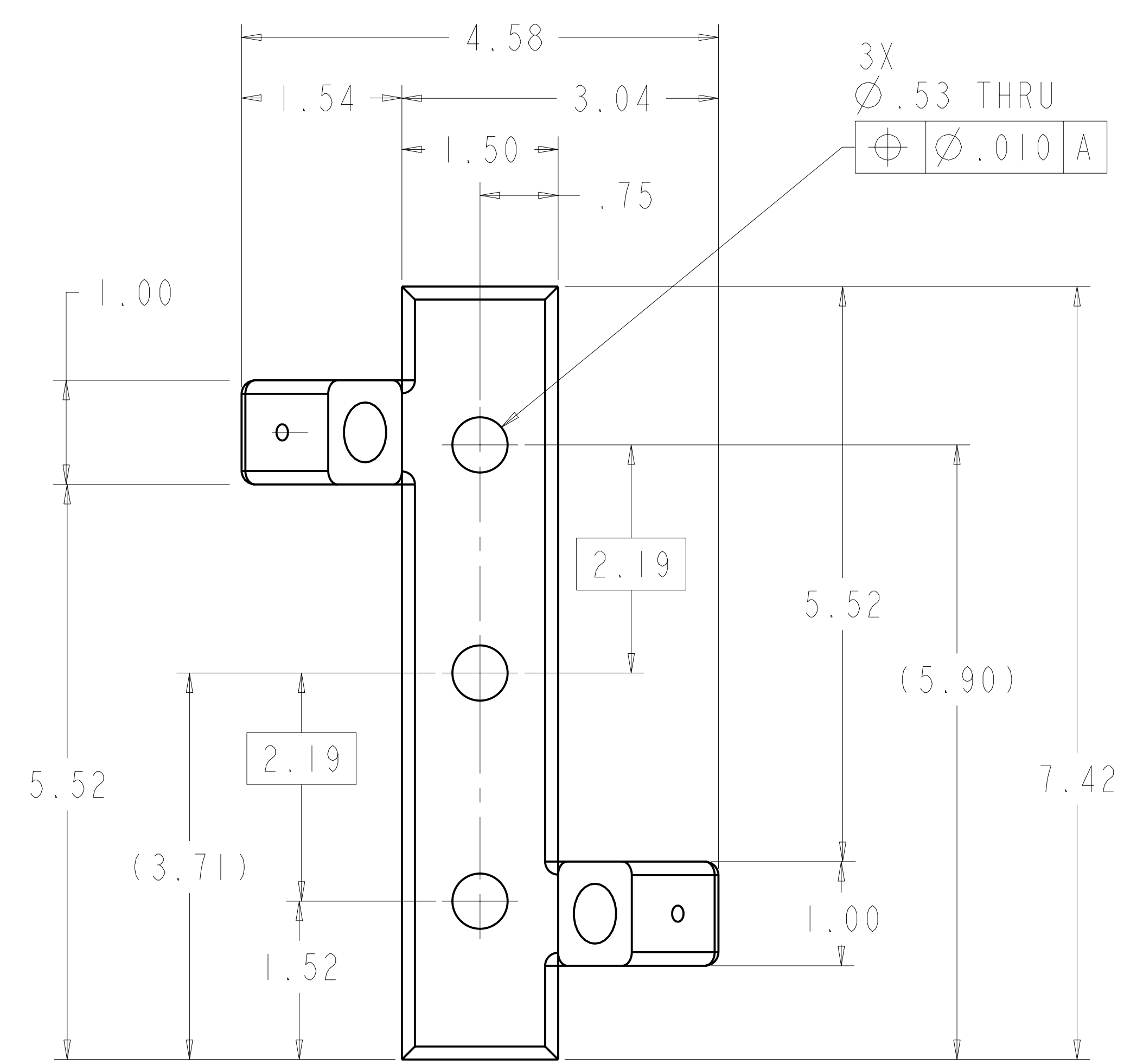
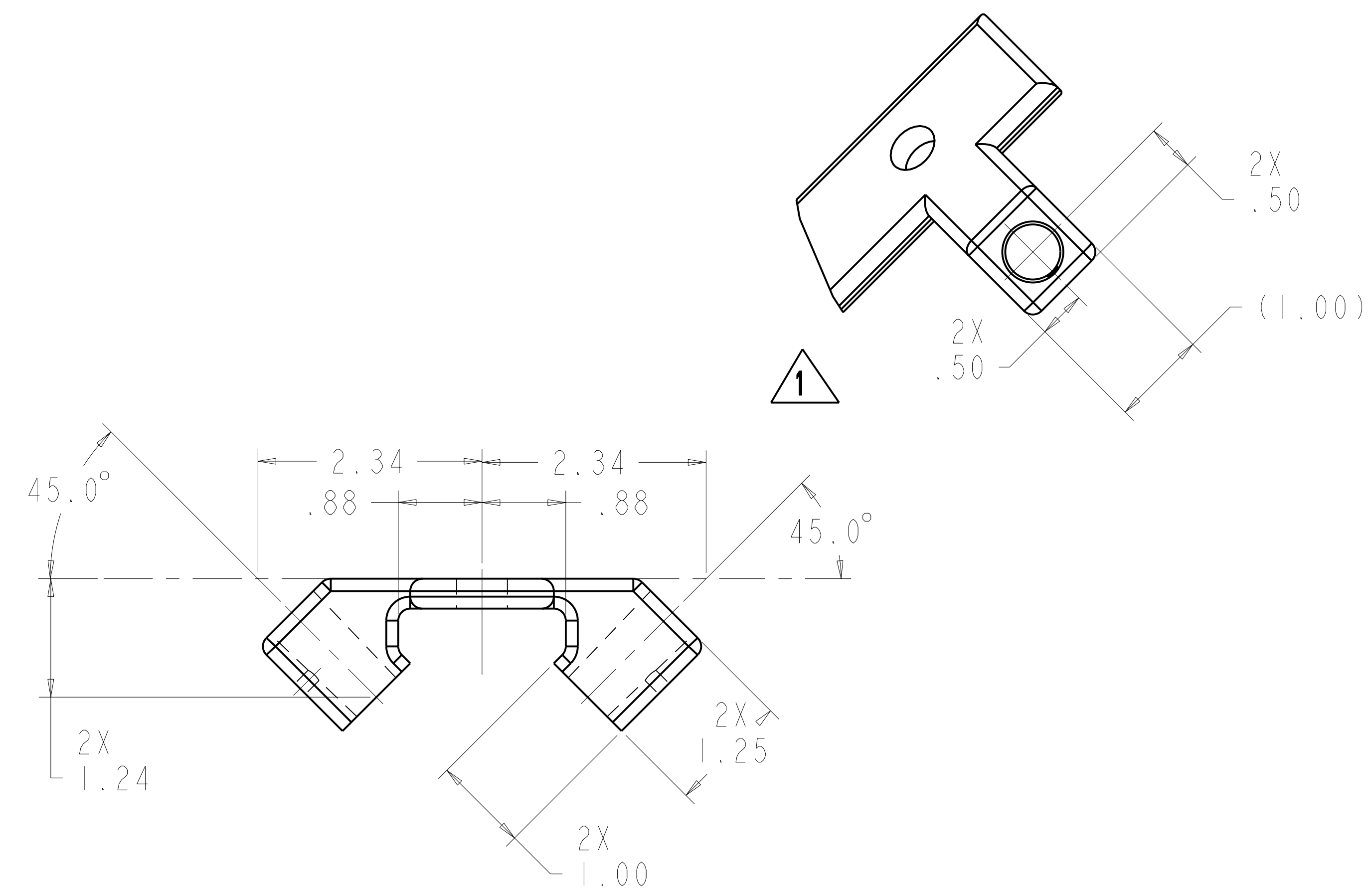
NOTES:

1. INTERPRET DIMENSIONS AND TOLERANCES PER ANSI Y14.5M
2. DIMENSIONS ARE IN INCHES
3. DIMENSIONS APPLY AT ROOM TEMPERATURE. OPERATING TEMP 80 K.
4. GEOMETRY IS DEFINED IN PRO ENGINEER CAD MODELS/FILES SEI42C-054.PRT
5. DRAWING AND MODELS COMBINED DEFINE FINISHED MACHINED PART.
- 6 SILVER PLATE 10 MICRON THICK PER ASTM B700 TYPE 1, GRADE C, CLASS S. APPLY NICKEL INTERMEDIATE LAYER >1 MICRON THICK IMMEDIATELY AFTER CLEANING BASE METAL AND BEFORE ELECTROPLATE.

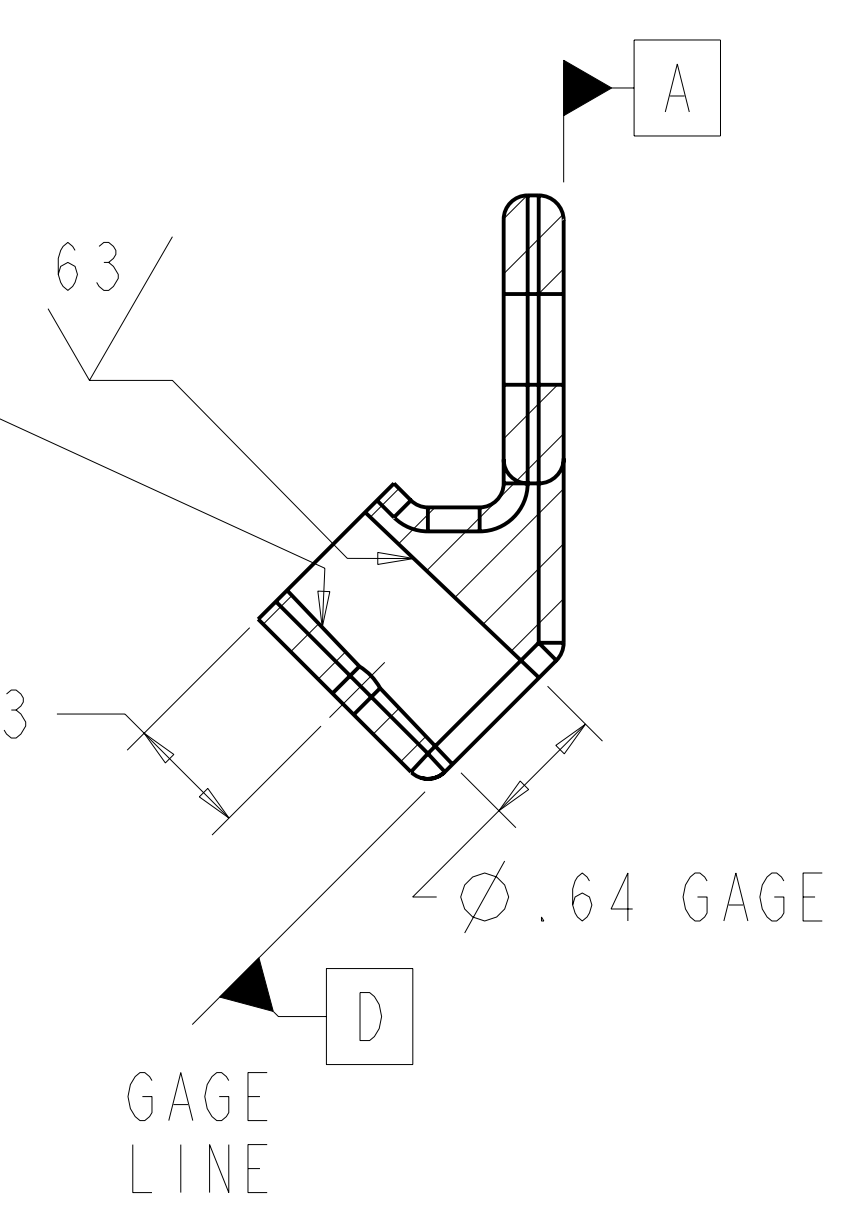
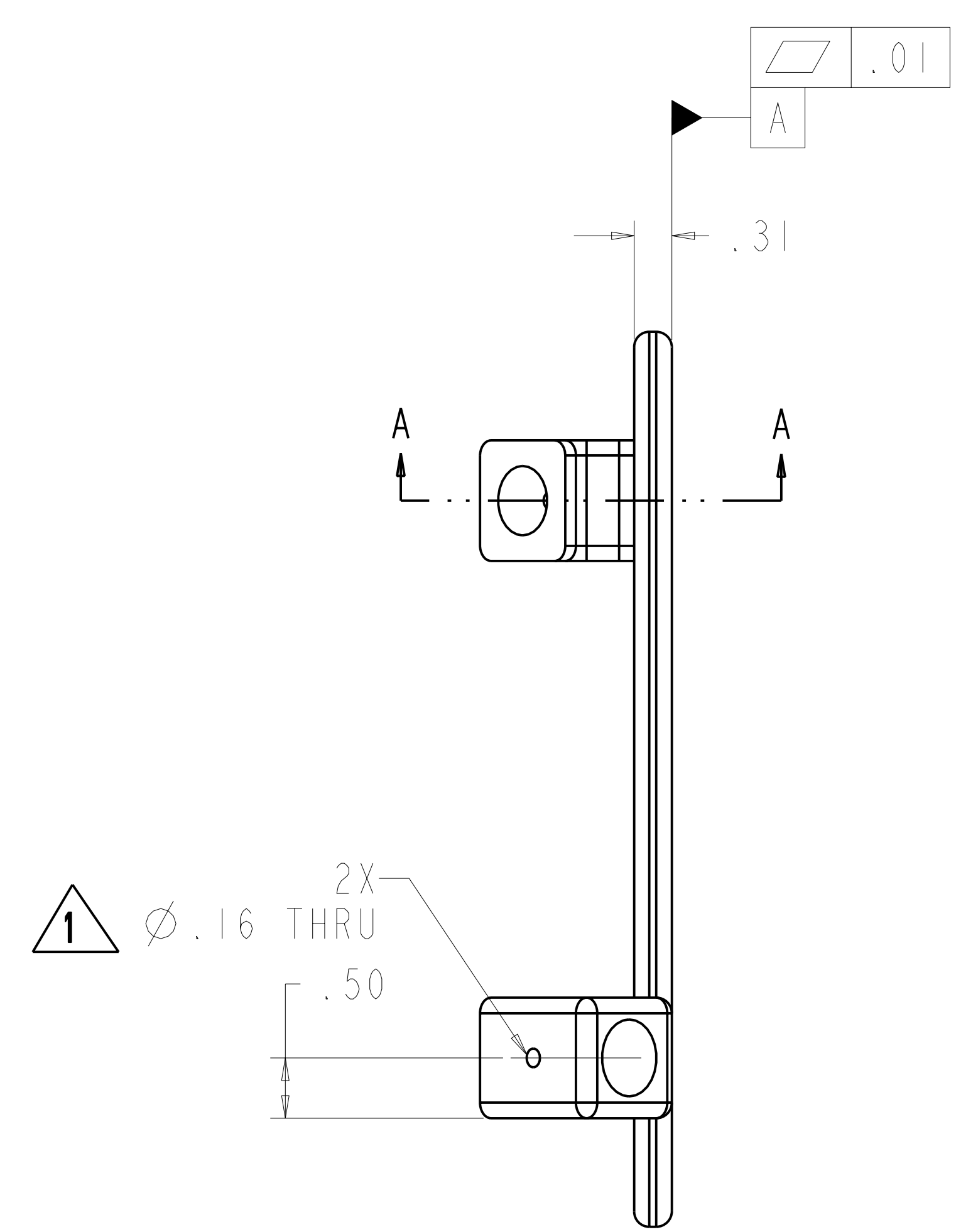


ISOMETRIC VIEW

**RELEASED FOR
FABRICATION / INSTALLATION**
PPPL Drafting:



1 TERMINAL JUMPER
SCALE 1 : 1



SECTION A-A **1**
TYP BOTH ENDS

AR	X	-1	TERMINAL JUMPER	1 OFHC COPPER (UNS C10200 OR C10100)	I
050-027			CAGE CODE	PART OR IDENTIFYING NO	FIND NO
			NOMENCLATURE OR DESCRIPTION	MATERIAL / SPECIFICATION	
			NEXT ASSEMBLY	PARTS LIST	

NO REPRESENTATION OR WARRANTY, EXPRESSED OR IMPLIED, IS MADE AS TO THE ACCURACY, COMPLETENESS OR USEFULNESS OF THE INFORMATION OR STATEMENTS CONTAINED IN THESE DRAWINGS, OR THAT THE USE OR DISCLOSURE OF ANY INFORMATION, APPARATUS, METHOD OR PROCESS DISCLOSED IN THESE DRAWINGS MAY NOT INFRINGE PRIVATE RIGHTS OF OTHERS. NO LIABILITY IS ASSUMED WITH RESPECT TO THE USE OF, OR FOR DAMAGES RESULTING FROM THE USE OF, ANY INFORMATION, APPARATUS, METHOD OR PROCESS DISCLOSED IN THESE DRAWINGS. DRAWINGS MADE AVAILABLE FOR PURPOSES, AND ARE TO BE RETURNED UPON REQUEST OF THE FORWARDING CONTRACTOR.

P THIS DRAWING PRODUCED ON PRO-ENGINEER

REV	DESCRIPTION	BY	DATE	CHK	DEPT	DATE	PE	REQ	DATE	ORNL	DOE	DATE
1	REVISE PART AND DRAWING PER ECN 5140	GLL	7-08	MJC			DEW					
0	INITIAL RELEASE	GLL	6-05	MJC			DEW					

SCALE NOTED	
TOLERANCES UNLESS OTHERWISE SPECIFIED	DES P FOGARTY 05/05
FRACTIONS	DRW G LOVETT 05/05
XX DECIMALS ±.01	CHK M COLE 05/05
XXX DECIMALS ±.005	SECT :
ANGLES ±0°15'	DEPT :
BREAK SHARP EDGES OR MAX	PE D WILLIAMSON 05/05
FINISH .125 UNLESS OTHERWISE SPECIFIED	CR :
	PJ :
	REQ :
	PPPL DRFT J SIEGEL 05/05
	REVISION APPROVAL

Oak Ridge National Laboratory managed for the DEPARTMENT OF ENERGY under U.S. GOVERNMENT contract DE-AC05-00OR22725 UT-BATTELLE, LLC. Oak Ridge, Tennessee	
PROJECT NAME NATIONAL COMPACT STELLARATOR EXPERIMENT	
MODULAR COIL TYPE-C TERMINAL JUMPER #4 DETAIL	
VERSION NO.	PLANT
7	X-10
BLDG	FL
5700	3
SHT	OF
1	1
TYPE	CLASS
I	S
U	U
RELEASE LEVEL	SEI42C-054
Fabrication	