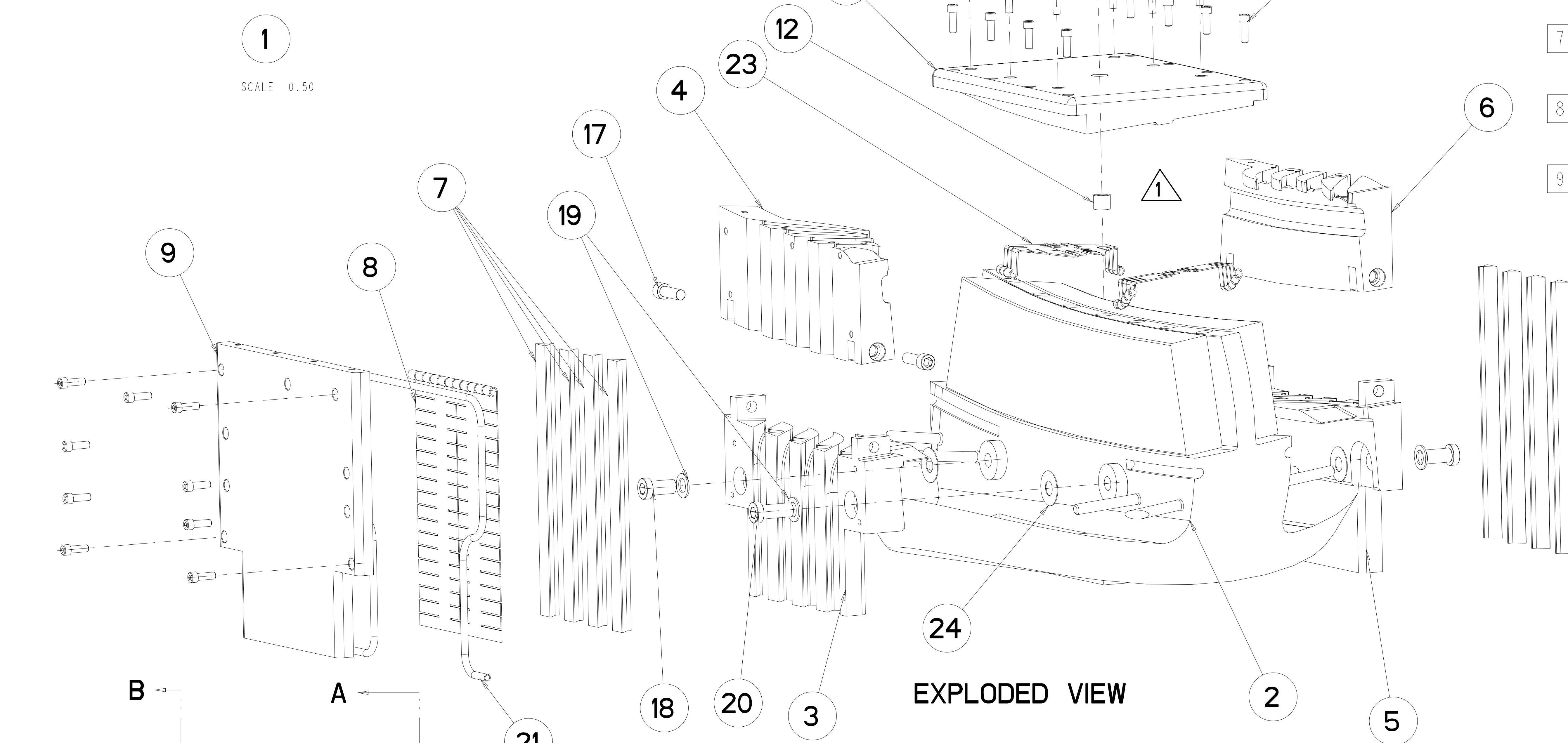
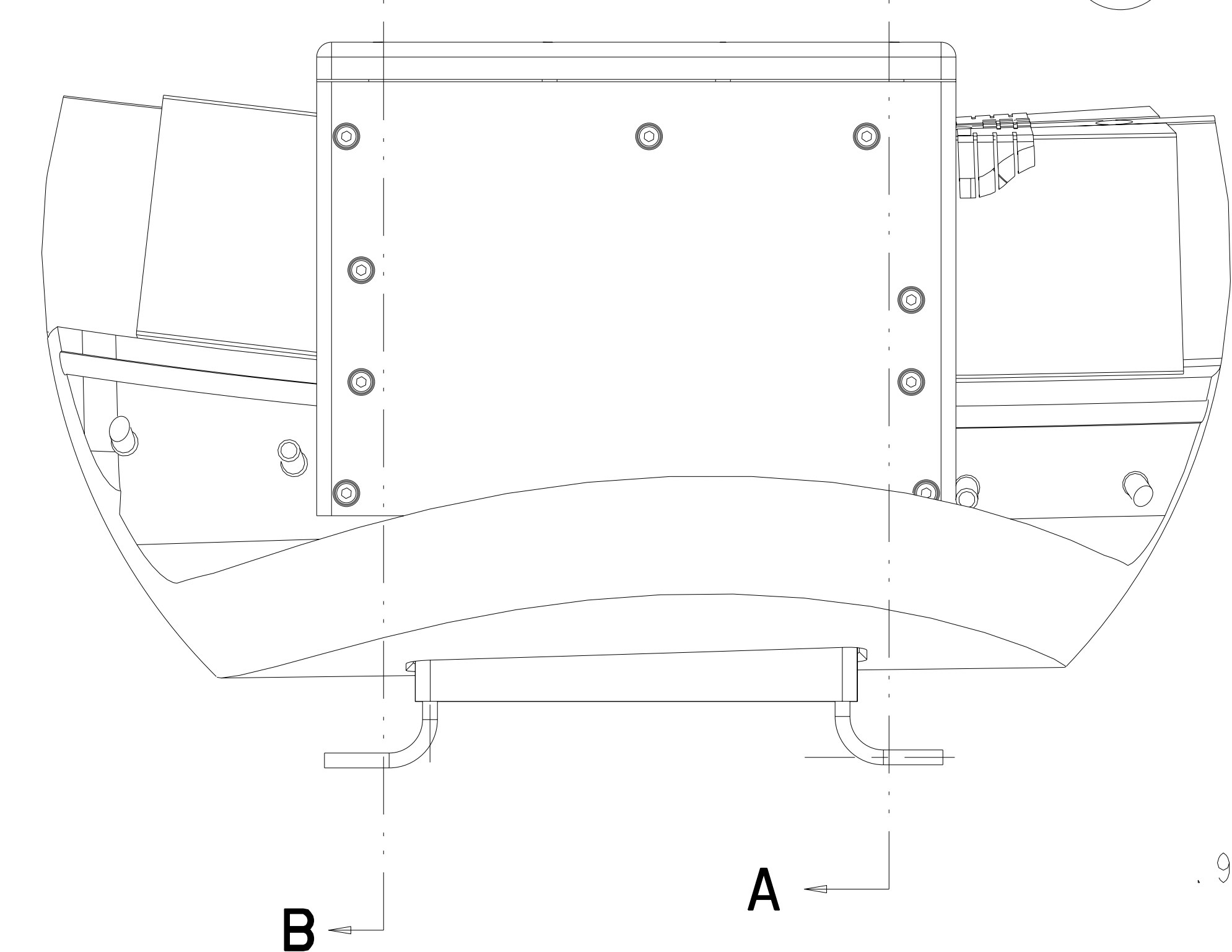


1
SCALE 0.50

WINDING PACK SHOWN FOR INFORMATION ONLY (SE142C-293.PRT)

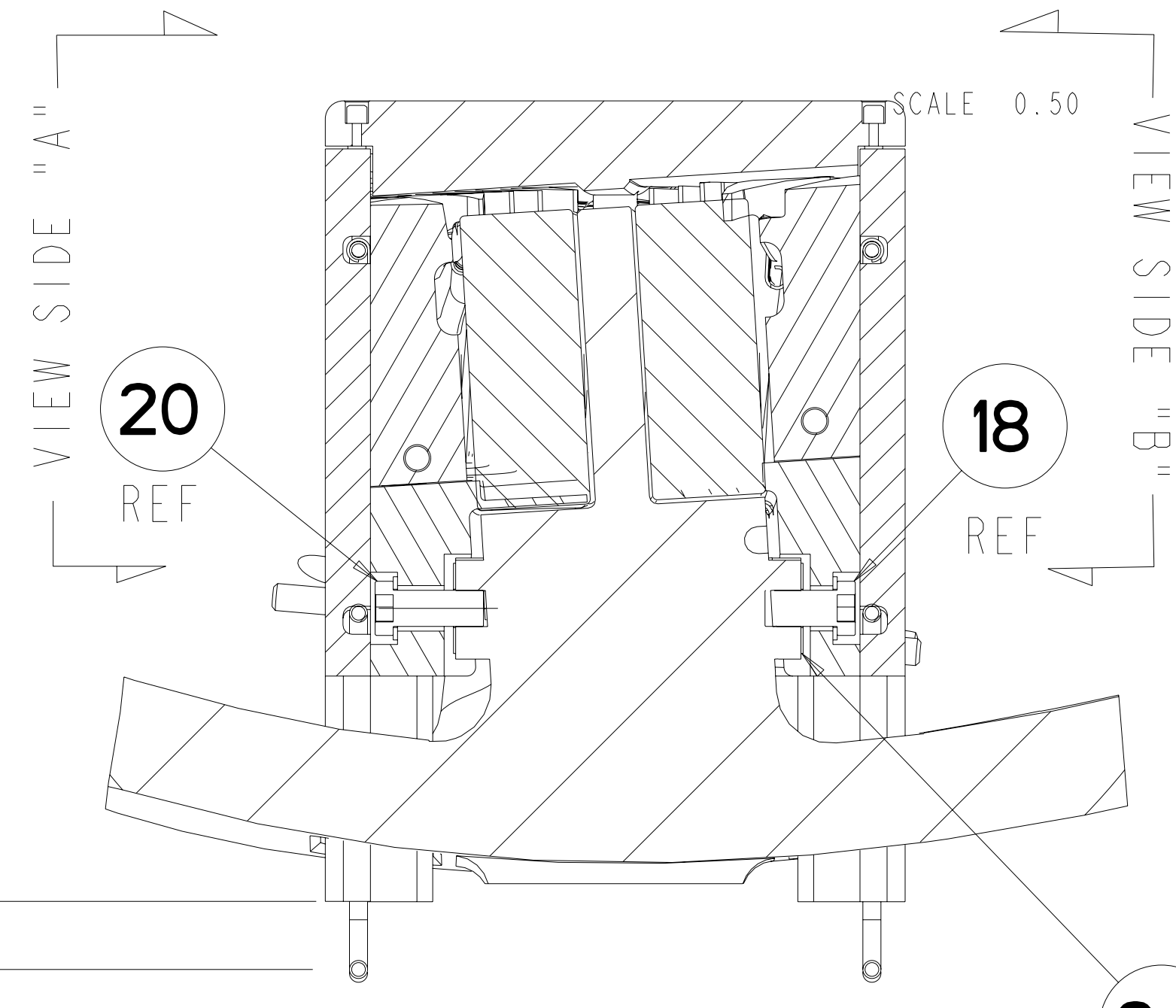


EXPLODED VIEW



SECTION A-A

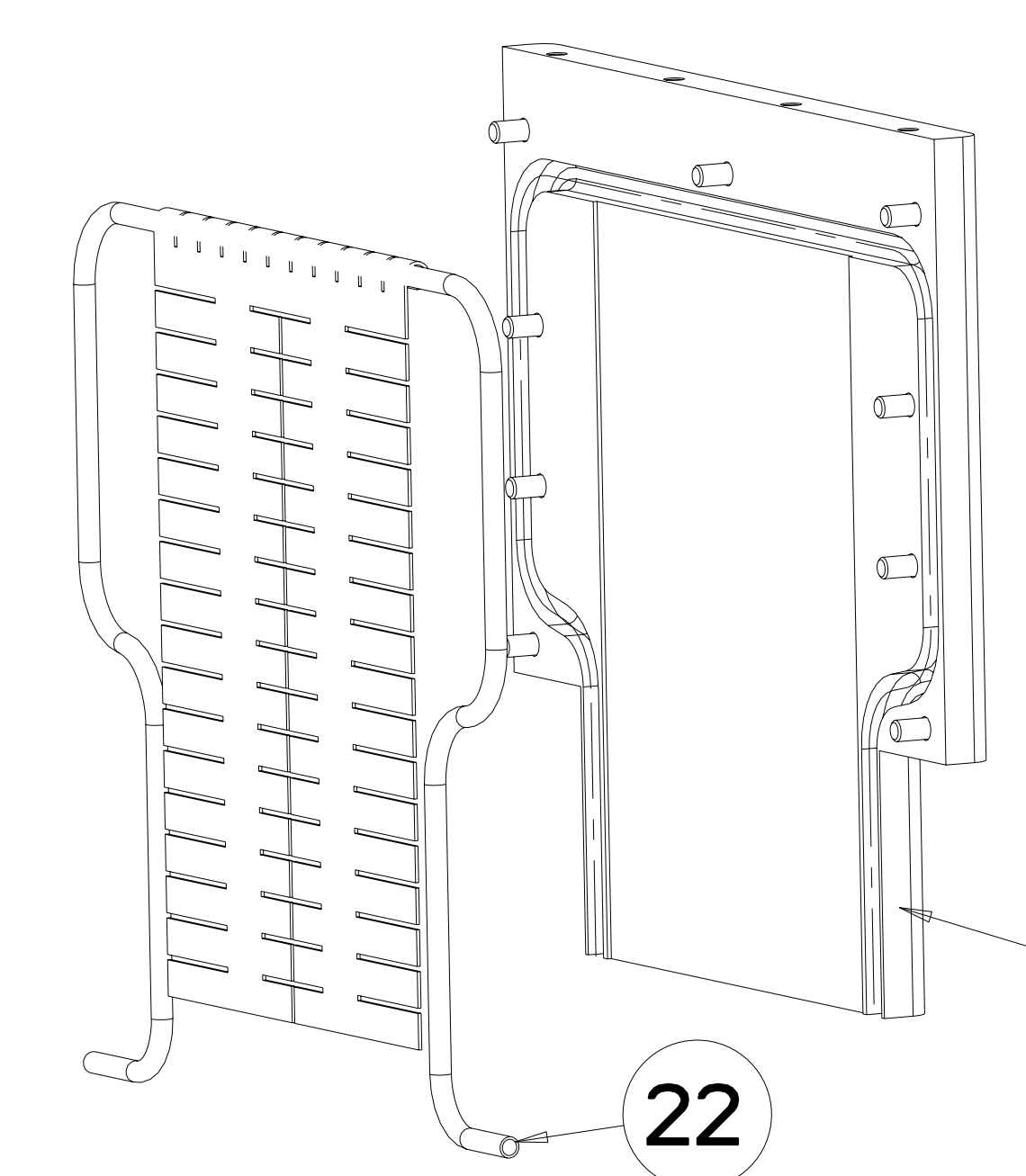
SCALE 0.50



SECTION B-B

- NOTES:
1. DRAWING PREPARED IN ACCORDANCE WITH ASME Y14.100-2000.
 2. INTERPRET DIMENSIONS AND TOLERANCES PER ANSI Y14.5M
 3. DIMENSIONS ARE IN INCHES
 4. DIMENSIONS APPLY AT ROOM TEMPERATURE. OPERATING TEMP 80 K.
 5. MAGNETIC PERMEABILITY NOT TO EXCEED 1.02 AS TESTED BY A SEVERN INDICATOR, AVAILABLE FROM:
SEVERN ENGINEERING
555 OLD STAGE RD., SUITE 14
AUBURN, ALABAMA 36830

- 6 AVAILABLE FROM:
McMASTER CARR
600 COUNTY LINE RD
ELMHURST, IL 60126
- 7 LUBRICATE THREADED SURFACE OF ITEM 13, 18, AND 20 WITH THRED-GARD ANTI-SEIZE COMPOUND FROM FEDERAL PROCESS CORP, CLEVELAND, OH.
- 8 TORQUE ITEM NO. 13 TO 18 ft-lbs.
TORQUE ITEM NO. 18 AND 20 TO 38 ft-lbs.
- 9 SHIM AS REQUIRED BETWEEN ITEM 2, 3 AND 5



10 MEASURE DISTANCE FROM LOWER BLOCK MOUNTING HOLES TO BASE OF TEE. GRIND BOLT LENGTH IF REQUIRED TO PREVENT BOLT FROM TOUCHING TEE. MINIMUM BOLT ENGAGEMENT SHALL BE .3125 IN.

11. ALL FASTENERS GOING INTO THE GIICR LEAD BLOCKS SHALL BE COATED WITH RTV 108 TO PREVENT THE FASTENERS FROM VIBRATING LOOSE.

QTY	AR	DESCRIPTION	MATERIAL	SPECIFICATION	FIND NO
9		-24 SHIM	UNS S31600		24
2		SE142C-203 TYPE-C SPECIAL CHILL PLATES ASM			23
1		-22 COOLING TUBE "B" 43.06 -0 +1.00 LG.	UNS C10100 OR C10200		22
1		-21 COOLING TUBE "A" 41.56 -0 +1.00 LG.	UNS C10100 OR C10200		21
6 7 8 10		2 -20 SCREW, 1/2-13 UNC X 1.25 LNG LOW HEAD SOC HD CAP	UNS S31600		20
6		4 -19 WASHER .53 ID .875 OD .06 THK FLAT	UNS S31600		19
6 7 8 10		2 -18 SCREW 1/2-13UNC X 1.00 LNG LOW HEAD SOC HD CAP	UNS S31600		18
6		4 92185A626 SCREW 3/8-16 UNC X 1.25 SOC HD CAP	UNS S31600		17
6		4 92185A544 SCREW 1/4-20 UNC X 1.25 SOC HD CAP	UNS S31600		16
6		2 92185A542 SCREW 1/4-20 UNC X 1.00 LNG SOC HD CAP	UNS S31600		15
6		26 92185A540 SCREW 1/4-20 UNC X .75 LNG SOC HD CAP	UNS S31600		14
6 7 8		1 92185A632 SCREW 3/8-16 UNC X 2 LNG SOC HD CAP	UNS S31600		13
1		SE142C-285 TOP POSITIONING BUSHING			12
1		SE142C-184 TYPE-C LEADS ENCLOSURE TOP PLATE			11
1		SE142C-221 TYPE "C" SIDE "B" COVER PLATE			10
1		SE142C-220 TYPE "C" SIDE "A" COVER PLATE			9
2		SE142C-183 LEADS AREA CHILL PLATE			8
8		SE142C-226 LEADS FILLER STRIPS			7
1		SE142C-137 TYPE "C" SIDE "B" UPPER BLOCK			6
1		SE142C-135 TYPE "C" SIDE "B" LOWER BLOCK			5
1		SE142C-136 TYPE "C" SIDE "A" UPPER BLOCK			4
1		SE142C-134 TYPE "C" SIDE "A" LOWER BLOCK			3
1		SE141-123 MCWF TYPE "C" WELDMENT			2
1		LEADS BLOCK ASSEMBLY			1

RELEASED FOR FABRICATION / INSTALLATION
PPPL Drafting

NO REPRESENTATION OR WARRANTY, EXPRESSED OR IMPLIED, IS MADE AS TO THE ACCURACY, COMPLETENESS OR USEFULNESS OF THE INFORMATION OR STATEMENTS CONTAINED IN THESE DRAWINGS, OR THAT THE USE OR DISCLOSURE OF ANY INFORMATION, APPARATUS, METHOD OR PROCESS DISCLOSED IN THESE DRAWINGS MAY NOT INFRINGE PRIVATE RIGHTS OF OTHERS. NO LIABILITY IS ASSUMED WITH RESPECT TO THE USE OF, OR FOR DAMAGES RESULTING FROM THE USE OF, ANY INFORMATION, APPARATUS, METHOD OR PROCESS DISCLOSED IN THESE DRAWINGS. DRAWINGS MADE AVAILABLE FOR PURPOSES, AND ARE TO BE RETURNED UPON REQUEST OF THE FORWARDING CONTRACTOR.

P THIS DRAWING PRODUCED ON PRO-ENGINEER

SCALE NOTED

DES	D WILLIAMSON	01/06
DRW	G LOVETT	01/06
CHK	M. J. COLE	01/06
SECT		
DEPT		
PE	D WILLIAMSON	01/06
CR		
PJ		
RED		
BREAK SHARP EDGES OR MAX FINISH	±.005 UNLESS OTHERWISE SPECIFIED	

UT-BATTELLE		Oak Ridge National Laboratory managed for the DEPARTMENT OF ENERGY under U.S. GOVERNMENT contract DE-AC05-00OR22725 UT-BATTELLE, LLC, Oak Ridge, Tennessee	
PROJECT NAME: NATIONAL COMPACT STELLARATOR EXPERIMENT			
LEADS WINDING BLOCKS ASSEMBLY			
VERSION NO.	PLANT	BLDG	FL SHT OF TYPE CLASS
3	X-10	5700	3 1 1 S U
RELEASE LEVEL		SE142C-080	
Fabrication			

REV	FIND NO.	DESCRIPTION	BY	DATE	CHK	DEPT	DATE	PE	REQ	DATE	ORNL	DOE	DATE
1		FIND NO. 23 REVISED PER ECN 5140	GLL	11-06	MJC		11-06	DEW					