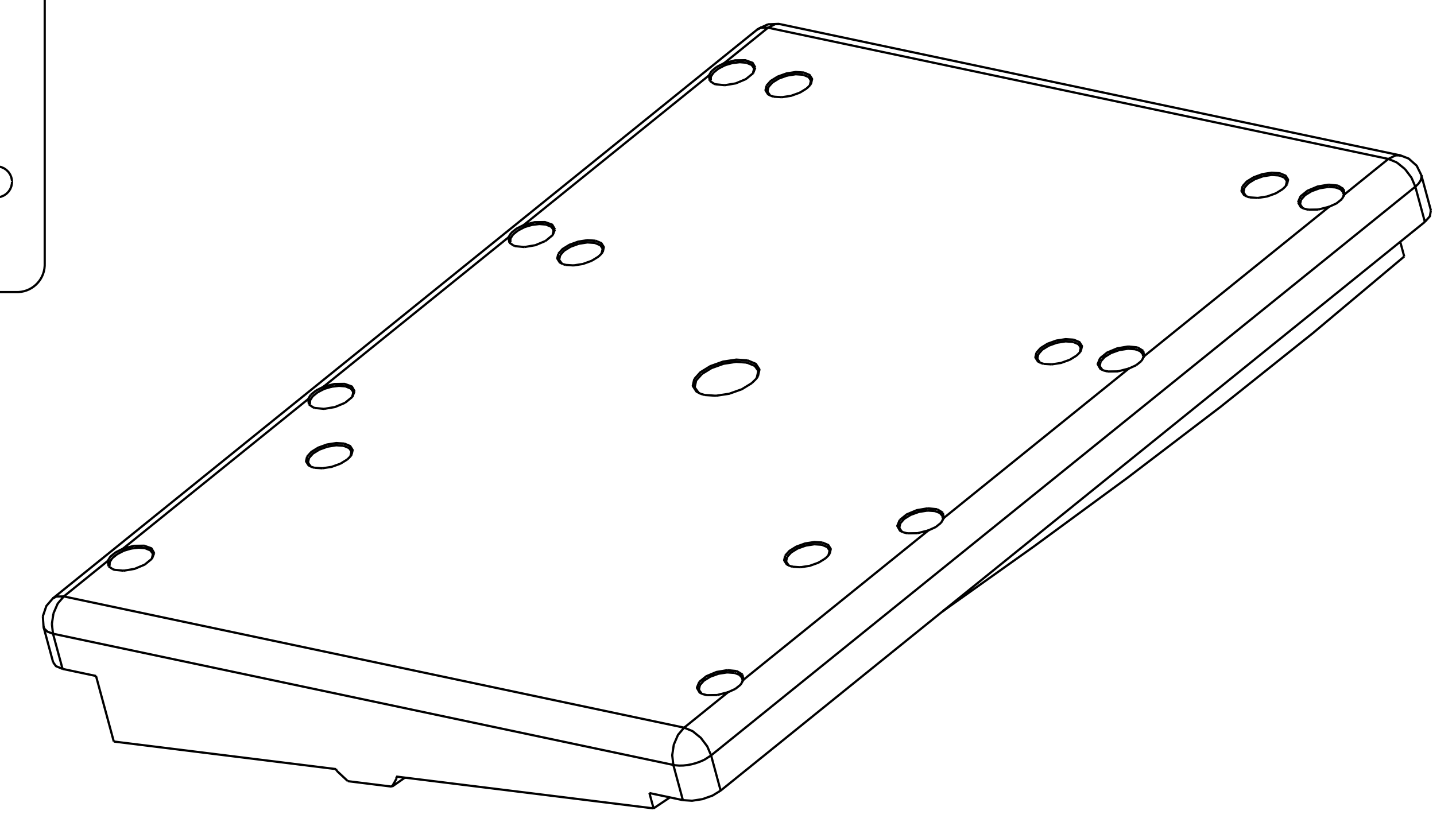
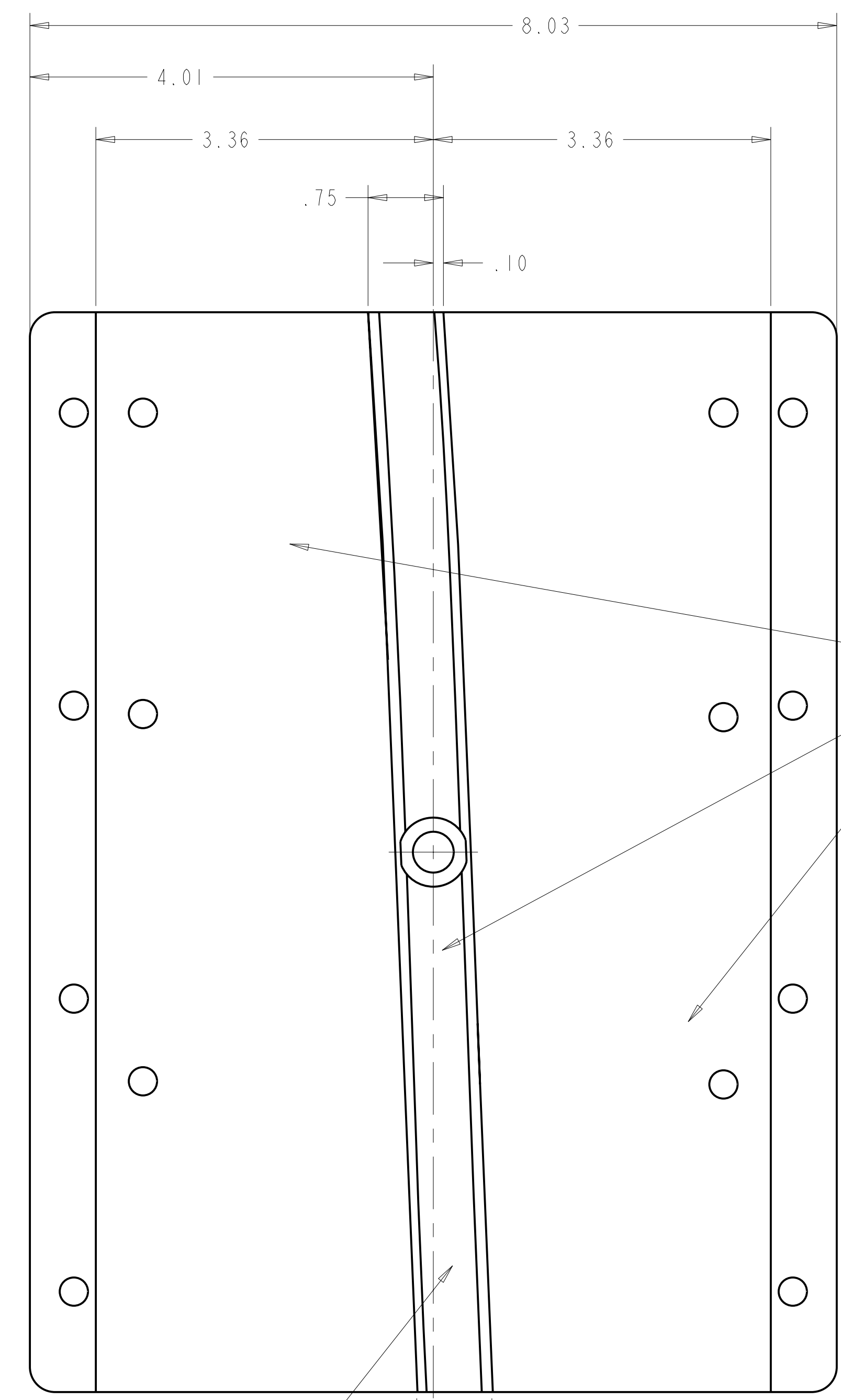
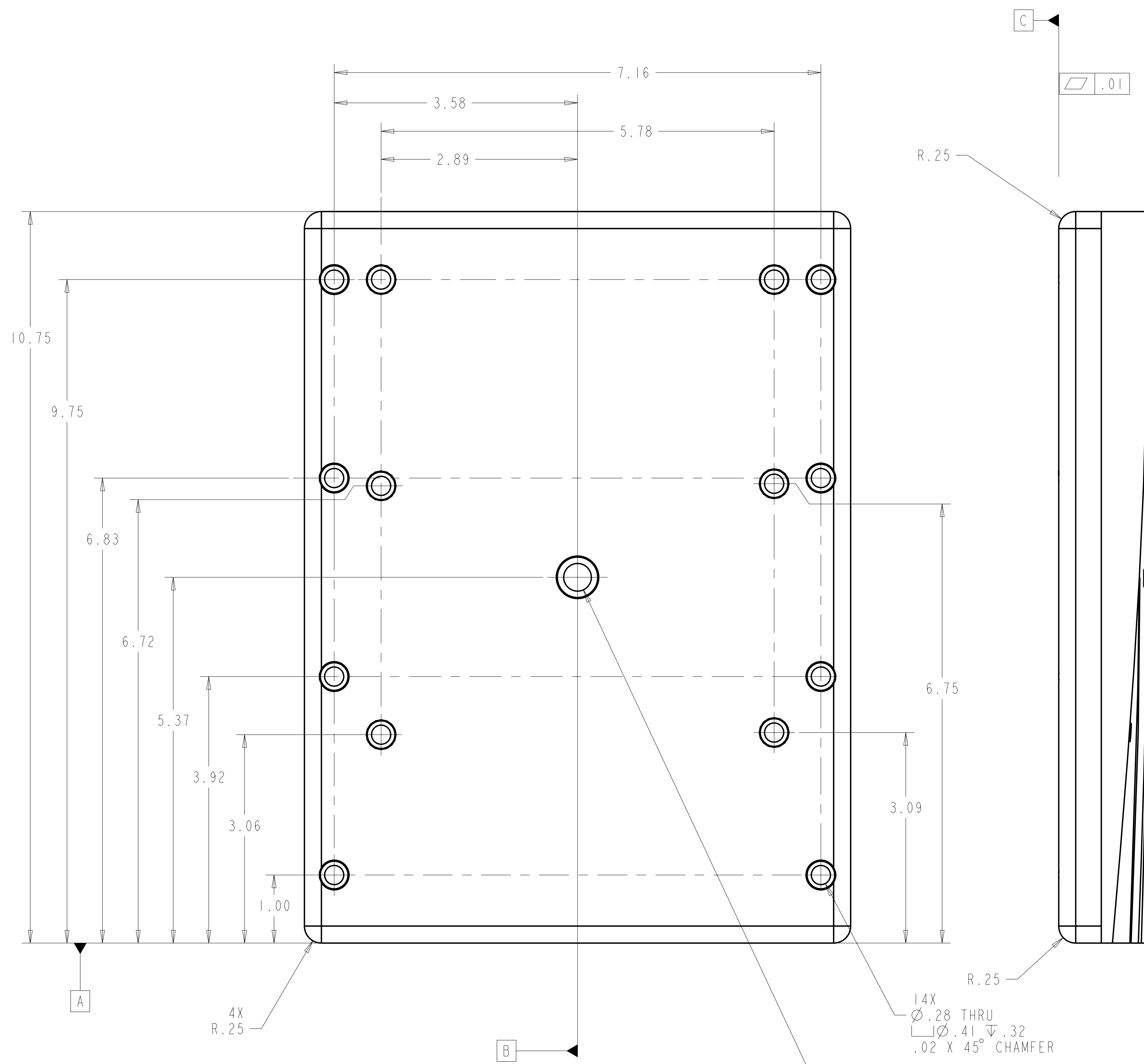
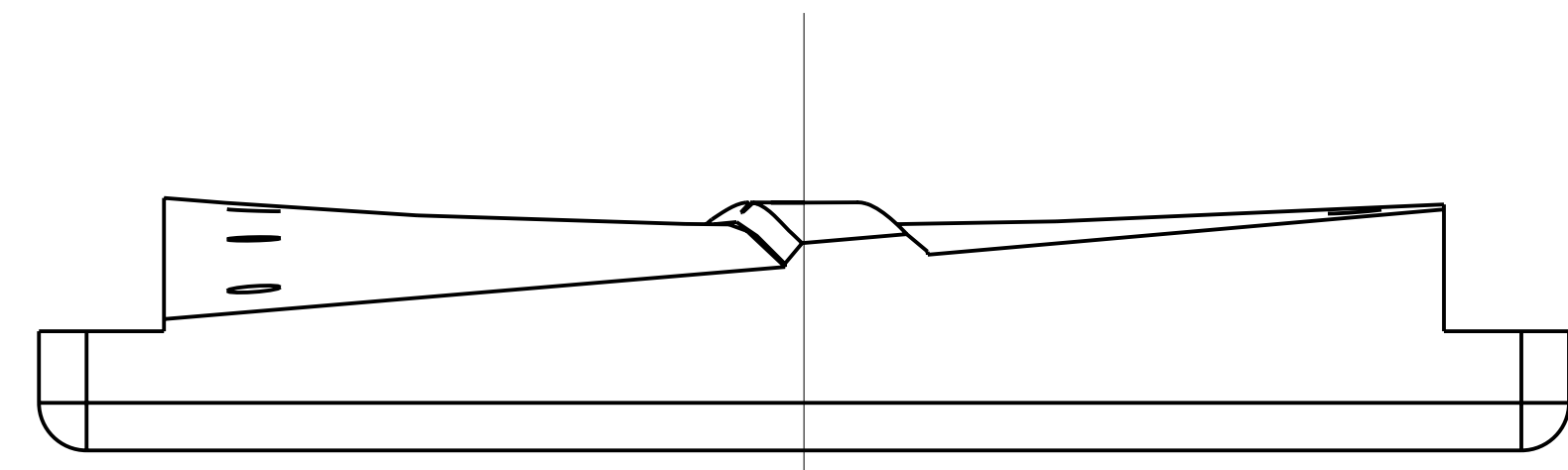


NOTES:

1. INTERPRET DIMENSIONS AND TOLERANCES PER ANSI Y14.5M
2. DIMENSIONS ARE IN INCHES
3. DIMENSIONS APPLY AT ROOM TEMPERATURE, OPERATING TEMP 80 K.
4. GEOMETRY IS DEFINED IN PRO ENGINEER CAD MODELS/FILES SEI42C-184.PRT
5. DRAWING AND MODELS COMBINED DEFINE FINISHED MACHINED PART.



ISOMETRIC VIEW

RELEASED FOR FABRICATION / INSTALLATION
PPPL Drafting:

AR	CAGE CODE	PART OR IDENTIFYING NO	TOP PLATE NOMENCLATURE OR DESCRIPTION	NEMA GRADE G-11CR MATERIAL / SPECIFICATION	FIND NO
SEI40-103					
			NEXT ASSEMBLY	PARTS LIST	

NO REPRESENTATION OR WARRANTY, EXPRESSED OR IMPLIED, IS MADE AS TO THE ACCURACY, COMPLETENESS OR USEFULNESS OF THE INFORMATION OR STATEMENTS CONTAINED IN THESE DRAWINGS, OR THAT THE USE OR DISCLOSURE OF ANY INFORMATION, APPARATUS, METHOD OR PROCESS DISCLOSED IN THESE DRAWINGS MAY NOT INFRINGE PRIVATE RIGHTS OF OTHERS. NO LIABILITY IS ASSUMED WITH RESPECT TO THE USE OF, OR FOR DAMAGES RESULTING FROM THE USE OF, ANY INFORMATION, APPARATUS, METHOD OR PROCESS DISCLOSED IN THESE DRAWINGS. DRAWINGS MADE AVAILABLE FOR INFORMATION TO BIDDER ARE NOT TO BE USED FOR OTHER PURPOSES, AND ARE TO BE RETURNED UPON REQUEST OF THE FORWARDING CONTRACTOR.

P THIS DRAWING PRODUCED ON PRO-ENGINEER

REV	DESCRIPTION	BY	DATE	CHK	DEPT	DATE	PE	REQ	DATE	ORNL	DOE	DATE
1	MODIFIED CENTER RIB PER ECN-5140	GLL	7-08	MJC			DEW					

SCALE NOTED		DES PJ FOGARTY	06/05
TOLERANCES UNLESS OTHERWISE SPECIFIED		DRW GARY LOVETT	06/05
FRACTIONS		CHK M COLE	06/05
XX DECIMALS ±.01		SECT :	
XXX DECIMALS ±.005		DEPT :	
ANGLES ±0°15'		PE D WILLIAMSON	06/05
BREAK SHARP EDGES OR MAX		CR :	
FINISH .125 UNLESS OTHERWISE SPECIFIED		PJ :	
		REQ :	
		REO :	
		PPPL DRFT J SIEGEL	06/05
		DATE :	
		DRAWING APPROVALS	DATE

UT-BATTELLE		Oak Ridge National Laboratory managed for the DEPARTMENT OF ENERGY under U.S. GOVERNMENT CONTRACT DE-AC05-00OR22725 UT-BATTELLE, LLC, Oak Ridge, Tennessee	
PROJECT NAME: NATIONAL COMPACT STELLARATOR EXPERIMENT			
MODULAR COILTYPE-C LEADS ENCLOSURE TOP PLATE DETAILS			
VERSION NO.	PLANT	BLDG	FL
3	X-10	5700	3
RELEASE LEVEL	Fabrication		
SEI42C-184			