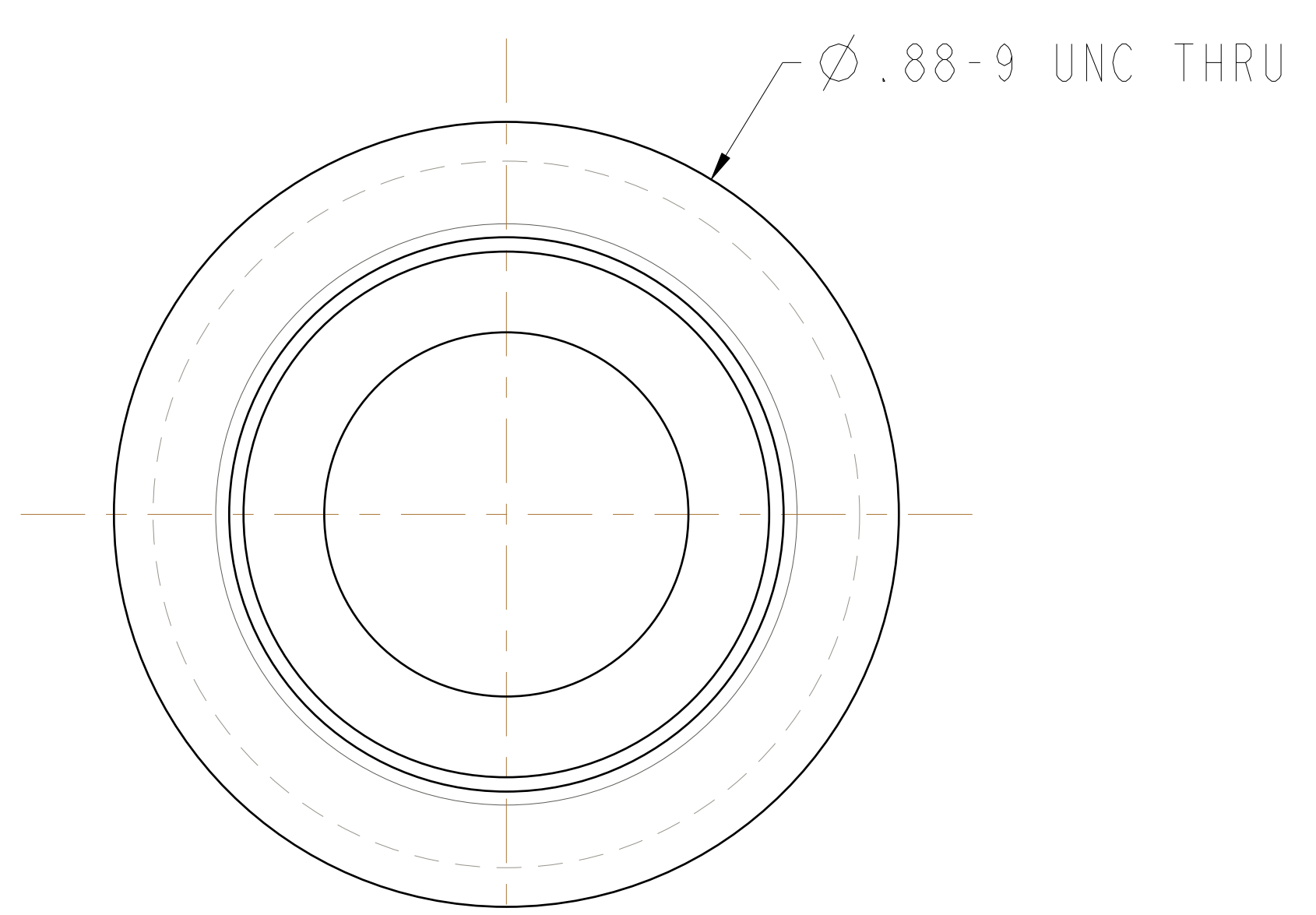


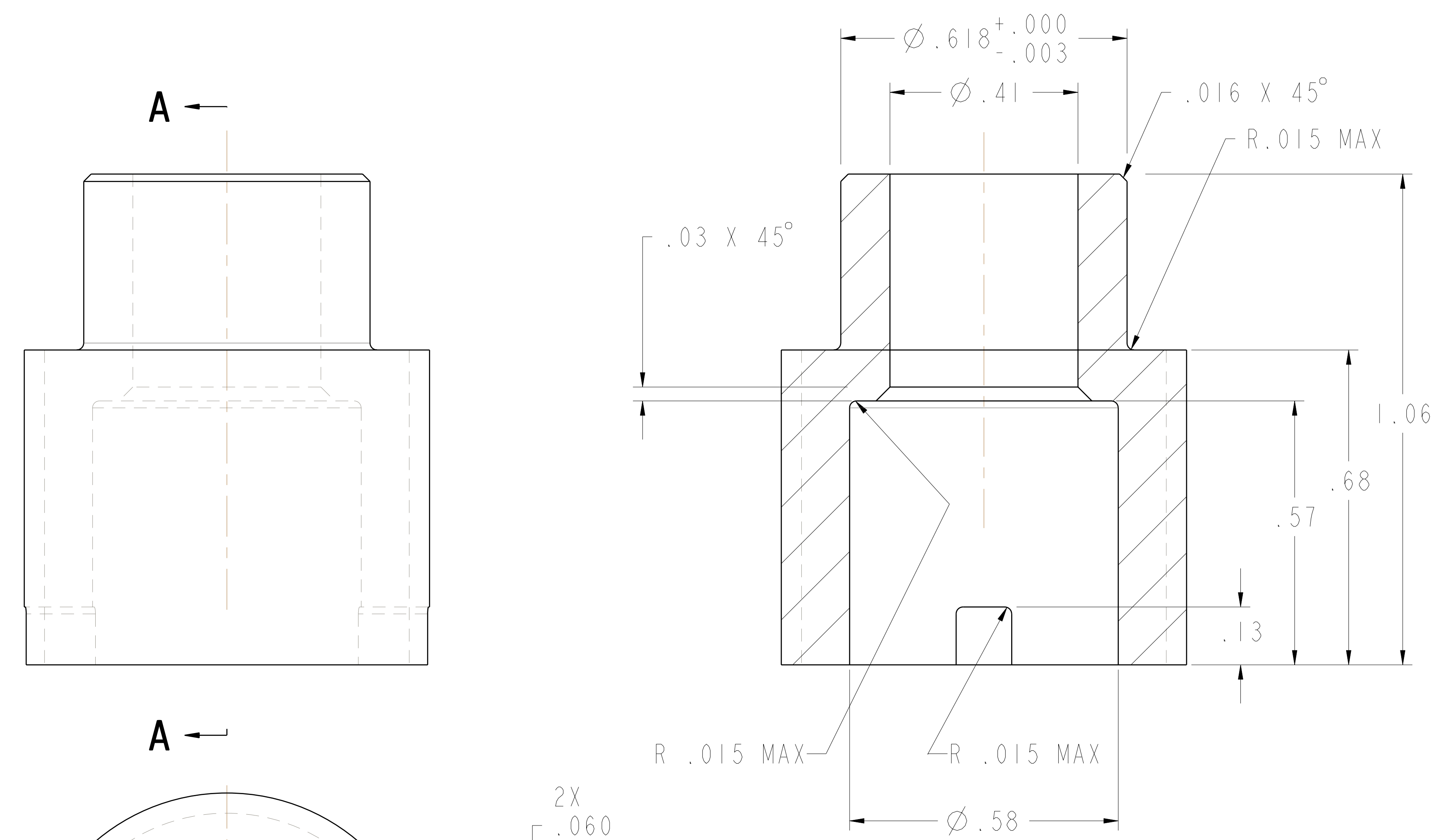
ISOMETRIC VIEW



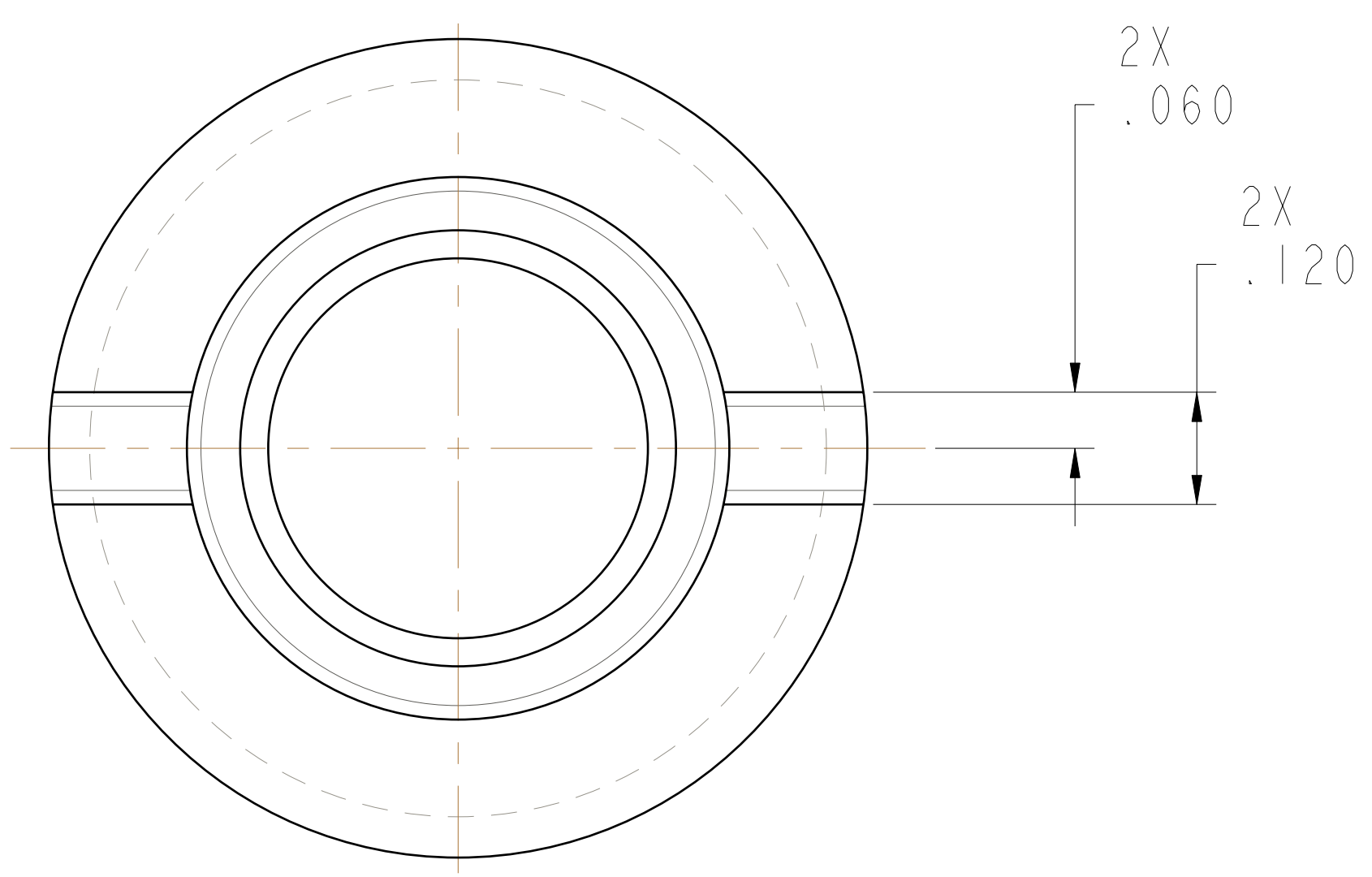
- NOTES:
- DRAWING PREPARED IN ACCORDANCE WITH ASME Y14.100-2000.
 - INTERPRET DIMENSIONS AND TOLERANCES PER ASME Y14.5M-1994.
 - DIMENSIONS ARE IN INCHES.
 - DIMENSIONS APPLY AT ROOM TEMPERATURE. OPERATING TEMP 80 K.
 - GEOMETRY IS DEFINED IN PRO ENGINEER CAD MODELS/FILES
 - DRAWING AND MODELS COMBINED DEFINE FINISHED MACHINED PART
 - MAGNETIC PERMABILITY SHALL NOT EXCEED 1.02 AS TESTED BY A SEVERN-TYPE INDICATOR. AVAILABLE FROM:

SEVERN ENGINEERING COMPANY
 555 OLD STAGE ROAD SUITE 14
 AUBURN, ALABAMA 36830

- SILVER PLATE PER AMS 2410J. PLATING THICKNESS .0002 TO .0005 INCH



SECTION A-A



**RELEASED FOR
 FABRICATION / INSTALLATION**
 PPPL Drafting:

SE 142C-294	AR	X	-1	BUSHING, SPACER MODIFIED	UNS S31600		
	CAGE CODE	PART OR IDENTIFYING NO	NOMENCLATURE OR DESCRIPTION	MATERIAL	SPECIFICATION	FIND NO	
			NEXT ASSEMBLY	PARTS LIST			

1 BUSHING, SPACER MODIFIED

NO REPRESENTATION OR WARRANTY, EXPRESSED OR IMPLIED, IS MADE AS TO THE ACCURACY, COMPLETENESS OR USEFULNESS OF THE INFORMATION OR STATEMENTS CONTAINED IN THESE DRAWINGS, OR THAT THE USE OR DISCLOSURE OF ANY INFORMATION, APPARATUS, METHOD OR PROCESS DISCLOSED IN THESE DRAWINGS MAY NOT INFRINGE PRIVATE RIGHTS OF OTHERS. NO LIABILITY IS ASSUMED WITH RESPECT TO THE USE OF, OR FOR DAMAGES RESULTING FROM THE USE OF, ANY INFORMATION, APPARATUS, METHOD OR PROCESS DISCLOSED IN THESE DRAWINGS. DRAWINGS MADE AVAILABLE FOR INFORMATION TO BIDDER ARE NOT TO BE USED FOR OTHER PURPOSES, AND ARE TO BE RETURNED UPON REQUEST OF THE FORWARDING CONTRACTOR.

P THIS DRAWING PRODUCED ON PRO-ENGINEER

REV	DESCRIPTION	BY	DATE	CHK	DEPT	DATE	PE	REQ	DATE	ORNL	DOE	DATE

SCALE NOTED	DES: BRAD NELSON 03/06	UT-BATTELLE Oak Ridge National Laboratory managed for the DEPARTMENT OF ENERGY under U.S. GOVERNMENT contract DE-AC05-00OR22725 UT-BATTELLE, LLC, Oak Ridge, Tennessee PRODUCT NAME NATIONAL COMPACT STELLARATOR EXPERIMENT
TOLERANCES UNLESS OTHERWISE SPECIFIED	DRW: G LOVETT 03/06	
FRACTIONS	CHK: M COLE 03/06	
XX DECIMALS ±.01	DEPT: :	
XXX DECIMALS ±.005	PE: D WILLIAMSON 03/06	BUSHING, SPACER MODIFIED
ANGLES ±0°15'	CR: :	
BREAK SHARP EDGES .06 MAX	PJ: :	
FINISH .125 UNLESS OTHERWISE SPECIFIED	RED: :	
	PPPL DRFT: J STEGEL 03/06	VERSION NO. 2
		PLANT X-10
		BLDG 5700
		FL 3
		SHT OF 1
		TYPE I
		CLASS S
		REV U
		RELEASE LEVEL Fabrication
		SE 142C-294
		REV 0