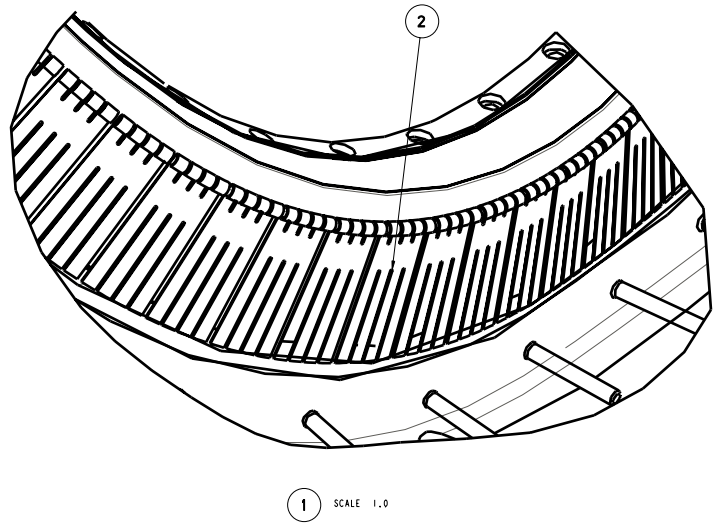
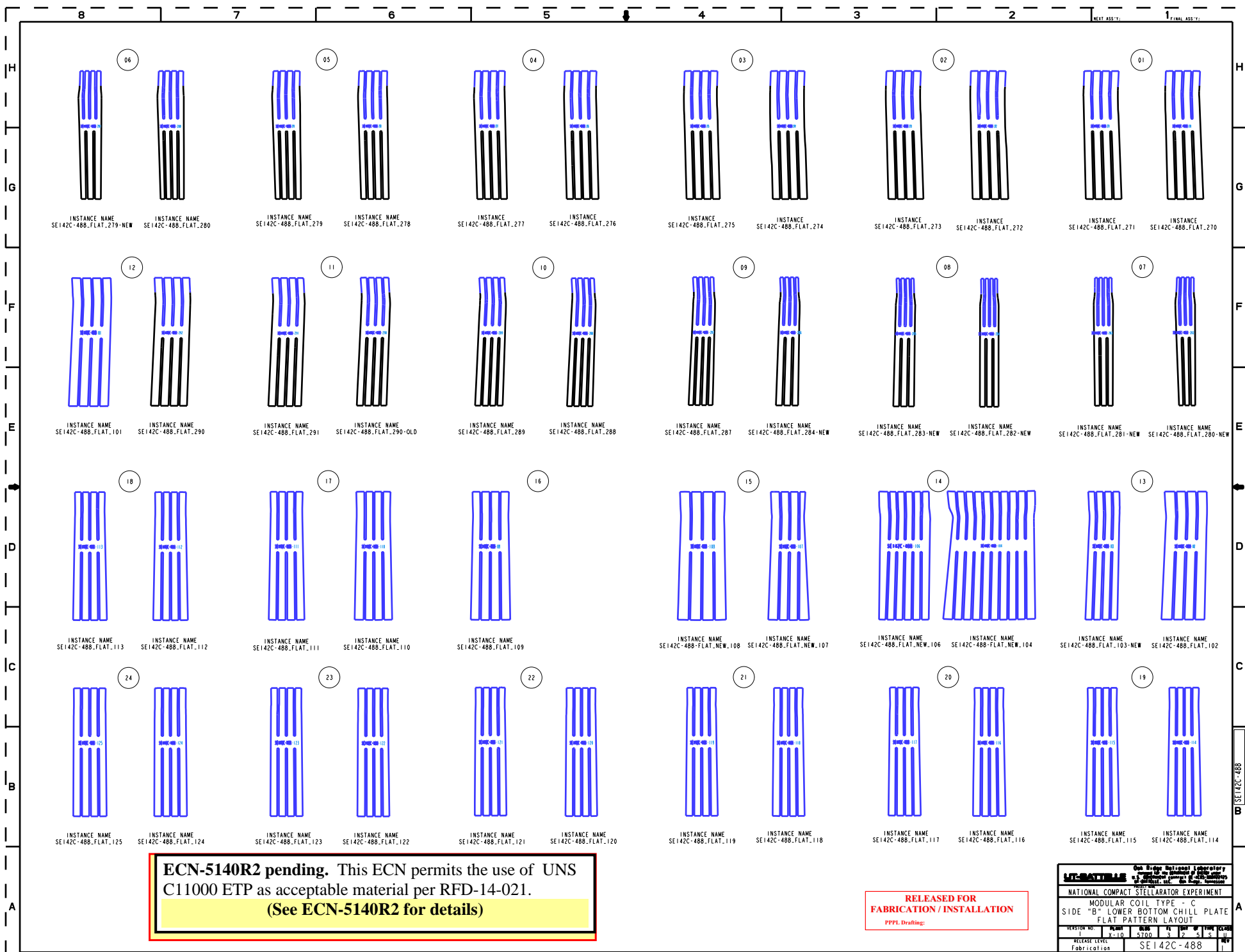


INSTANCE NAME	HOLE	S-DIM	PART NAME	INSTANCE NAME	HOLE	S-DIM	PART NAME
SE142C-488-FLAT-270	1	0.885417	SE142C-488-270	SE142C-488-FLAT-174	49	0.385417	SE142C-488-174
SE142C-488-FLAT-271	2	0.890625	SE142C-488-271	SE142C-488-FLAT-175	50	0.390625	SE142C-488-175
SE142C-488-FLAT-272	3	0.895833	SE142C-488-272	SE142C-488-FLAT-176	51	0.395833	SE142C-488-176
SE142C-488-FLAT-273	4	0.901042	SE142C-488-273	SE142C-488-FLAT-177	50	0.401042	SE142C-488-177
SE142C-488-FLAT-274	5	0.906250	SE142C-488-274	SE142C-488-FLAT-178	51	0.406250	SE142C-488-178
SE142C-488-FLAT-275	3	0.911458	SE142C-488-275	SE142C-488-FLAT-179	50	0.411458	SE142C-488-179
SE142C-488-FLAT-276	4	0.916667	SE142C-488-276	SE142C-488-FLAT-180	50	0.416667	SE142C-488-180
SE142C-488-FLAT-277	4	0.921875	SE142C-488-277	SE142C-488-FLAT-181	52	0.421875	SE142C-488-181
SE142C-488-FLAT-278	5	0.927083	SE142C-488-278	SE142C-488-FLAT-182	53	0.427083	SE142C-488-182
SE142C-488-FLAT-279	5	0.932292	SE142C-488-279	SE142C-488-FLAT-183	53	0.432292	SE142C-488-183
SE142C-488-FLAT-280	6	0.937500	SE142C-488-280	SE142C-488-FLAT-184	54	0.437500	SE142C-488-184
SE142C-488-FLAT-279-NEW	6	0.942708	SE142C-488-279-NEW	SE142C-488-FLAT-185	54	0.442708	SE142C-488-185
SE142C-488-FLAT-280-NEW	7	0.947917	SE142C-488-280-NEW	SE142C-488-FLAT-186	55	0.447917	SE142C-488-186
SE142C-488-FLAT-281-NEW	7	0.953125	SE142C-488-281-NEW	SE142C-488-FLAT-187	55	0.453125	SE142C-488-187
SE142C-488-FLAT-282-NEW	8	0.958333	SE142C-488-282-NEW	SE142C-488-FLAT-188	56	0.458333	SE142C-488-188
SE142C-488-FLAT-283-NEW	8	0.963542	SE142C-488-283-NEW	SE142C-488-FLAT-189	56	0.463542	SE142C-488-189
SE142C-488-FLAT-284-NEW	9	0.968750	SE142C-488-284-NEW	SE142C-488-FLAT-190	57	0.468750	SE142C-488-190
SE142C-488-FLAT-287	9	0.973958	SE142C-488-287	SE142C-488-FLAT-191	57	0.473958	SE142C-488-191
SE142C-488-FLAT-288	10	0.979167	SE142C-488-288	SE142C-488-FLAT-192	58	0.479167	SE142C-488-192
SE142C-488-FLAT-289	10	0.984375	SE142C-488-289	SE142C-488-FLAT-193	58	0.484375	SE142C-488-193
SE142C-488-FLAT-290-OLD	11	0.989583	SE142C-488-290-OLD	SE142C-488-FLAT-194	59	0.489583	SE142C-488-194
SE142C-488-FLAT-291	11	0.994792	SE142C-488-291	SE142C-488-FLAT-195-NEW	59	0.494792	SE142C-488-195
SE142C-488-FLAT-290	12	0.000000	SE142C-488-290	SE142C-488-FLAT-196	60	0.500000	SE142C-488-196
SE142C-488-FLAT-101	12	0.005208	SE142C-488-101	SE142C-488-FLAT-197	60	0.505208	SE142C-488-197
SE142C-488-FLAT-102	13	0.010417	SE142C-488-102	SE142C-488-FLAT-NEW-198	61	0.510417	SE142C-488-198
SE142C-488-FLAT-103-NEW	13	0.015625	SE142C-488-103-NEW	SE142C-488-FLAT-NEW-199	61	0.515625	SE142C-488-199
SE142C-488-FLAT-NEW-104	14	0.019342	SE142C-488-104	SE142C-488-FLAT-NEW-200	62	0.520833	SE142C-488-200
SE142C-488-FLAT-NEW-105	14	0.023500	SE142C-488-105	SE142C-488-FLAT-NEW-201	62	0.525042	SE142C-488-201
SE142C-488-FLAT-NEW-107	15	0.036000	SE142C-488-107	SE142C-488-FLAT-202	63	0.531250	SE142C-488-202
SE142C-488-FLAT-NEW-108	15	0.041000	SE142C-488-108	SE142C-488-FLAT-203	63	0.536458	SE142C-488-203
SE142C-488-FLAT-109	16	0.046875	SE142C-488-109	SE142C-488-FLAT-204	64	0.541667	SE142C-488-204
SE142C-488-FLAT-110	16	0.052083	SE142C-488-110	SE142C-488-FLAT-205	65	0.546875	SE142C-488-205
SE142C-488-FLAT-111	17	0.057292	SE142C-488-111	SE142C-488-FLAT-206	64	0.552083	SE142C-488-206
SE142C-488-FLAT-112	18	0.062500	SE142C-488-112	SE142C-488-FLAT-207	65	0.557292	SE142C-488-207
SE142C-488-FLAT-113	18	0.067708	SE142C-488-113	SE142C-488-FLAT-208	66	0.562500	SE142C-488-208
SE142C-488-FLAT-114	19	0.072917	SE142C-488-114	SE142C-488-FLAT-209	66	0.567708	SE142C-488-209
SE142C-488-FLAT-115	19	0.078125	SE142C-488-115	SE142C-488-FLAT-210	67	0.572917	SE142C-488-210
SE142C-488-FLAT-116	20	0.083333	SE142C-488-116	SE142C-488-FLAT-211	67	0.578125	SE142C-488-211
SE142C-488-FLAT-117	20	0.088542	SE142C-488-117	SE142C-488-FLAT-212	68	0.583334	SE142C-488-212
SE142C-488-FLAT-118	21	0.093750	SE142C-488-118	SE142C-488-FLAT-213	68	0.588542	SE142C-488-213
SE142C-488-FLAT-119	21	0.098958	SE142C-488-119	SE142C-488-FLAT-214	69	0.593750	SE142C-488-214
SE142C-488-FLAT-120	22	0.104167	SE142C-488-120	SE142C-488-FLAT-215	69	0.598958	SE142C-488-215
SE142C-488-FLAT-121	22	0.109375	SE142C-488-121	SE142C-488-FLAT-216	70	0.604167	SE142C-488-216
SE142C-488-FLAT-122	23	0.114583	SE142C-488-122	SE142C-488-FLAT-217	70	0.609375	SE142C-488-217
SE142C-488-FLAT-123	23	0.119792	SE142C-488-123	SE142C-488-FLAT-218	71	0.614583	SE142C-488-218
SE142C-488-FLAT-124	24	0.125000	SE142C-488-124	SE142C-488-FLAT-219	71	0.619792	SE142C-488-219
SE142C-488-FLAT-125	24	0.130208	SE142C-488-125	SE142C-488-FLAT-220	72	0.625000	SE142C-488-220
SE142C-488-FLAT-126	25	0.135417	SE142C-488-126	SE142C-488-FLAT-221	72	0.630208	SE142C-488-221
SE142C-488-FLAT-127	25	0.140625	SE142C-488-127	SE142C-488-FLAT-222	73	0.635417	SE142C-488-222
SE142C-488-FLAT-128	26	0.145833	SE142C-488-128	SE142C-488-FLAT-223	73	0.640625	SE142C-488-223
SE142C-488-FLAT-129	27	0.151042	SE142C-488-129	SE142C-488-FLAT-224	74	0.645834	SE142C-488-224
SE142C-488-FLAT-130	27	0.156250	SE142C-488-130	SE142C-488-FLAT-225	74	0.651042	SE142C-488-225
SE142C-488-FLAT-131	27	0.161458	SE142C-488-131	SE142C-488-FLAT-226	75	0.656250	SE142C-488-226
SE142C-488-FLAT-132	28	0.166667	SE142C-488-132	SE142C-488-FLAT-227	75	0.661458	SE142C-488-227
SE142C-488-FLAT-133	28	0.171875	SE142C-488-133	SE142C-488-FLAT-228	76	0.666667	SE142C-488-228
SE142C-488-FLAT-134	29	0.177083	SE142C-488-134	SE142C-488-FLAT-229	77	0.671875	SE142C-488-229
SE142C-488-FLAT-135	29	0.182292	SE142C-488-135	SE142C-488-FLAT-230	77	0.677083	SE142C-488-230
SE142C-488-FLAT-136	30	0.187500	SE142C-488-136	SE142C-488-FLAT-231	77	0.682292	SE142C-488-231
SE142C-488-FLAT-137	30	0.192708	SE142C-488-137	SE142C-488-FLAT-232	78	0.687500	SE142C-488-232
SE142C-488-FLAT-138	31	0.197917	SE142C-488-138	SE142C-488-FLAT-233	78	0.692708	SE142C-488-233
SE142C-488-FLAT-139	31	0.203125	SE142C-488-139	SE142C-488-FLAT-234	79	0.697917	SE142C-488-234
SE142C-488-FLAT-140	32	0.208333	SE142C-488-140	SE142C-488-FLAT-235	79	0.703125	SE142C-488-235
SE142C-488-FLAT-141	32	0.213542	SE142C-488-141	SE142C-488-FLAT-236	80	0.708333	SE142C-488-236
SE142C-488-FLAT-142	33	0.218750	SE142C-488-142	SE142C-488-FLAT-237	80	0.713542	SE142C-488-237
SE142C-488-FLAT-143	33	0.223958	SE142C-488-143	SE142C-488-FLAT-238	81	0.718750	SE142C-488-238
SE142C-488-FLAT-144	34	0.229167	SE142C-488-144	SE142C-488-FLAT-239	81	0.723958	SE142C-488-239
SE142C-488-FLAT-145	34	0.234375	SE142C-488-145	SE142C-488-FLAT-240	82	0.729167	SE142C-488-240
SE142C-488-FLAT-146	35	0.239583	SE142C-488-146	SE142C-488-FLAT-241	82	0.734375	SE142C-488-241
SE142C-488-FLAT-147	35	0.244792	SE142C-488-147	SE142C-488-FLAT-242	83	0.739583	SE142C-488-242
SE142C-488-FLAT-148	36	0.250000	SE142C-488-148	SE142C-488-FLAT-243	83	0.744792	SE142C-488-243
SE142C-488-FLAT-149	36	0.255208	SE142C-488-149	SE142C-488-FLAT-244	84	0.750000	SE142C-488-244
SE142C-488-FLAT-150	37	0.260417	SE142C-488-150	SE142C-488-FLAT-245	84	0.755208	SE142C-488-245
SE142C-488-FLAT-151	37	0.265625	SE142C-488-151	SE142C-488-FLAT-246	85	0.760417	SE142C-488-246
SE142C-488-FLAT-152	38	0.270833	SE142C-488-152	SE142C-488-FLAT-247	85	0.765625	SE142C-488-247
SE142C-488-FLAT-153	38	0.276042	SE142C-488-153	SE142C-488-FLAT-248	86	0.770833	SE142C-488-248
SE142C-488-FLAT-154	39	0.281250	SE142C-488-154	SE142C-488-FLAT-249	86	0.776042	SE142C-488-249
SE142C-488-FLAT-155	39	0.286458	SE142C-488-155	SE142C-488-FLAT-250	87	0.781250	SE142C-488-250
SE142C-488-FLAT-156	40	0.291667	SE142C-488-156	SE142C-488-FLAT-251	87	0.786458	SE142C-488-251
SE142C-488-FLAT-157	40	0.296875	SE142C-488-157	SE142C-488-FLAT-252	87	0.791667	SE142C-488-252
SE142C-488-FLAT-158	41	0.302083	SE142C-488-158	SE142C-488-FLAT-253	88	0.796875	SE142C-488-253
SE142C-488-FLAT-159	41	0.307292	SE142C-488-159	SE142C-488-FLAT-254	89	0.802083	SE142C-488-254
SE142C-488-FLAT-160	42	0.312500	SE142C-488-160	SE142C-488-FLAT-255	89	0.807292	SE142C-488-255
SE142C-488-FLAT-161	42	0.317708	SE142C-488-161	SE142C-488-FLAT-256	90	0.812500	SE142C-488-256
SE142C-488-FLAT-162	43	0.322917	SE142C-488-162	SE142C-488-FLAT-257	90	0.817708	SE142C-488-257
SE142C-488-FLAT-163	43	0.328125	SE142C-488-163	SE142C-488-FLAT-258	91	0.822917	SE142C-488-258
SE142C-488-FLAT-164	44	0.333333	SE142C-488-164	SE142C-488-FLAT-259	91	0.828125	SE142C-488-259
SE142C-488-FLAT-165	44	0.338542	SE142C-488-165	SE142C-488-FLAT-260	92	0.833333	SE142C-488-260
SE142C-488-FLAT-166	45	0.343750	SE142C-488-166	SE142C-488-FLAT-261	92	0.838542	SE142C-488-261
SE142C-488-FLAT-167	45	0.348958	SE142C-488-167	SE142C-488-FLAT-262	93	0.843750	SE142C-488-262
SE142C-488-FLAT-168	46	0.354167	SE142C-488-168	SE142C-488-FLAT-263	93	0.848958	SE142C-488-263
SE142C-488-FLAT-169	46	0.359375	SE142C-488-169	SE142C-488-FLAT-264	94	0.854167	SE142C-488-264
SE142C-488-FLAT-170	47	0.364583	SE142C-488-170	SE142C-488-FLAT-265	94	0.859375	SE142C-488-265
SE142C-488-FLAT-171	47	0.369792	SE142C-488-171	SE142C-488-FLAT-266	95	0.864583	SE142C-488-266
SE142C-488-FLAT-172	48	0.375000	SE142C-488-172	SE142C-488-FLAT-267	95	0.869792	SE142C-488-267
SE142C-488-FLAT-173	48	0.380208	SE142C-488-173	SE142C-488-FLAT-268	96	0.875000	SE142C-488-268
				SE142C-488-FLAT-269	96	0.880208	SE142C-488-269

- NOTES
- DRAWING PREPARED IN ACCORDANCE WITH ASME Y14.100-2000.
  - INTERPRET DIMENSIONS AND TOLERANCES PER ANSI Y14.5M-1994.
  - DIMENSIONS ARE IN INCHES.
  - DRAWING DEPICTS FLAT PATTERN OF FORMED PARTS DEFINED BY PRO/ENGINEER FILES SE142C-488-XXX.PRT.
  - PROFILE TOLERANCE OF FLAT PATTERN IS +/- .010 IN.
  - THICKNESS IS 0.040 +/- .006 IN. PER ASTM B248.
  - REMOVE ALL BURRS AND SHARP EDGES.
  - IDENTIFY ALL PARTS WITH "PART NAME" BY ETCHING OR PERMANENT MARKER.

**ECN-5140R2 pending.** This ECN permits the use of UNS C11000 ETP as acceptable material per RFD-14-021.  
(See ECN-5140R2 for details)





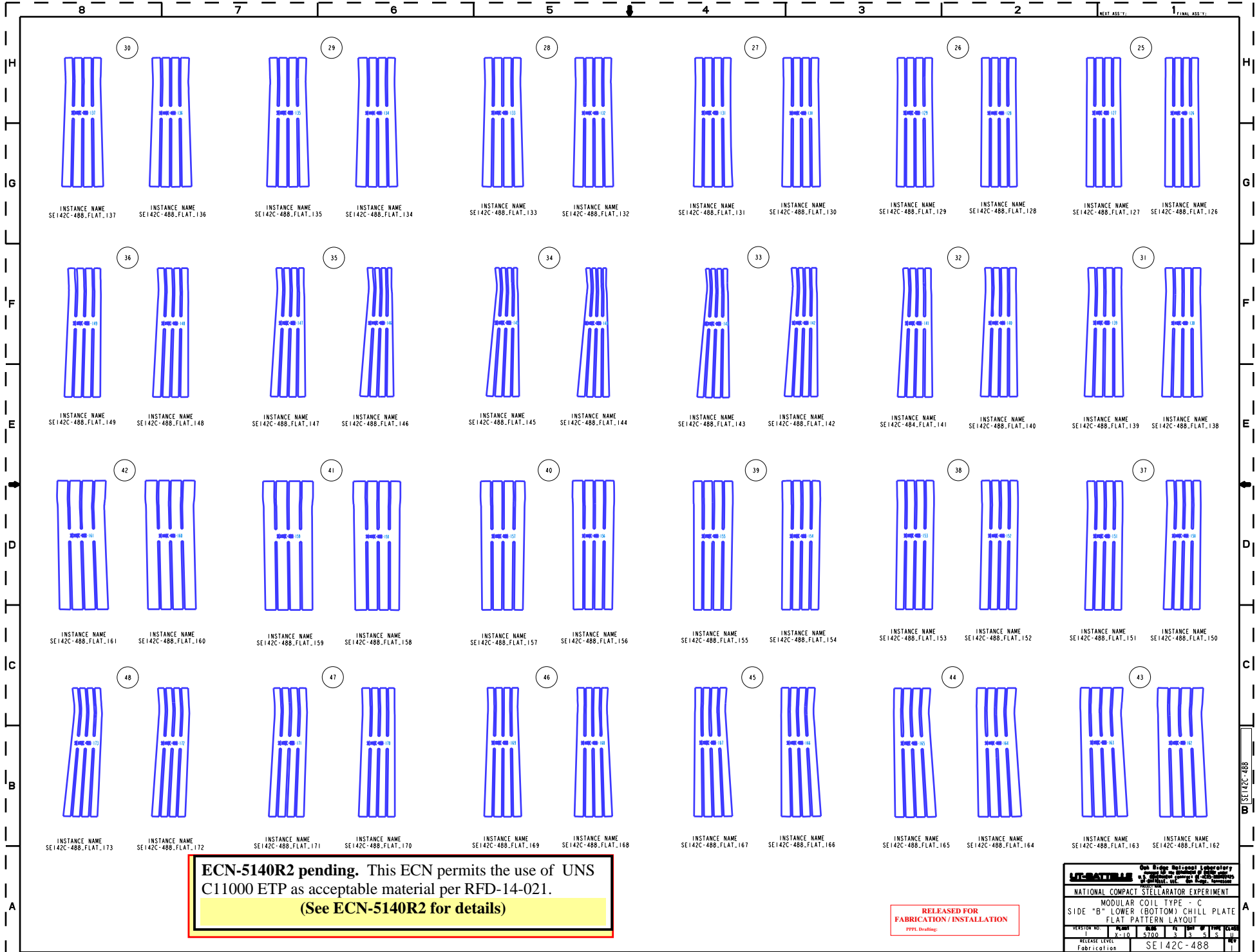
**ECN-5140R2 pending.** This ECN permits the use of UNS C11000 ETP as acceptable material per RFD-14-021.  
 (See ECN-5140R2 for details)

RELEASED FOR  
 FABRICATION / INSTALLATION  
 PPPL Drafting

**MITCHELL** Oak Ridge National Laboratory  
 NATIONAL COMPACT STELLARATOR EXPERIMENT  
 MODULAR COIL TYPE - C  
 SIDE "B" LOWER BOTTOM CHILL PLATE  
 FLAT PATTERN LAYOUT

VERSION NO:	1	REVISED	DATE	BY	CHK'D BY
RELEASE LEVEL	1	2	3	4	5
Fabrication					

SEI42C-488



INSTANCE\_NAME  
SEI42C-488.FLAT\_137

INSTANCE\_NAME  
SEI42C-488.FLAT\_136

INSTANCE\_NAME  
SEI42C-488.FLAT\_135

INSTANCE\_NAME  
SEI42C-488.FLAT\_134

INSTANCE\_NAME  
SEI42C-488.FLAT\_133

INSTANCE\_NAME  
SEI42C-488.FLAT\_132

INSTANCE\_NAME  
SEI42C-488.FLAT\_131

INSTANCE\_NAME  
SEI42C-488.FLAT\_130

INSTANCE\_NAME  
SEI42C-488.FLAT\_129

INSTANCE\_NAME  
SEI42C-488.FLAT\_128

INSTANCE\_NAME  
SEI42C-488.FLAT\_127

INSTANCE\_NAME  
SEI42C-488.FLAT\_126

INSTANCE\_NAME  
SEI42C-488.FLAT\_149

INSTANCE\_NAME  
SEI42C-488.FLAT\_148

INSTANCE\_NAME  
SEI42C-488.FLAT\_147

INSTANCE\_NAME  
SEI42C-488.FLAT\_146

INSTANCE\_NAME  
SEI42C-488.FLAT\_145

INSTANCE\_NAME  
SEI42C-488.FLAT\_144

INSTANCE\_NAME  
SEI42C-488.FLAT\_143

INSTANCE\_NAME  
SEI42C-488.FLAT\_142

INSTANCE\_NAME  
SEI42C-488.FLAT\_141

INSTANCE\_NAME  
SEI42C-488.FLAT\_140

INSTANCE\_NAME  
SEI42C-488.FLAT\_139

INSTANCE\_NAME  
SEI42C-488.FLAT\_138

INSTANCE\_NAME  
SEI42C-488.FLAT\_161

INSTANCE\_NAME  
SEI42C-488.FLAT\_160

INSTANCE\_NAME  
SEI42C-488.FLAT\_159

INSTANCE\_NAME  
SEI42C-488.FLAT\_158

INSTANCE\_NAME  
SEI42C-488.FLAT\_157

INSTANCE\_NAME  
SEI42C-488.FLAT\_156

INSTANCE\_NAME  
SEI42C-488.FLAT\_155

INSTANCE\_NAME  
SEI42C-488.FLAT\_154

INSTANCE\_NAME  
SEI42C-488.FLAT\_153

INSTANCE\_NAME  
SEI42C-488.FLAT\_152

INSTANCE\_NAME  
SEI42C-488.FLAT\_151

INSTANCE\_NAME  
SEI42C-488.FLAT\_150

INSTANCE\_NAME  
SEI42C-488.FLAT\_173

INSTANCE\_NAME  
SEI42C-488.FLAT\_172

INSTANCE\_NAME  
SEI42C-488.FLAT\_171

INSTANCE\_NAME  
SEI42C-488.FLAT\_170

INSTANCE\_NAME  
SEI42C-488.FLAT\_169

INSTANCE\_NAME  
SEI42C-488.FLAT\_168

INSTANCE\_NAME  
SEI42C-488.FLAT\_167

INSTANCE\_NAME  
SEI42C-488.FLAT\_166

INSTANCE\_NAME  
SEI42C-488.FLAT\_165

INSTANCE\_NAME  
SEI42C-488.FLAT\_164

INSTANCE\_NAME  
SEI42C-488.FLAT\_163

INSTANCE\_NAME  
SEI42C-488.FLAT\_162

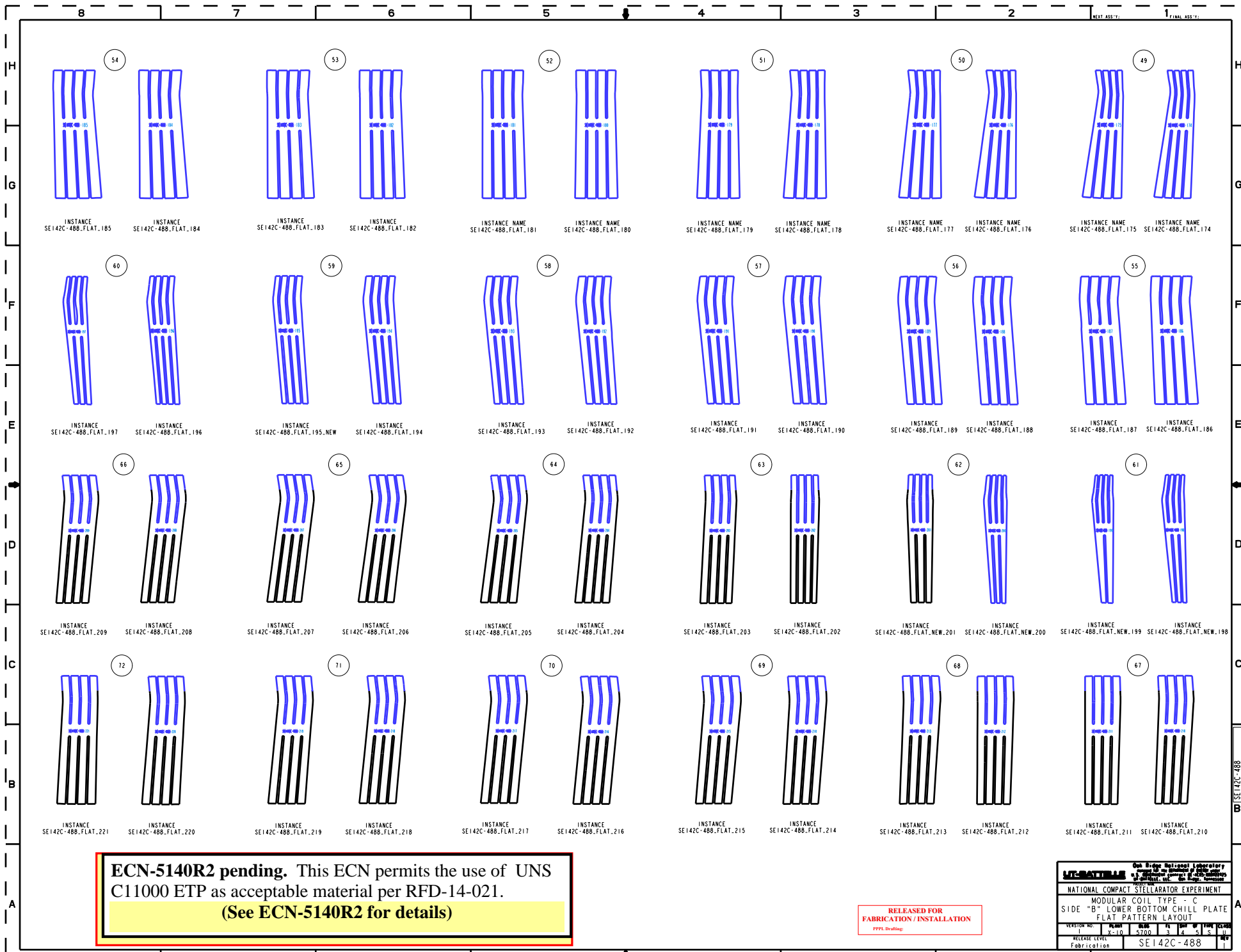
**ECN-5140R2 pending.** This ECN permits the use of UNS C11000 ETP as acceptable material per RFD-14-021.  
**(See ECN-5140R2 for details)**

RELEASED FOR  
FABRICATION / INSTALLATION  
PPPL Drafting

**MTC MATERIAL** Our High Purity Laboratory  
Material is an Inert Gas Environment  
Product of the MTC Process

NATIONAL COMPACT STELLARATOR EXPERIMENT  
MODULAR COIL TYPE - C  
SIDE "B" LOWER (BOTTOM) CHILL PLATE  
FLAT PATTERN LAYOUT

VERSION NO:	REV:	DATE:	BY:	CHK'D BY:	DATE:
1	1	5/20/00	13	51	5/11/00
RELEASE LEVEL:	Fabrication				
SEI42C-488					

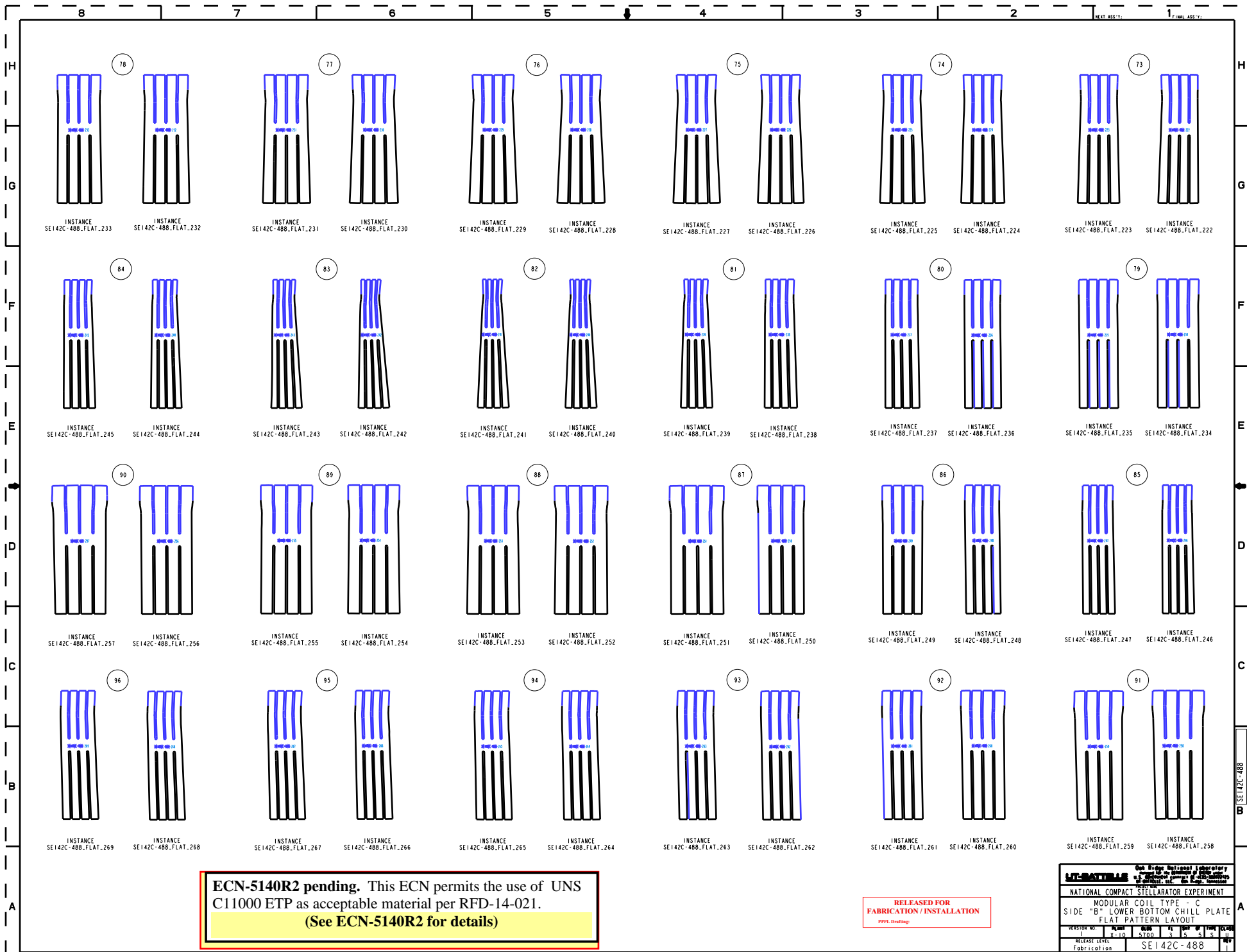


**ECN-5140R2 pending.** This ECN permits the use of UNS C11000 ETP as acceptable material per RFD-14-021.  
 (See ECN-5140R2 for details)

RELEASED FOR  
 FABRICATION / INSTALLATION  
 PPFL Drafting

<b>MTC/STRAL</b>		Oak Ridge National Laboratory <small>managed by Lockheed Martin Research Corp.</small>	
NATIONAL COMPACT STELLARATOR EXPERIMENT			
MODULAR COIL TYPE - C			
SIDE "B" LOWER BOTTOM CHILL PLATE			
FLAT PATTERN LAYOUT			
VERSION NO:	REV:	DATE:	BY:
1	1	12-10-87	SSJ
RELEASE LEVEL:	Fabrication		REV:
	Fabrication		1

SEI42C-488



**ECN-5140R2 pending.** This ECN permits the use of UNS C11000 ETP as acceptable material per RFD-14-021.  
 (See ECN-5140R2 for details)

RELEASED FOR  
 FABRICATION / INSTALLATION  
 PPL Drafting

**MTC/MATRIM** Oak Ridge National Laboratory  
 managed by Lockheed Martin Energy Research Corp.  
 for the U.S. Department of Energy  
 under contract number DE-AC05-84OR21400

NATIONAL COMPACT STELLARATOR EXPERIMENT  
 MODULAR COIL TYPE - C  
 SIDE "B" LOWER BOTTOM CHILL PLATE  
 FLAT PATTERN LAYOUT

VERSION NO:	1	REVISED BY:	PL	DATE:	12/10/88
RELEASE LEVEL:	1	APPROVED BY:	PL	DATE:	12/10/88
Fabrication:					

SEI42C-488