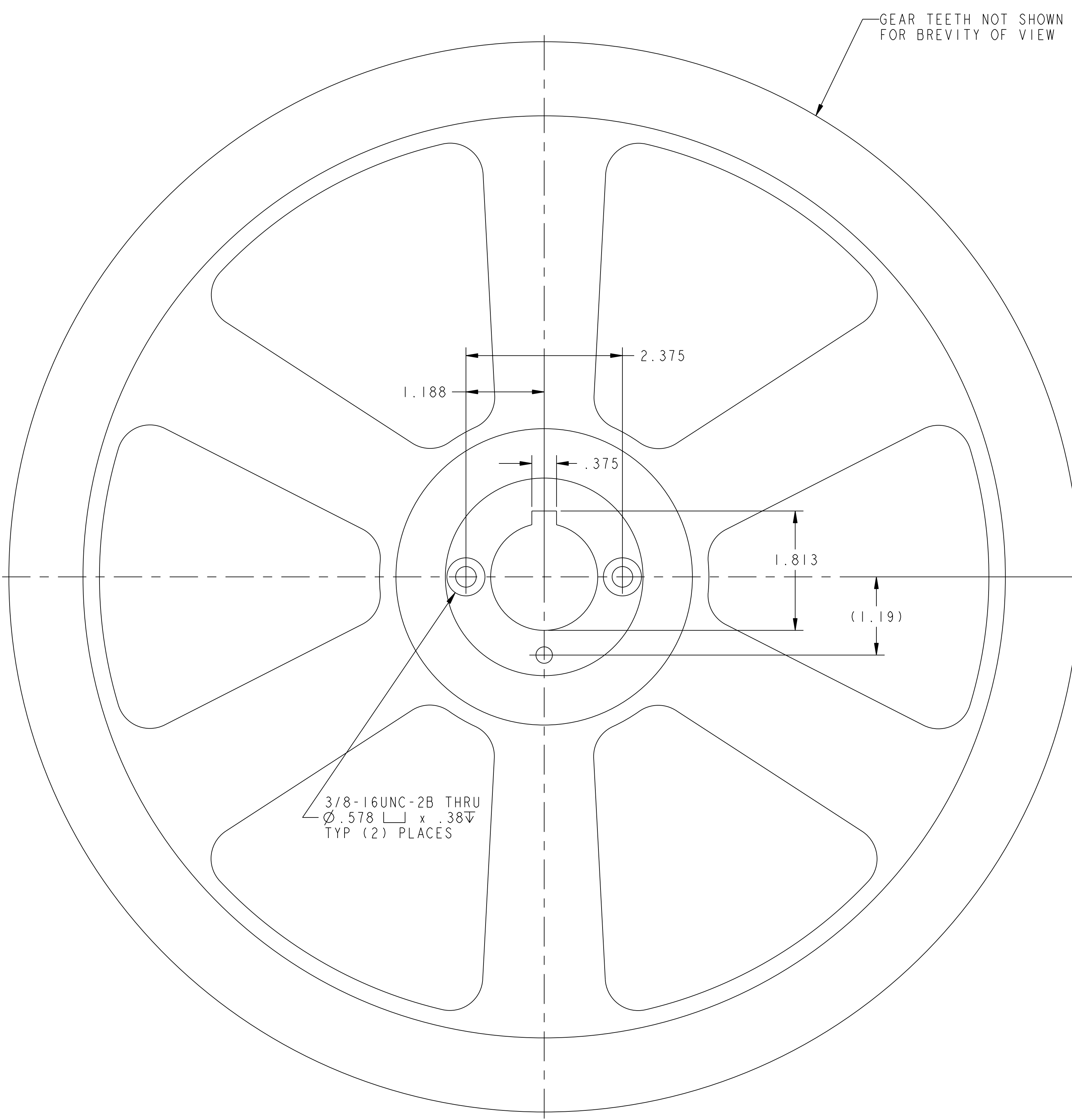
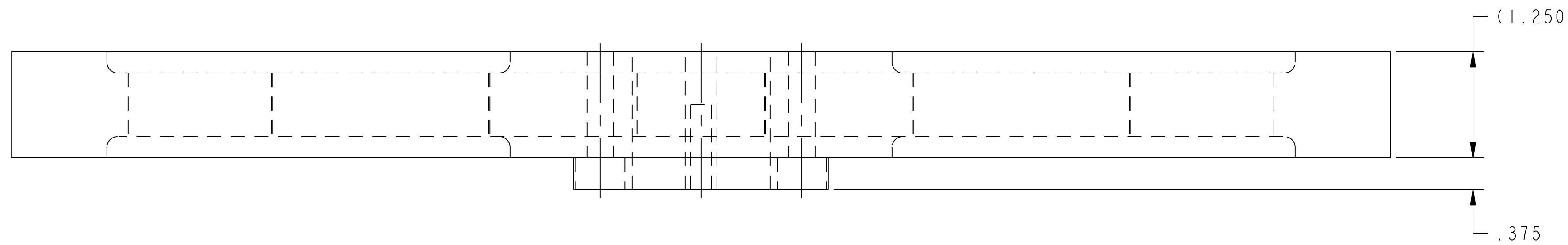


NO.	REVISION	BY	CH	SUP	APPROVED	DATE



NOTES

1. FEATURES SHOWN ON THIS PART AND PART 2 ON SHEET 2 ARE TO BE MACHINED SUCH THAT GEAR TEETH ARE ALIGNED AT NEXT ASSEMBLY (SE144-006).

**RELEASED FOR
FABRICATION / INSTALLATION**
PPPL Drafting:

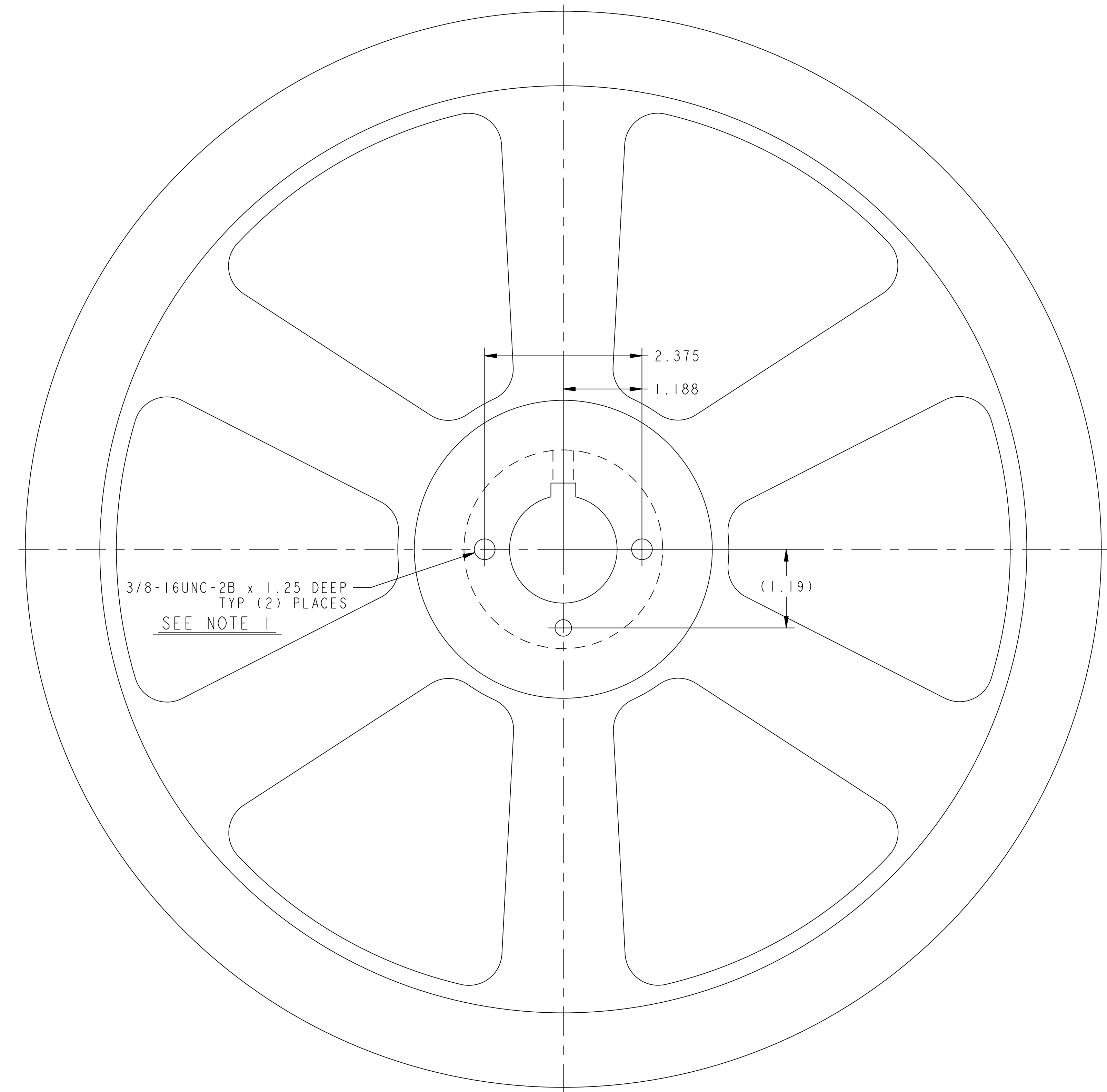
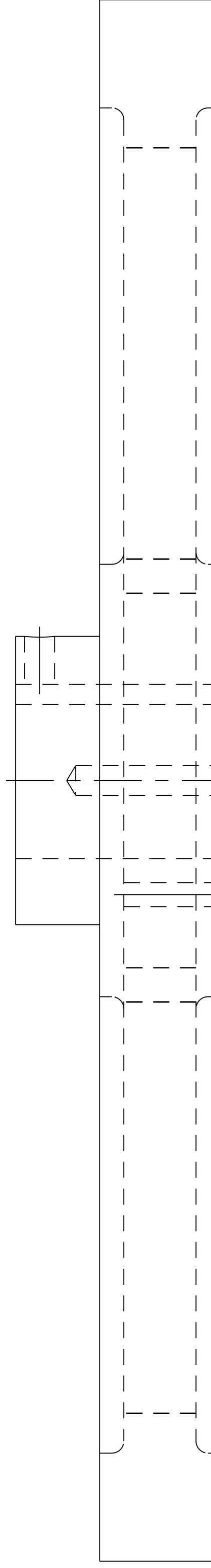
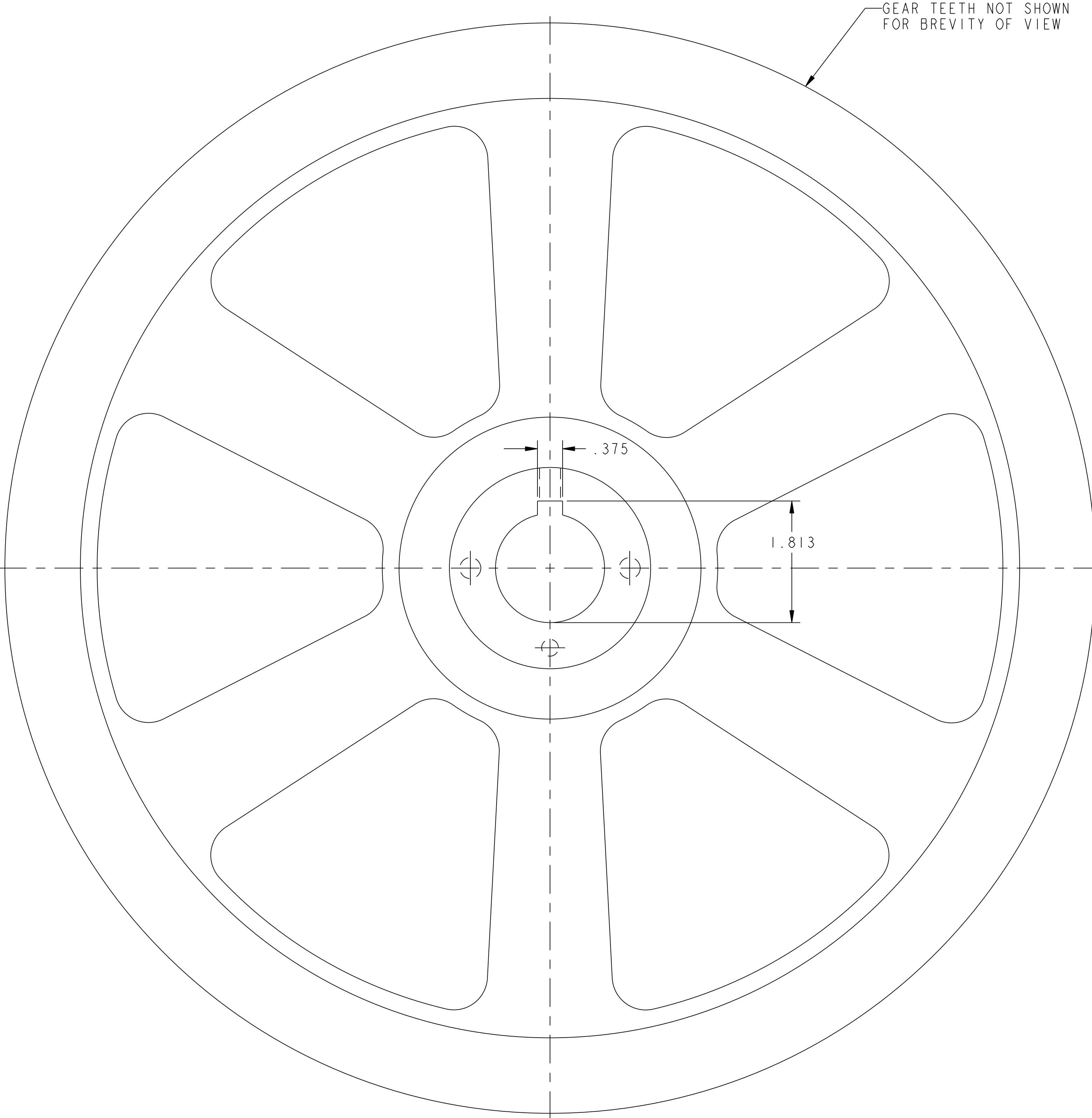
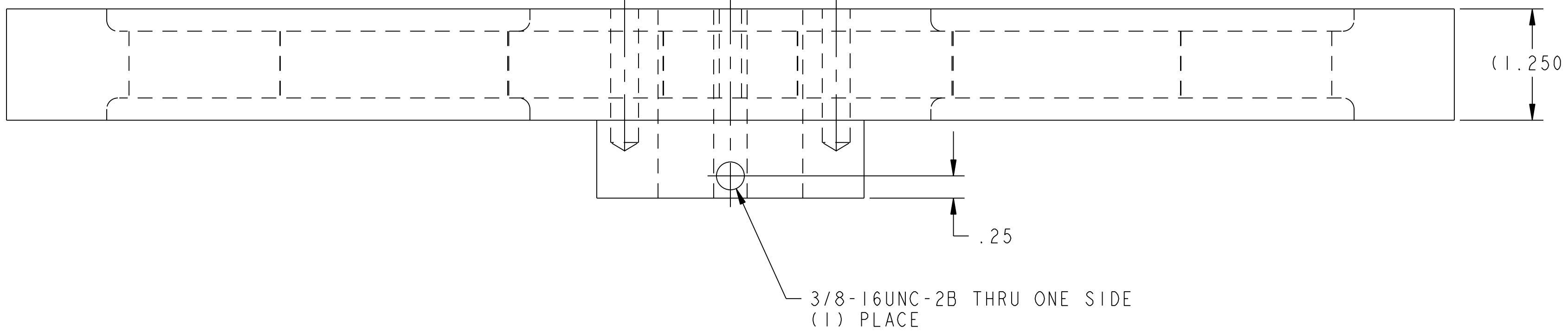
PART NO.	DRAWING NO.	NOMENCLATURE OR DESCRIPTION	MATERIAL	QTY REQD
2	THIS DWG	SPUR GEAR - 8 PITCH, 128 TEETH, 14 1/2° P.A., Ø1.625 BORE	CAST IRON	2
1	THIS DWG	SPUR GEAR - 8 PITCH, 128 TEETH, 14 1/2° P.A., Ø1.625 BORE	CAST IRON	2

PARTS LIST				
COMPUTER GENERATED DRAWING MANUAL CHANGES NOT PERMITTED Pro E	CENTRAL FILES: UNLESS OTHERWISE SPECIFIED	PRINCETON PLASMA PHYSICS LABORATORY PRINCETON UNIVERSITY		
DO NOT VERIFY INFORMATION BY SCALING DRAWING	DIMENSIONS ARE IN INCHES MACHINE SURFACES BREAK SHARP EDGES .005/.020	NATIONAL COMPACT STELLARATOR EXPERIMENT		
TOLERANCES NON-CUMULATIVE	DECIMAL-INCH FRACTIONS	DSN: L. MORRIS	11-15-05	DRAWING NO:
NEXT ASSEMBLY	.XX ±.000 .XXX ±.005 ANGULAR ±.0°-15°	CHK: J. CHRZANOWSKI	11-15-05	SE144-021
WEIGHT	36.9 lbs	ENGR: J. CHRZANOWSKI	11-15-05	SHEET 1 OF 2
MODEL NAME	SE144-021-2	SUPV: J. SIEGEL	11-15-05	REV 0
WELDING ENGINEER				

**RELEASE LEVEL: FABRICATION
DWG VERSION NO: 2**

NCSX-SE144-021

NO.	REVISION	BY	CH	SUP	APPROVED	DATE



**RELEASED FOR
FABRICATION / INSTALLATION**

PPPL Drafting:

FOR PARTS LIST AND NOTES SEE SHEET 1

RELEASE LEVEL: Fabrication
DWG VERSION NO: 2:

WEIGHT	36.9 lbs
MODEL NAME	SE144-021-2
WELDING ENGINEER	

COMPUTER GENERATED DRAWING MANUAL CHANGES NOT PERMITTED Pro E	CENTRAL FILES: UNLESS OTHERWISE SPECIFIED DIMENSIONS ARE IN INCHES MACHINE SURFACES BREAK SHARP EDGES .005/.020	PRINCETON PLASMA PHYSICS LABORATORY NATIONAL COMPACT STELLARATOR EXPERIMENT	
DO NOT VERIFY INFORMATION BY SCALING DRAWING	TOLERANCES NON-CUMULATIVE DECIMAL-INCH FRACTIONS .XX +/- .000 .XXX +/- .005 ANGULAR +/- .015	DSN: L. MORRIS CHK: J. CHRZANOWSKI ENGR: J. CHRZANOWSKI SUPV: J. SIEGEL	11-15-05 11-15-05 11-15-05 11-15-05
NEXT ASSEMBLY		DRAWING NO: SE144-021	
		SHEET 2 OF 2 REV 0	

NCSX-SE144-021