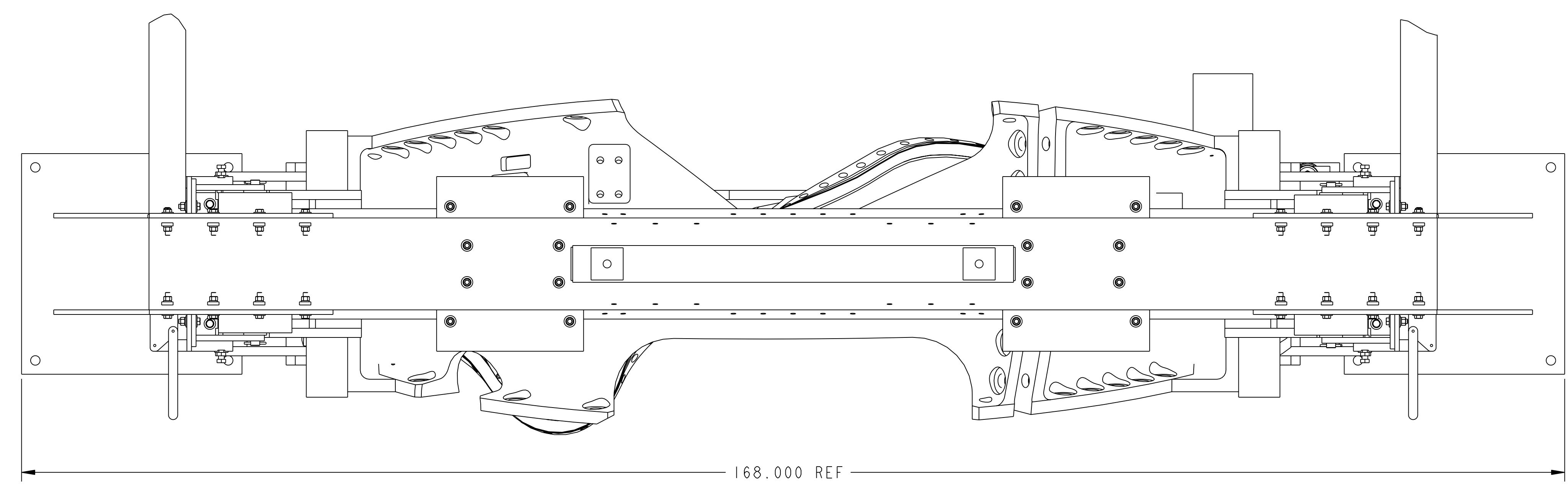
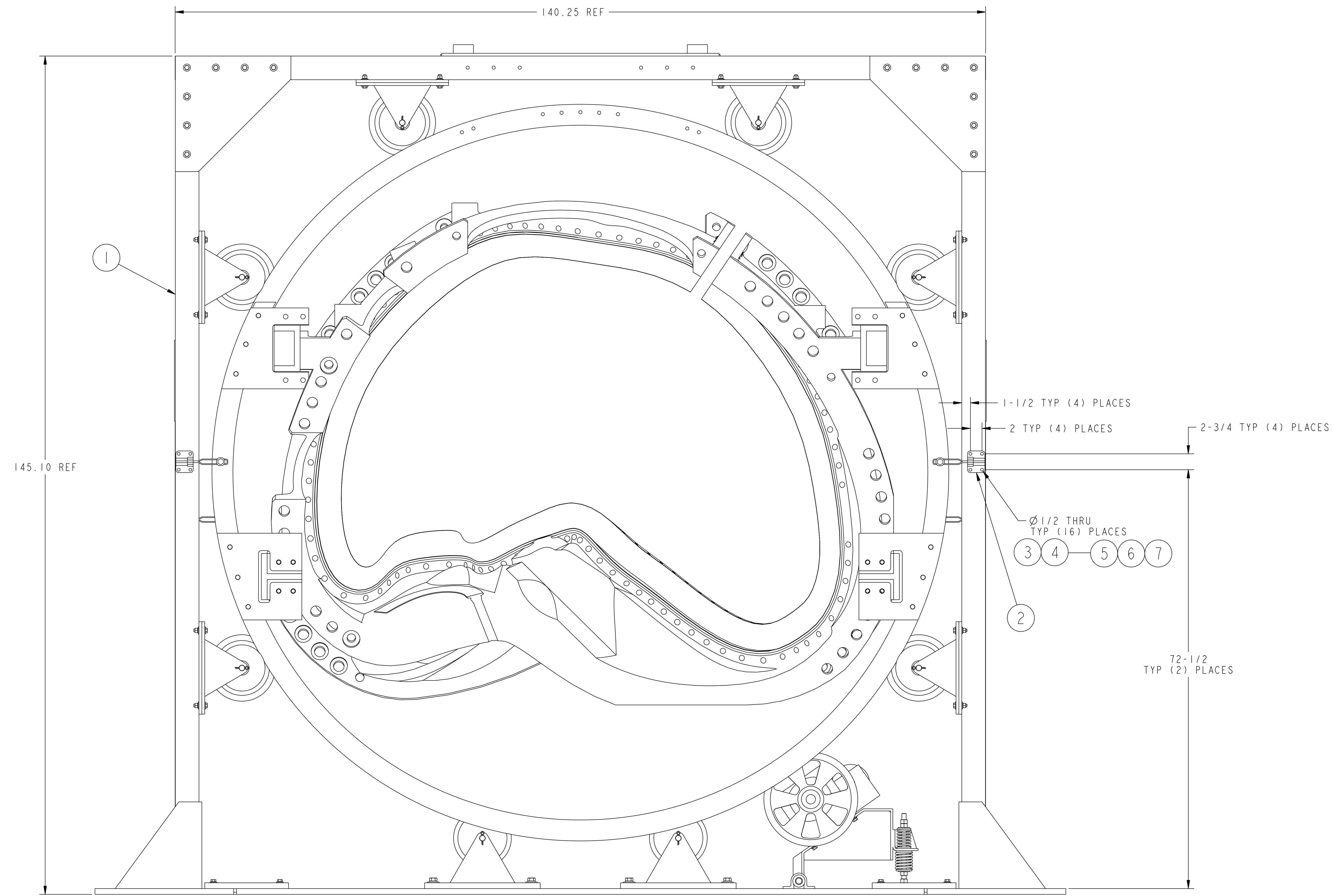


NO.	REVISION	BY	CH	SUP	APPROVED	DATE



NOTES

1. SUPPORT RING WITH A TYPE "A" MODULAR COIL SHOWN IN POSITION ON SUPPORT FRAME. ARRANGEMENT WILL BE SIMILAR WITH MODULAR COIL TYPES "B" AND "C". ORIENTATION OF MODULAR COIL WILL VARY ACCORDING TO METROLOGY REQUIREMENTS.



**RELEASED FOR
FABRICATION / INSTALLATION**
PPPL Drafting:

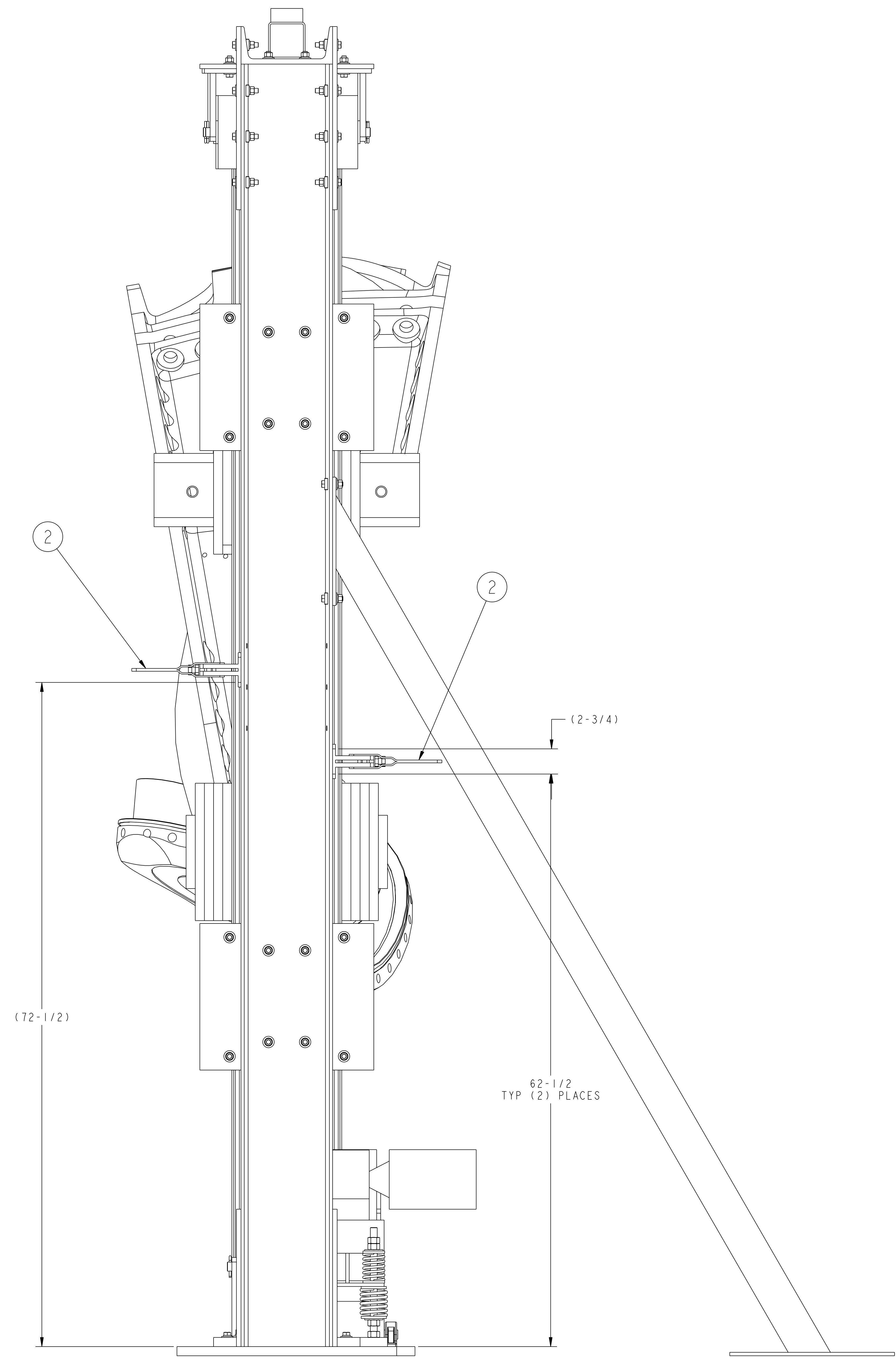
Q1 ASSY	PART NO.	DRAWING NO.	NOMENCLATURE OR DESCRIPTION	MATERIAL	QTY RECD
16	7	COMM	3/8-16UNC-2B HEX NUT	C'STL - ZN PLT	
16	6	COMM	3/8 SPLIT LOCK WASHER	C'STL - ZN PLT	
16	5	COMM	SQUARE BEVEL WASHER - 3/8 NOM.	C'STL - ZN PLT	
16	4	COMM	3/8 FLAT WASHER	C'STL - ZN PLT	
16	3	COMM	3/8-16UNC-2A x 1 1/2 LG HEX HEAD CAP SCREW	C'STL - ZN PLT	
4	2	COMM	TOGGLE CLAMP - 1200# CAP. - CARR-LANE #CL1050VTC W/ HEX HEAD SPINDLE #CL58433-SA	STEEL	
1	1	SE144-008	WINDING SUPPORT FRAME ASSEMBLY	SEE DWG	
			THIS DWG	WINDING SUPPORT RING CLAMP ASSEMBLY	1

PARTS LIST

COMPUTER GENERATED DRAWING CHANGES NOT PERMITTED	CENTRAL FILES:	PRINCETON PLASMA PHYSICS LABORATORY			
Pro E	UNLESS OTHERWISE SPECIFIED	NATIONAL COMPACT STELLARATOR EXPERIMENT			
DO NOT VERIFY INFORMATION BY SCALING DRAWING	DIMENSIONS ARE IN INCHES MACHINE SURFACES	MODULAR COIL ASSEMBLY			
SCALE: 1/8	TOLERANCES NON-CUMULATIVE	WINDING SUPPORT FRAME			
NEXT ASSEMBLY	DECIMAL-INCH FRACTIONS	WINDING SUPPORT RING CLAMP ASSEMBLY			
WEIGHT		DSN: L. MORRIS	3-19-07	DRAWING NO:	
MODEL NAME		CHK: S. RAFTOPOULOS	3-19-07	SE144-027	
		ENGR: S. RAFTOPOULOS	3-19-07		
		SUPV: J. SIEGEL	3-19-07	SHEET 1 OF 2	
				REV 0	

RELEASE LEVEL: Fabrication
DWG VERSION NO: 0

NO.	REVISION	BY	CH	SUP	APPROVED	DATE



**RELEASED FOR
FABRICATION / INSTALLATION**
PPPL Drafting:

FOR NOTES AND B/M SEE SHEET 1

RELEASE LEVEL: Fabrication
DWG VERSION NO: 0

WEIGHT
MODEL NAME
SE144-027
WELDING
ENGINEER

COMPUTER GENERATED DRAWING MANUAL CHANGES NOT PERMITTED Pro E	CENTRAL FILES: UNLESS OTHERWISE SPECIFIED	PRINCETON PLASMA PHYSICS LABORATORY PRINCETON UNIVERSITY	
DO NOT VERIFY INFORMATION BY SCALING DRAWING	DIMENSIONS ARE IN INCHES MACHINE SURFACES BREAK SHARP EDGES .005/.020	NATIONAL COMPACT STELLARATOR EXPERIMENT	
SCALE: 3/16	TOLERANCES NON-CUMULATIVE	MODULAR COIL ASSEMBLY WINDING SUPPORT FRAME WINDING SUPPORT RING CLAMP ASSEMBLY - RIGHT SIDE VIEW	
NEXT ASSEMBLY	DECIMAL-INCH FRACTIONS: .XX +/- .005 ANGULAR +/- .15	DSN: L. MORRIS CHK: S. RAFTOPOULOS ENGR: S. RAFTOPOULOS SUPV: J. SIEGEL	3-19-07 3-19-07 3-19-07 3-19-07
		DRAWING NO: SE144-027	SHEET 2 OF 2 REV 0

NCSX-SE144-027