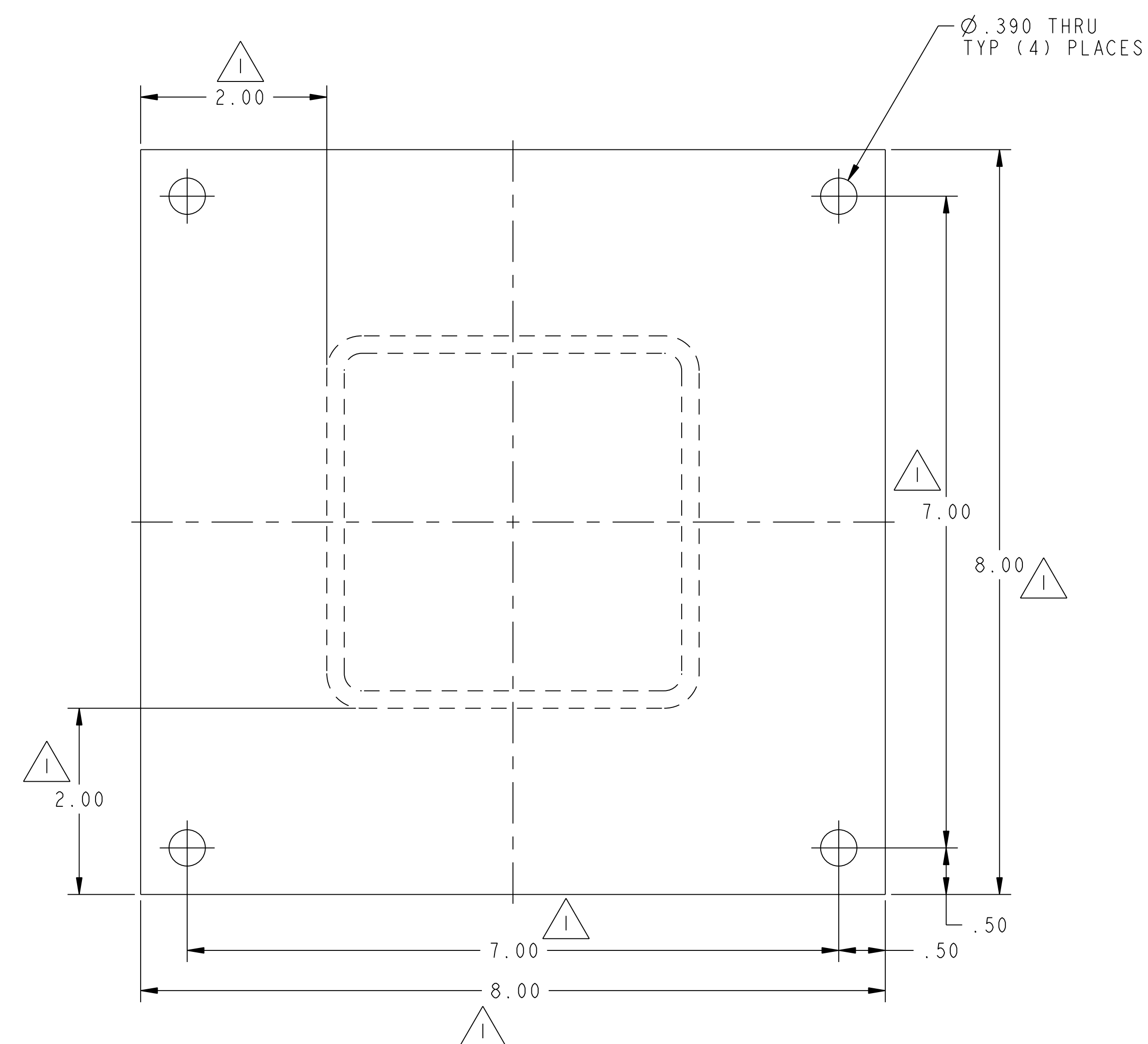
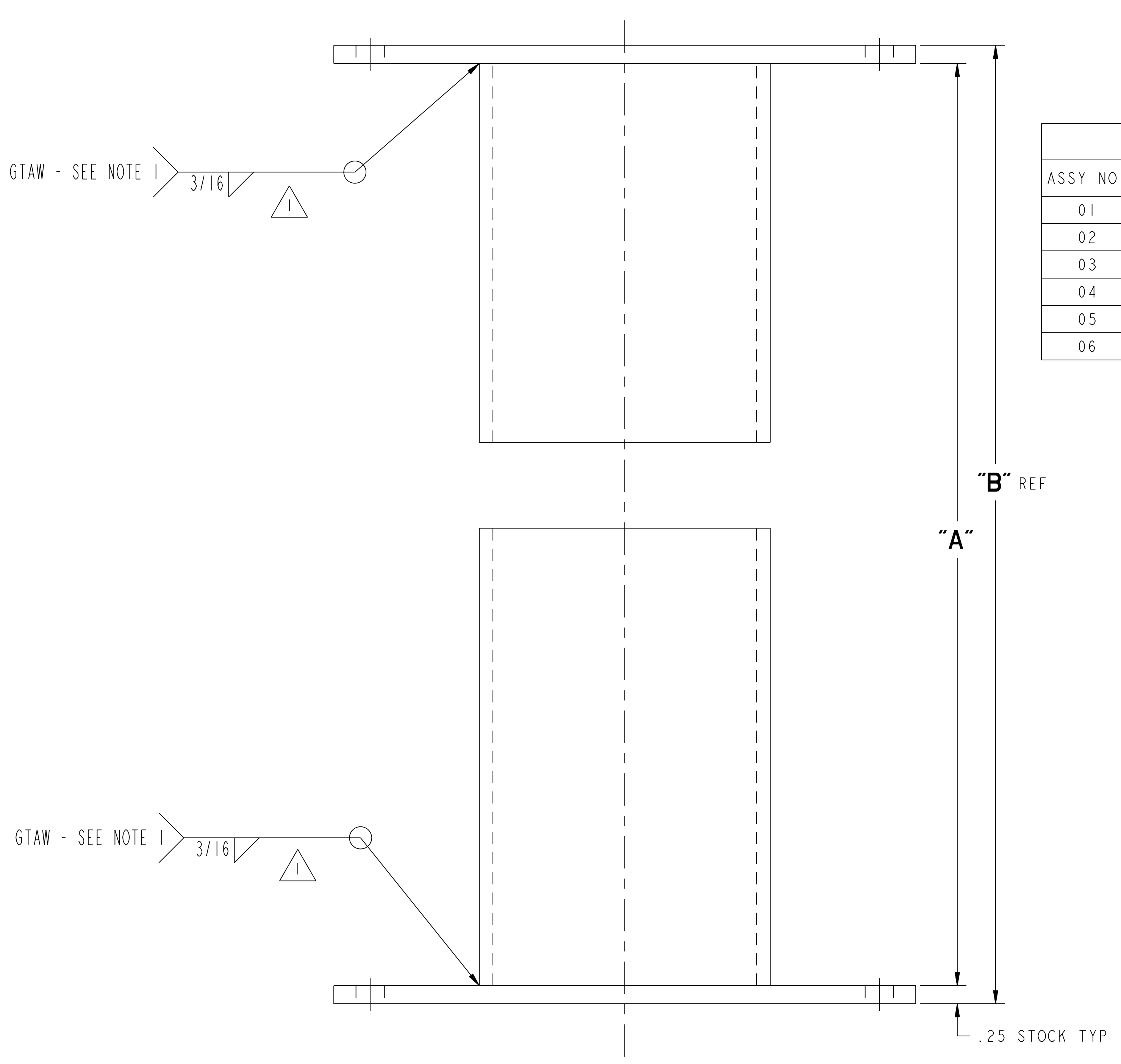


NO.	REVISION	BY	CH	SUP	APPROVED	DATE
1	REVISED PER ECN-4853	LM	SR	JS	S. RAFTOPOULOS	4-22-04



NOTE

1. WELDING SHALL BE PERFORMED IN ACCORDANCE WITH THE REQUIREMENTS OF AWS D1.1 Section 6 AND PPPL PROCEDURE EM-002. VISUAL WELD INSPECTION SHALL BE PERFORMED IN ACCORDANCE WITH THE ACCEPTANCE CRITERIA OF AWS D1.1 Section 6.



ASSY NO.	"A" DIM	"B" REF DIM
01	77 3/4	78 1/4
02	24 1/4	24 3/4
03	142 1/2	143
04	206	206 1/2
05	77	77 1/2
06	29	29 1/2

RELEASED FOR FABRICATION / INSTALLATION
PPPL Drafting:

ASSY NO.	ASSY	ASSY	ASSY	ASSY	ASSY	ASSY	PART NO.	DRAWING NO.	NOMENCLATURE OR DESCRIPTION	MATERIAL	QTY RECD
							7	THIS DWG	SUPPORT LEG - 4" SQ. TUBE X 3/16" WALL	ASTM A36	1
							6	THIS DWG	SUPPORT LEG - 4" SQ. TUBE X 3/16" WALL	ASTM A36	1
2	2	2	2	2	2	2	5	THIS DWG	BASE PLATE	ASTM A36	66
							4	THIS DWG	SUPPORT LEG - 4" SQ. TUBE X 3/16" WALL	ASTM A36	12
							3	THIS DWG	SUPPORT LEG - 4" SQ. TUBE X 3/16" WALL	ASTM A36	8
							2	THIS DWG	SUPPORT LEG - 4" SQ. TUBE X 3/16" WALL	ASTM A36	1
							1	THIS DWG	SUPPORT LEG - 4" SQ. TUBE X 3/16" WALL	ASTM A36	10
								THIS DWG	SUPPORT LEG WELDMENT - TYPE F		1
								THIS DWG	SUPPORT LEG WELDMENT - TYPE E		1
								THIS DWG	SUPPORT LEG WELDMENT - TYPE D		12
								THIS DWG	SUPPORT LEG WELDMENT - TYPE C		8
								THIS DWG	SUPPORT LEG WELDMENT - TYPE B		1
								THIS DWG	SUPPORT LEG WELDMENT - TYPE A		10

RELEASE LEVEL: Fabrication
DWG VERSION NO:

WEIGHT 28.0 lbs	MODEL NAME SE144-109	WELDING ENGINEER R. PARSELLS 4-22-04	COMPUTER GENERATED DRAWING MANUAL CHANGES NOT PERMITTED Pro E	CENTRAL FILES: UNLESS OTHERWISE SPECIFIED DIMENSIONS ARE IN INCHES MACHINE SURFACES BREAK SHARP EDGES .005/.020	PRINCETON PLASMA PHYSICS LABORATORY PRINCETON UNIVERSITY NATIONAL COMPACT STELLARATOR EXPERIMENT MODULAR COIL WINDING FACILITY VPI SUPPORT STAND SUPPORT LEG WELDMENTS	DRAWING NO: SE144-109	SHEET 1 OF 1	REV 1
--------------------	-------------------------	---	---	---	--	---------------------------------	--------------	-------