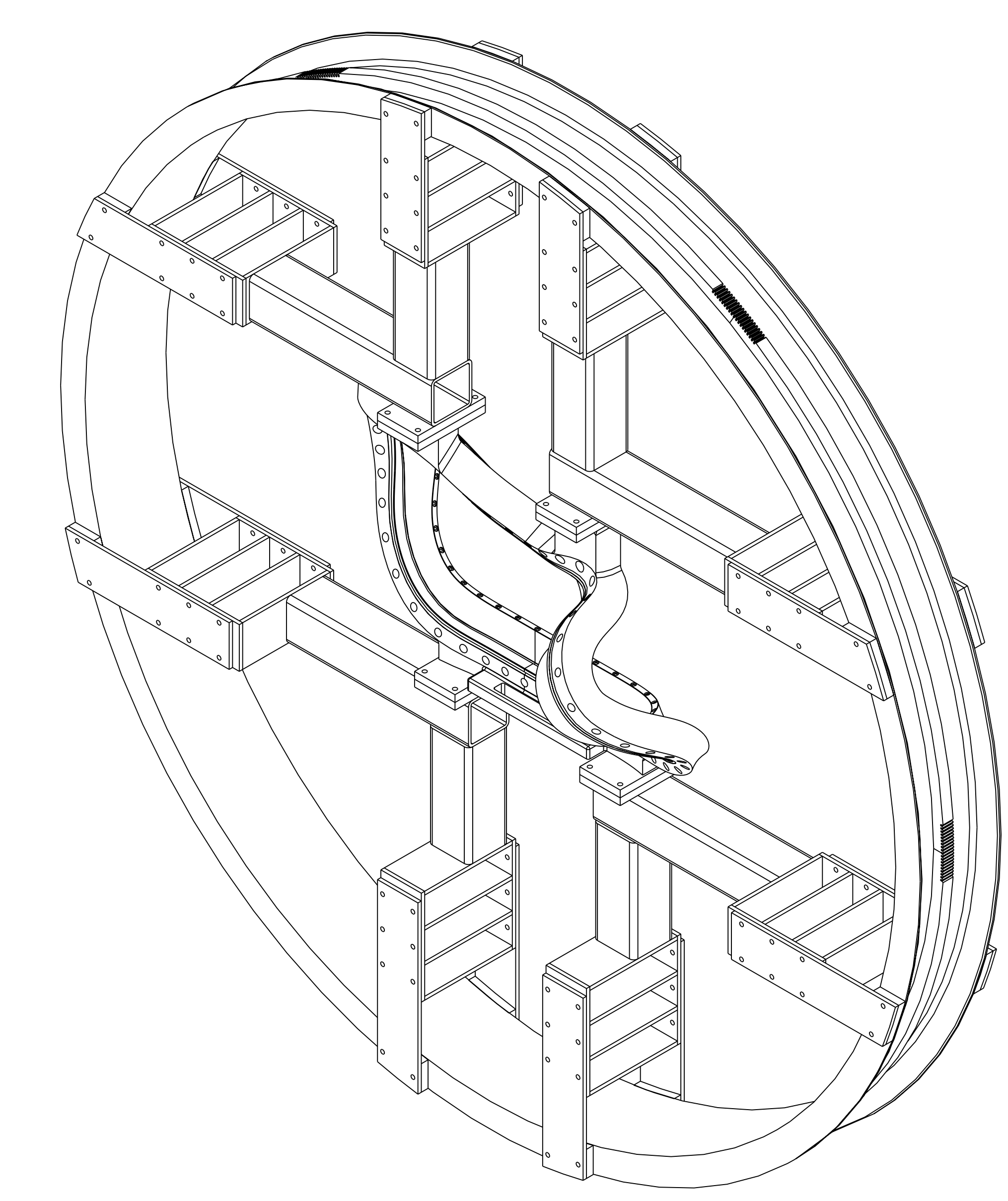
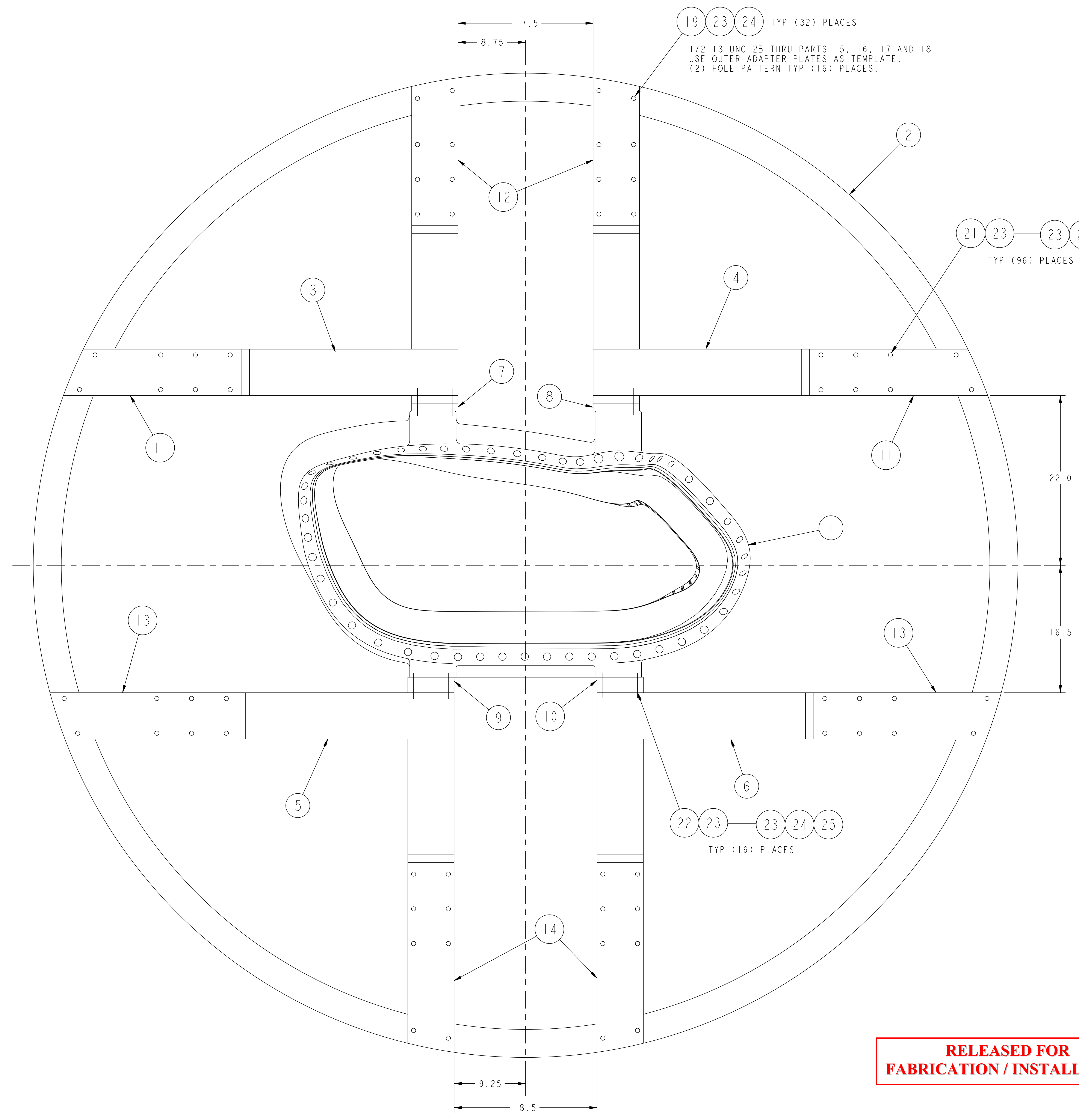


NO.	REVISION	BY	CH	SUP	APPROVED	DATE



REFERENCE ISOMETRIC

RELEASED FOR
FABRICATION / INSTALLATION

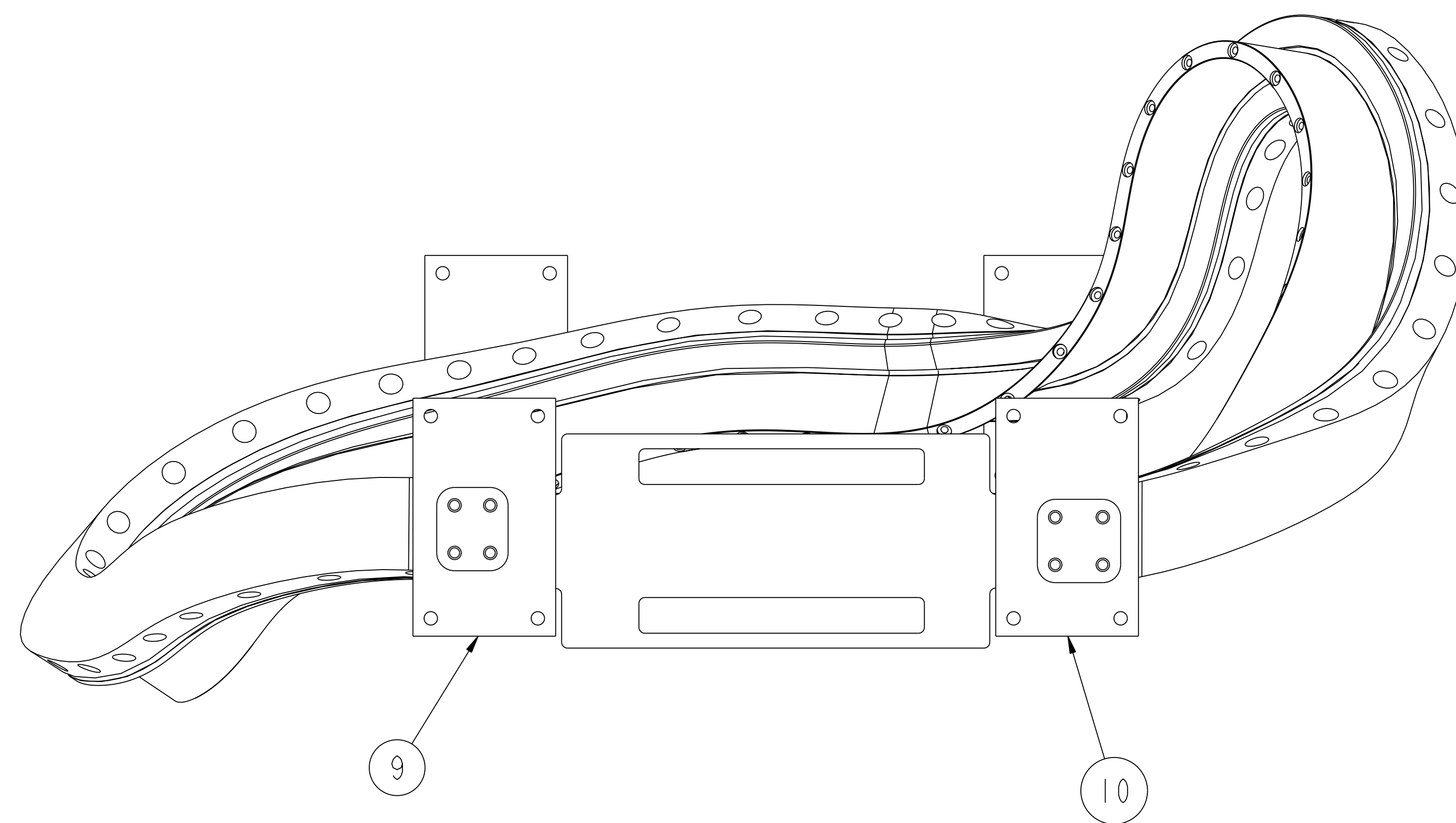
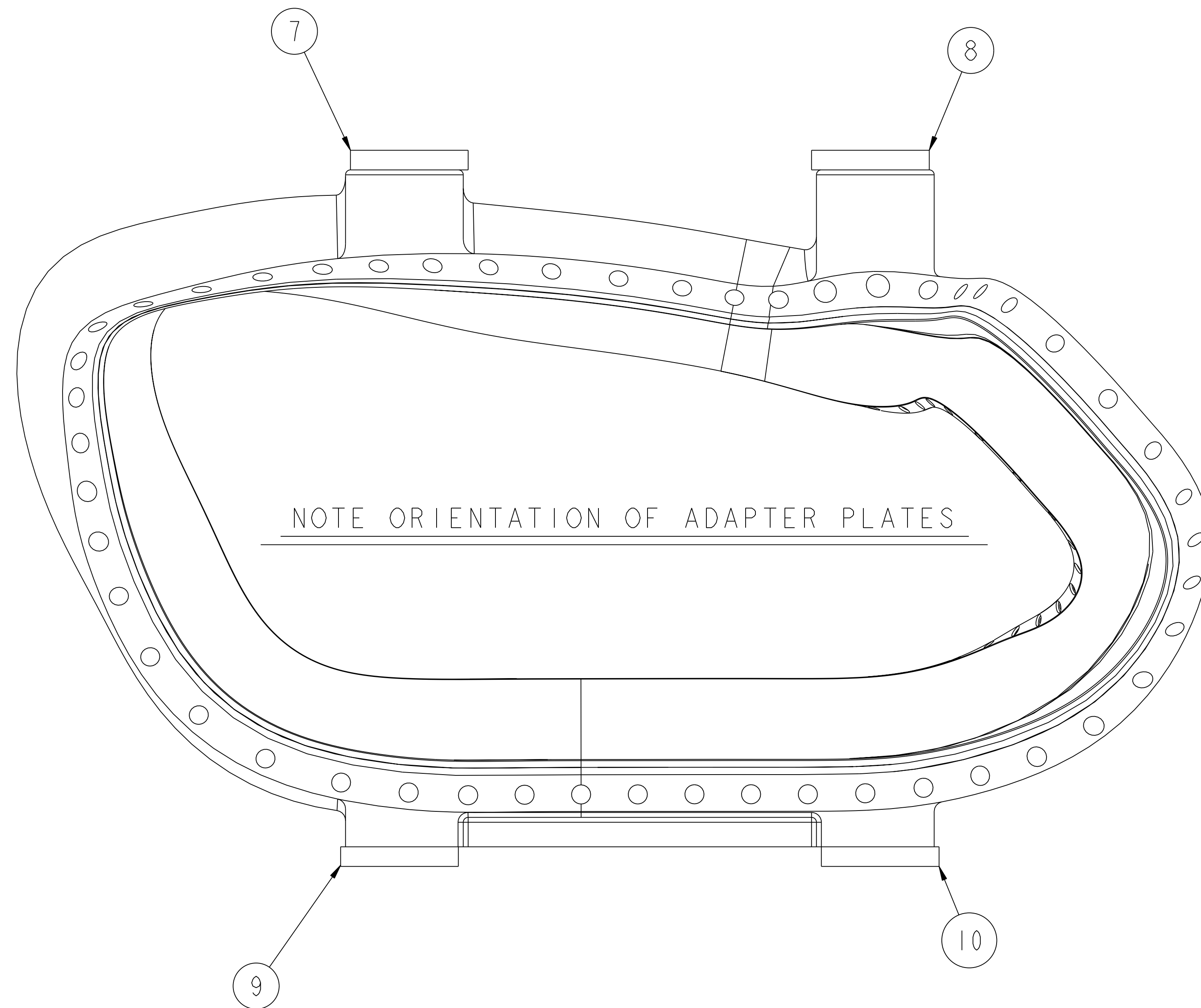
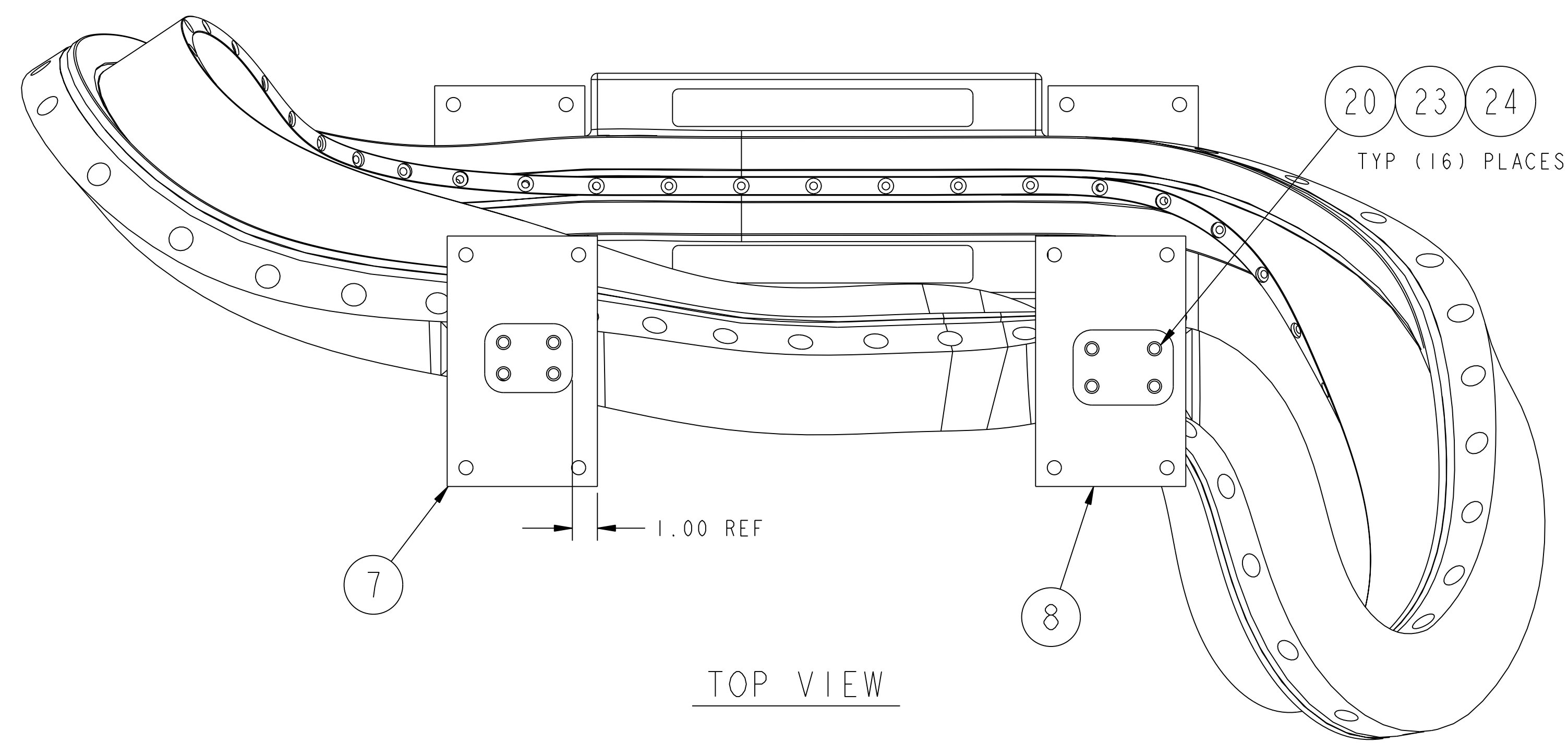
112	25	COMM	1/2-13 UNC-2B HEX NUT	C'STL - ZN PLT	
160	24	COMM	1/2 NOM SPLIT LOCK WASHER	C'STL - ZN PLT	
272	23	COMM	1/2 NOM FLAT WASHER	C'STL - ZN PLT	
16	22	COMM	1/2-13 UNC-2A X 3" LG HEX HD CAP SCREW	C'STL - ZN PLT	
96	21	COMM	1/2-13 UNC-2A X 2" LG HEX HD CAP SCREW	C'STL - ZN PLT	
16	20	COMM	1/2-13 UNC-2A X 1 3/4" LG HEX HD CAP SCREW	C'STL - ZN PLT	
32	19	COMM	1/2-13 UNC-2A X 1 1/2" LG HEX HD CAP SCREW	C'STL - ZN PLT	
4	18	THIS DWG	OUTER ADAPTER MOUNTING BLOCK - TYPE D	ASTM A569	
4	17	THIS DWG	OUTER ADAPTER MOUNTING BLOCK - TYPE C	ASTM A569	
4	16	THIS DWG	OUTER ADAPTER MOUNTING BLOCK - TYPE B	ASTM A569	
4	15	THIS DWG	OUTER ADAPTER MOUNTING BLOCK - TYPE A	ASTM A569	
4	14	SE144-203-4	TWISTED RACETRACK OUTER ADAPTER PLATE - TYPE D	SEE DWG	
4	13	SE144-203-3	TWISTED RACETRACK OUTER ADAPTER PLATE - TYPE C	SEE DWG	
4	12	SE144-203-2	TWISTED RACETRACK OUTER ADAPTER PLATE - TYPE B	SEE DWG	
4	11	SE144-203-1	TWISTED RACETRACK OUTER ADAPTER PLATE - TYPE A	SEE DWG	
1	10	SE144-202-4	TWISTED RACETRACK BASE ADAPTER PLATE - TYPE D	SEE DWG	
1	9	SE144-202-3	TWISTED RACETRACK BASE ADAPTER PLATE - TYPE C	SEE DWG	
1	8	SE144-202-2	TWISTED RACETRACK BASE ADAPTER PLATE - TYPE B	SEE DWG	
1	7	SE144-202-1	TWISTED RACETRACK BASE ADAPTER PLATE - TYPE A	SEE DWG	
1	6	SE144-201-04	TWISTED RACETRACK SUPPORT WELDMENT - TYPE D	SEE DWG	
1	5	SE144-201-03	TWISTED RACETRACK SUPPORT WELDMENT - TYPE C	SEE DWG	
1	4	SE144-201-02	TWISTED RACETRACK SUPPORT WELDMENT - TYPE B	SEE DWG	
1	3	SE144-201-01	TWISTED RACETRACK SUPPORT WELDMENT - TYPE A	SEE DWG	
1	2	SE144-007	ROLLED OUTER SUPPORT CHANNEL WELDMENT	SEE DWG	
1	1	SE140-084	WINDING FORM	SEE DWG	
01	PART	THIS DWG	TWISTED RACETRACK CASTING SUPPORT ASSEMBLY		1
ASSY	NO.	DRAWING NO.	NOMENCLATURE OR DESCRIPTION	MATERIAL	QTY REQD

PARTS LIST

COMPUTER GENERATED DRAWING CHANGES NOT PERMITTED Pro E	CENTRAL FILES:	PRINCETON PLASMA PHYSICS LABORATORY PRINCETON UNIVERSITY	
	UNLESS OTHERWISE SPECIFIED	NATIONAL COMPACT STELLARATOR EXPERIMENT	
DO NOT VERIFY INFORMATION BY SCALING DRAWING	DIMENSIONS ARE IN INCHES MACHINE SURFACES BREAK SHARP EDGES .005/.020	MODULAR COIL WINDING FACILITY TWISTED RACETRACK WINDING TWISTED RACETRACK CASTING SUPPORT ASSEMBLY	
WEIGHT 3322.2 lbs	TOLERANCES NON-CUMULATIVE	DSN: L. MORRIS	DRAWING NO:
MODEL NAME SE144-200	DECIMAL-INCH FRACTIONS	CHK: S. RAFTOPOULOS	SE144-200
RELEASE LEVEL: Fabrication DWG VERSION NO:	NEXT ASSEMBLY	ENGR: J. CHRZANOWSKI	SHEET 1 OF 3
		SUPV: J. SIEGEL	REV 0

NCSX-SE144-200

NO.	REVISION	BY	CH	SUP	APPROVED	DATE



**RELEASED FOR
FABRICATION / INSTALLATION**

FOR NOTES AND BILL OF MATERIAL SEE SHEET 1

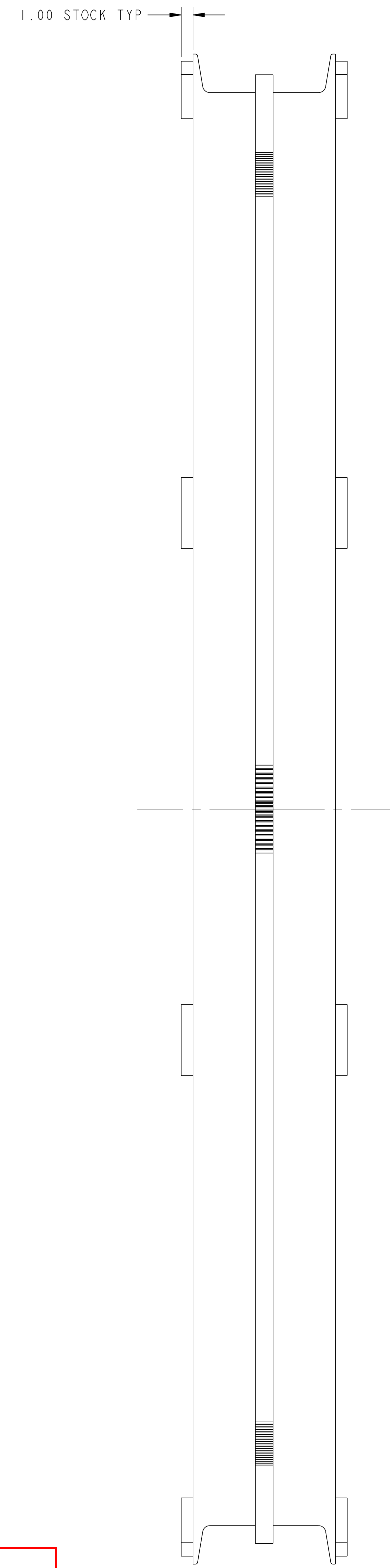
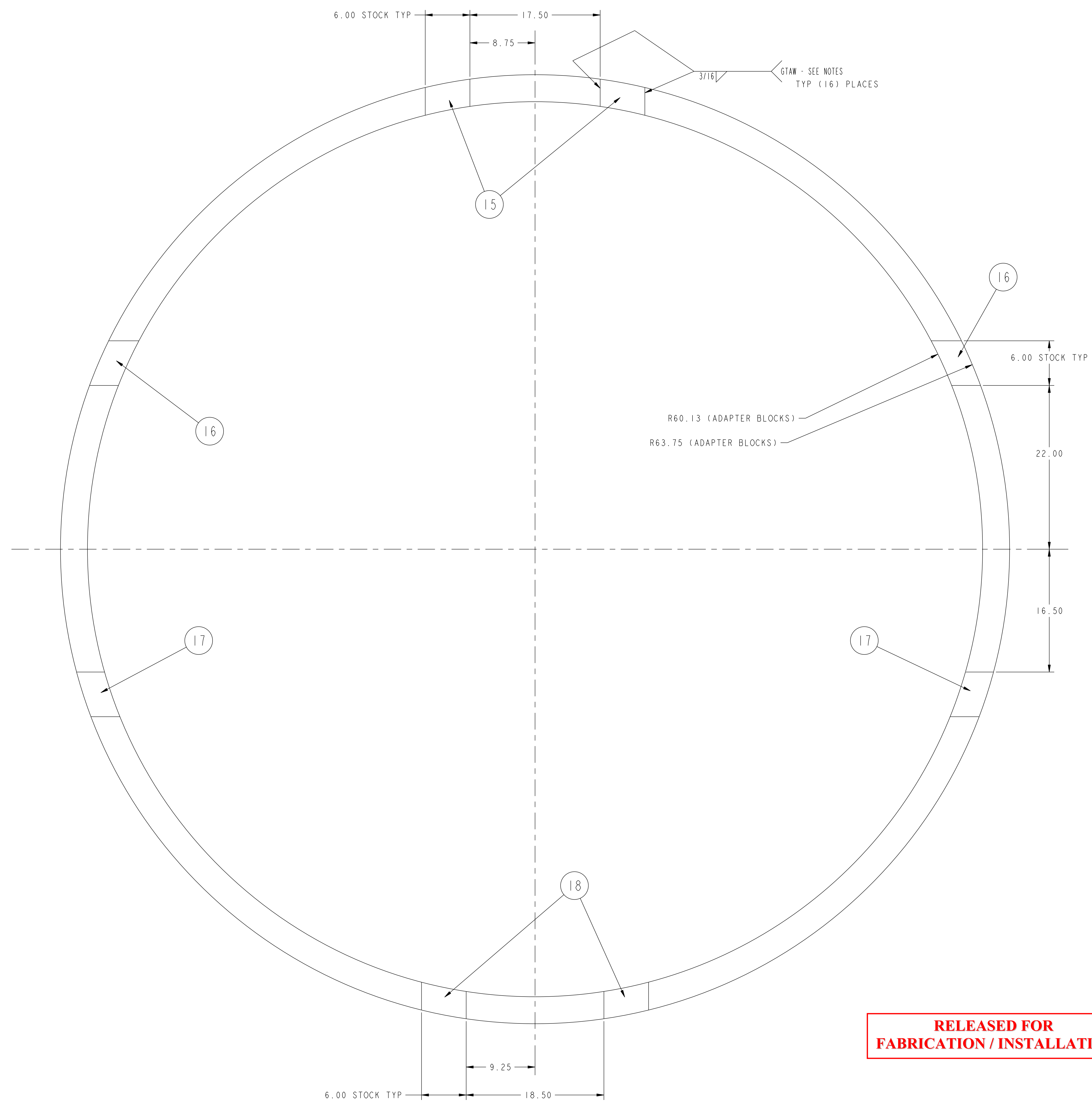
RELEASE LEVEL: Fabrication
DWG VERSION NO: 2

WEIGHT	3322.2 lbs
MODEL NAME	SE144-200
WELDING ENGINEER	

COMPUTER GENERATED DRAWING MANUAL CHANGES NOT PERMITTED Pro E	CENTRAL FILES: UNLESS OTHERWISE SPECIFIED	PRINCETON PLASMA PHYSICS LABORATORY PRINCETON UNIVERSITY NATIONAL COMPACT STELLARATOR EXPERIMENT	
DO NOT VERIFY INFORMATION BY SCALING DRAWING	DIMENSIONS ARE IN INCHES MACHINE SURFACES BREAK SHARP EDGES .005/.020	MODULAR COIL WINDING FACILITY TWISTED RACETRACK WINDING TWISTED RACETRACK CASTING SUPPORT ASSEMBLY	
NEXT ASSEMBLY	TOLERANCES NON-CUMULATIVE DECIMAL-INCH FRACTIONS .XX ±.000 .XXX ±.005 ANGULAR ±.0°-15°	DSN: L. MORRIS CHK: S. RAFTOPOULOS ENGR: J. CHRZANOWSKI SUPV: J. SIEGEL	DRAWING NO: SE144-200 SHEET 2 OF 3 REV 0

NCSX-SE144-200

NO.	REVISION	BY	CH	SUP	APPROVED	DATE



RELEASED FOR FABRICATION / INSTALLATION

FOR NOTES AND BILL OF MATERIAL SEE SHEET 1

RELEASE LEVEL: Fabrication
DWG VERSION NO: 2

WEIGHT
3322.2 lbs

MODEL NAME
SE144-200

WELDING ENGINEER

COMPUTER GENERATED DRAWING MANUAL CHANGES NOT PERMITTED Pro E	CENTRAL FILES: UNLESS OTHERWISE SPECIFIED	PRINCETON PLASMA PHYSICS LABORATORY PRINCETON UNIVERSITY NATIONAL COMPACT STELLARATOR EXPERIMENT	
DO NOT VERIFY INFORMATION BY SCALING DRAWING	DIMENSIONS ARE IN INCHES MACHINE SURFACES BREAK SHARP EDGES .005/.020	MODULAR COIL WINDING FACILITY TWISTED RACETRACK WINDING TWISTED RACETRACK CASTING SUPPORT ASSEMBLY	
NEXT ASSEMBLY	TOLERANCES NON-CUMULATIVE DECIMAL-INCH FRACTIONS .XX +/- .000 .XXX +/- .005 ANGULAR +/- .05	DSN: L. MORRIS CHK: S. RAFTOPOULOS ENGR: J. CHRZANOWSKI SUPV: J. SIEGEL	DRAWING NO: SE144-200 SHEET 3 OF 3 REV 0

NCSX-SE144-200