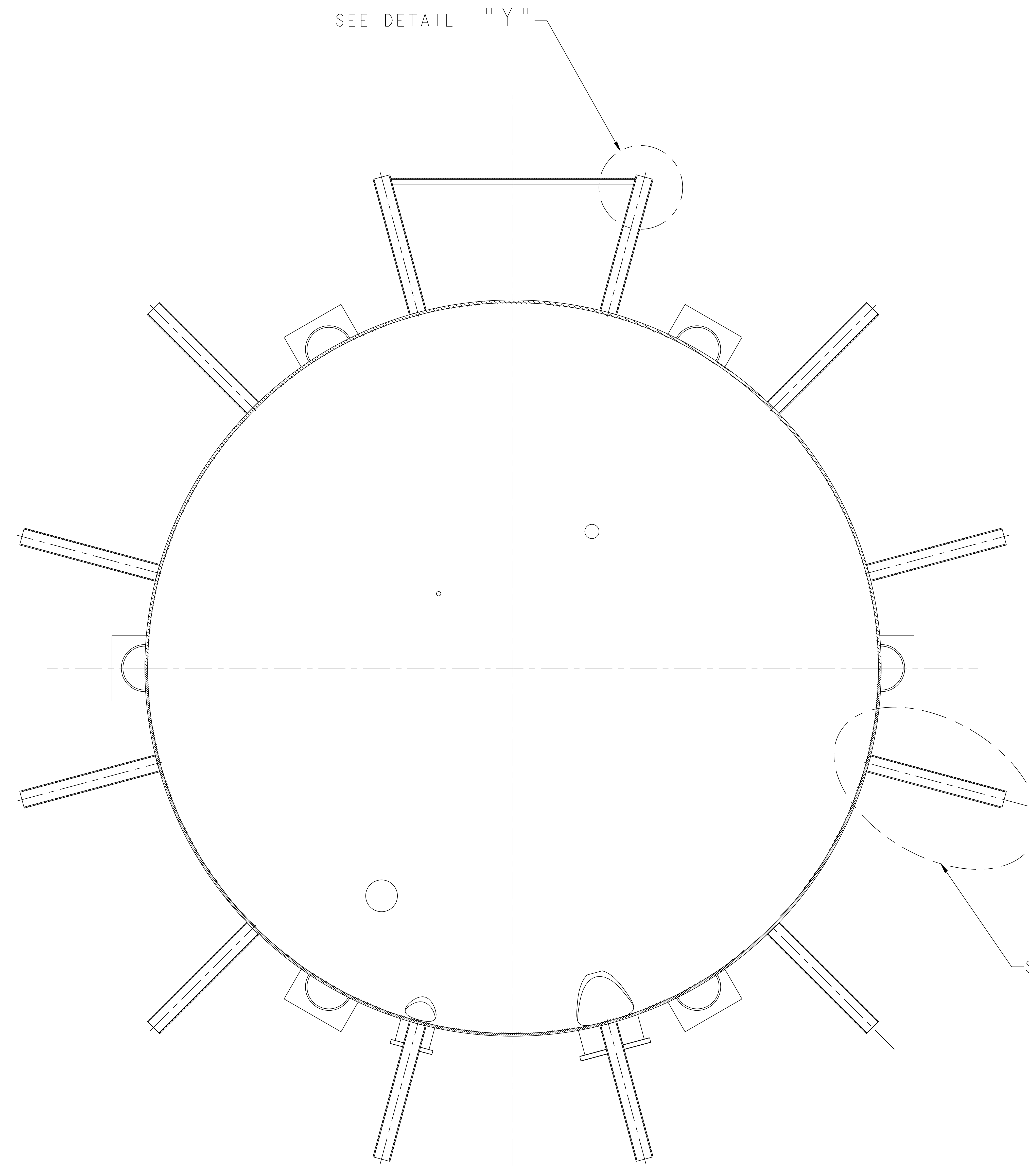
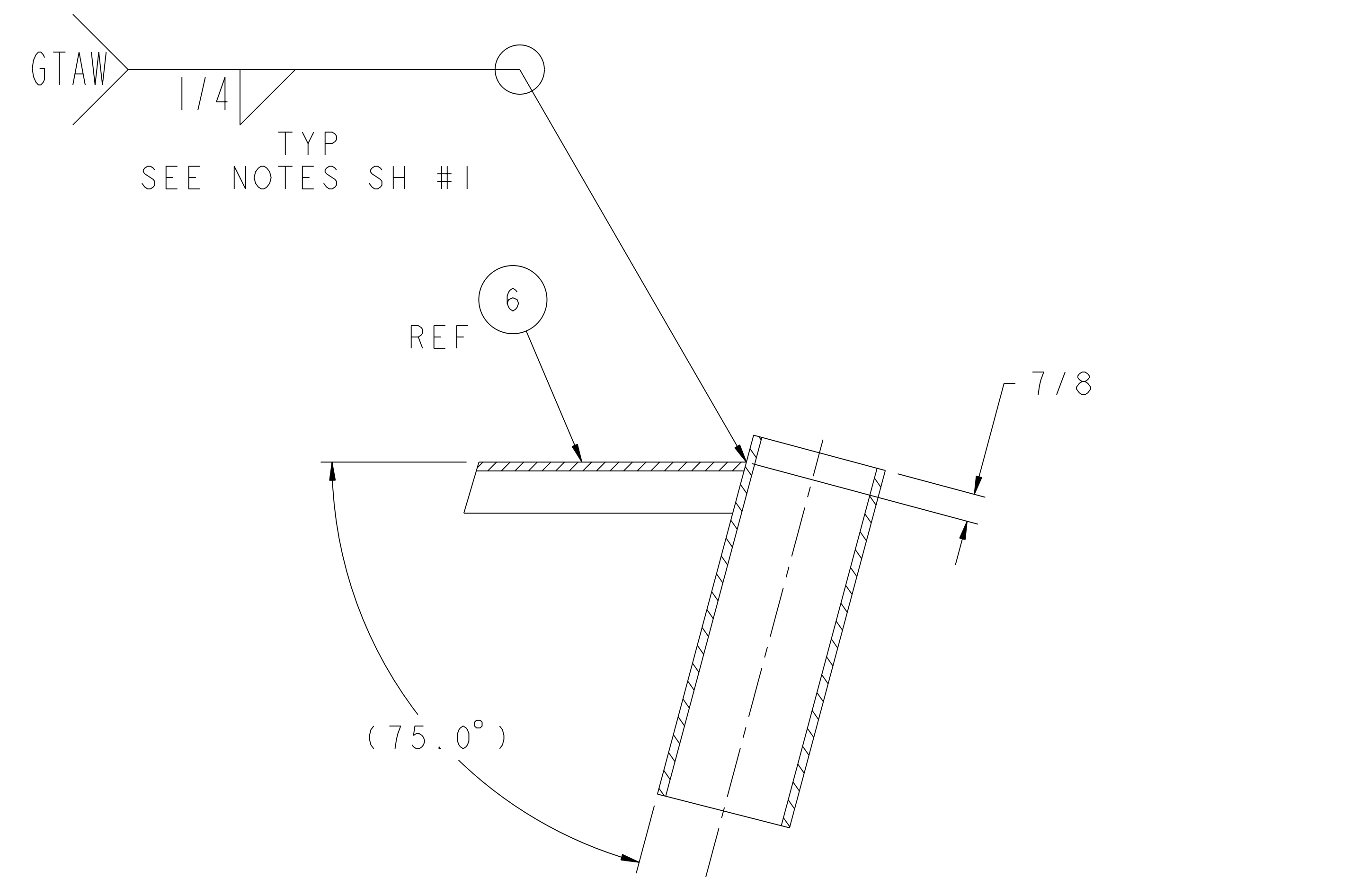


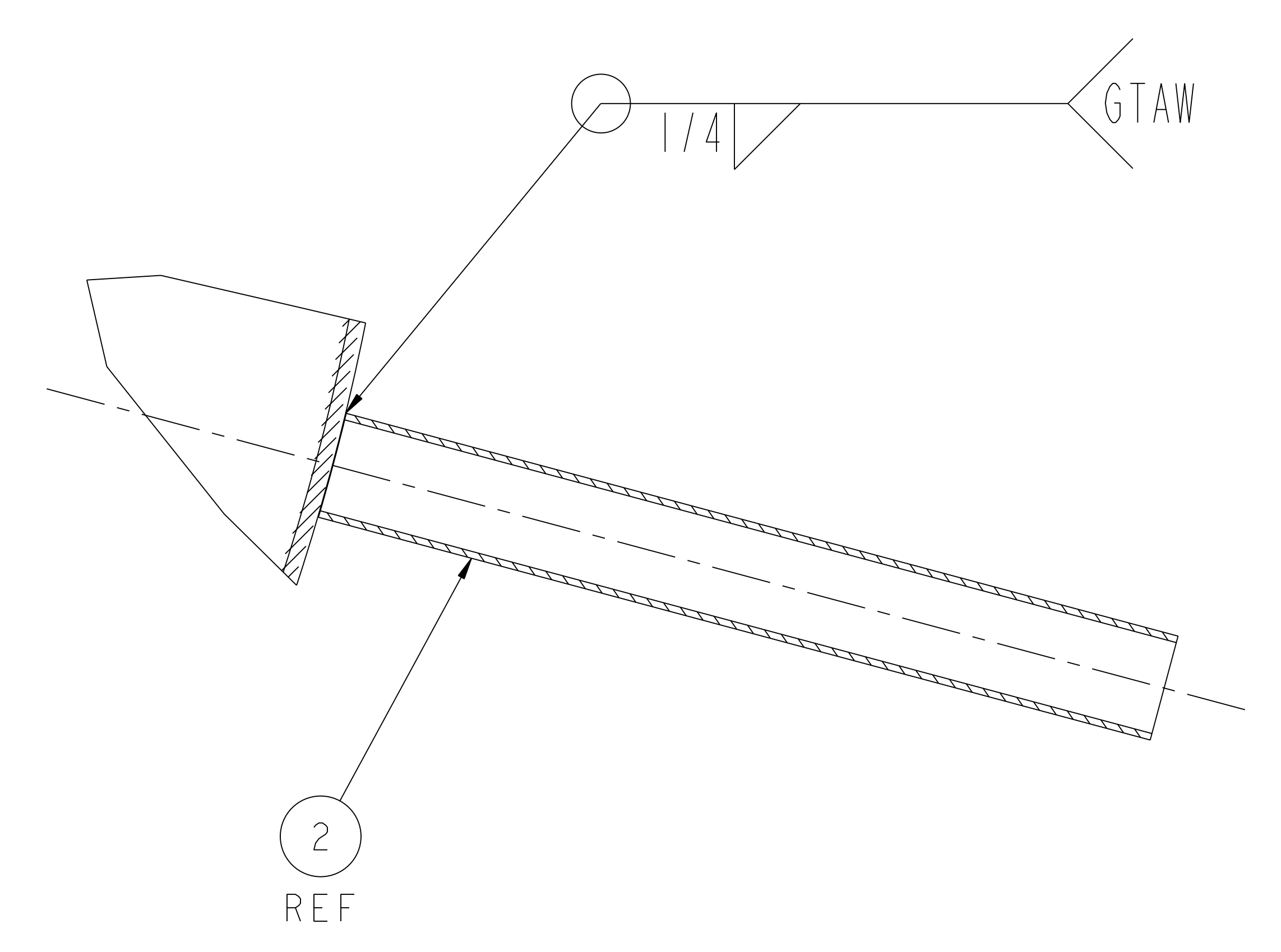
NO.	REVISION	BY	CH	SUP	APPROVED	DATE



**SECTION L-L**  
SCALE 0.090  
SHOWING LOWER PLATFORM RADIAL BEAMS



**DETAIL "Y"**  
SCALE 0.375



**DETAIL "Z"**  
SCALE 0.250  
TYP ALL RADIAL BEAMS

**RELEASED FOR FABRICATION / INSTALLATION**

RELEASE LEVEL: Fabrication  
DWG VERSION NO: 0

WEIGHT	33834.0 lbs
MODEL NAME	SE144-304

PART NO.	DRAWING NO	NOMENCLATURE OR DESCRIPTION	MATERIAL	QTY RECD
PARTS LIST				
COMPUTER GENERATED DRAWING MANUAL CHANGES NOT PERMITTED		CENTRAL FILES: UNLESS OTHERWISE SPECIFIED	PRINCETON PLASMA PHYSICS LABORATORY PRINCETON UNIVERSITY	
DO NOT VERIFY INFORMATION BY SCALING DRAWING		DIMENSIONS ARE IN INCHES MACHINE SURFACES BREAK SHARP EDGES .005/.020	<b>NATIONAL COMPACT STELLARATOR EXPERIMENT</b>	
NEXT ASSEMBLY		TOLERANCES NON-CUMULATIVE DECIMAL-INCH FRACTIONS .XX +/- .005 .XXX +/- .005 ANGULAR +/- .05	DSN: J. RUSHINSKI ENGR: S. RAFTOPOULOS SUPV:	DRAWING NO: <b>SE144-304</b> SHEET 2 OF 3 REV 0

NCSX-SE144-304