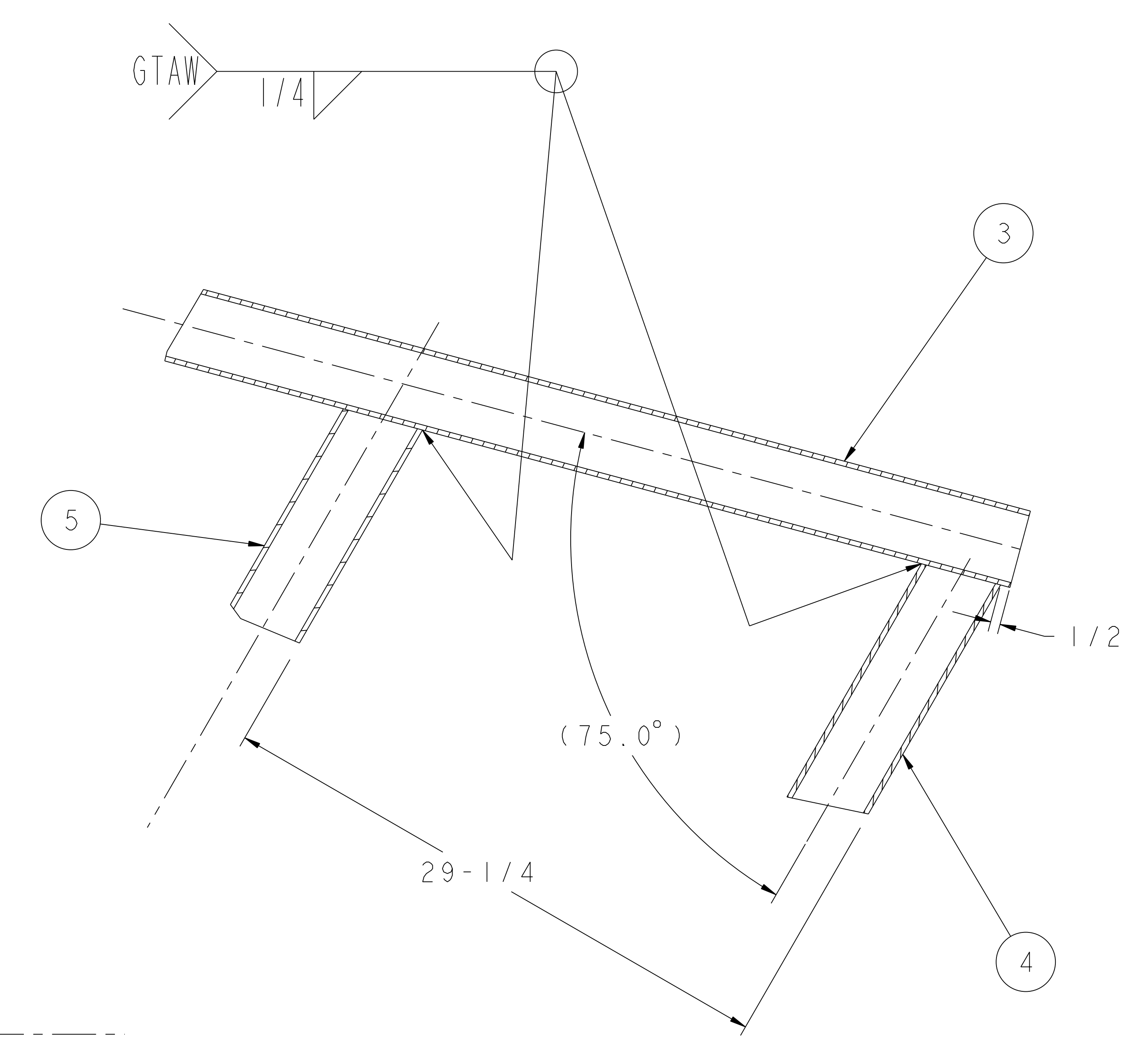
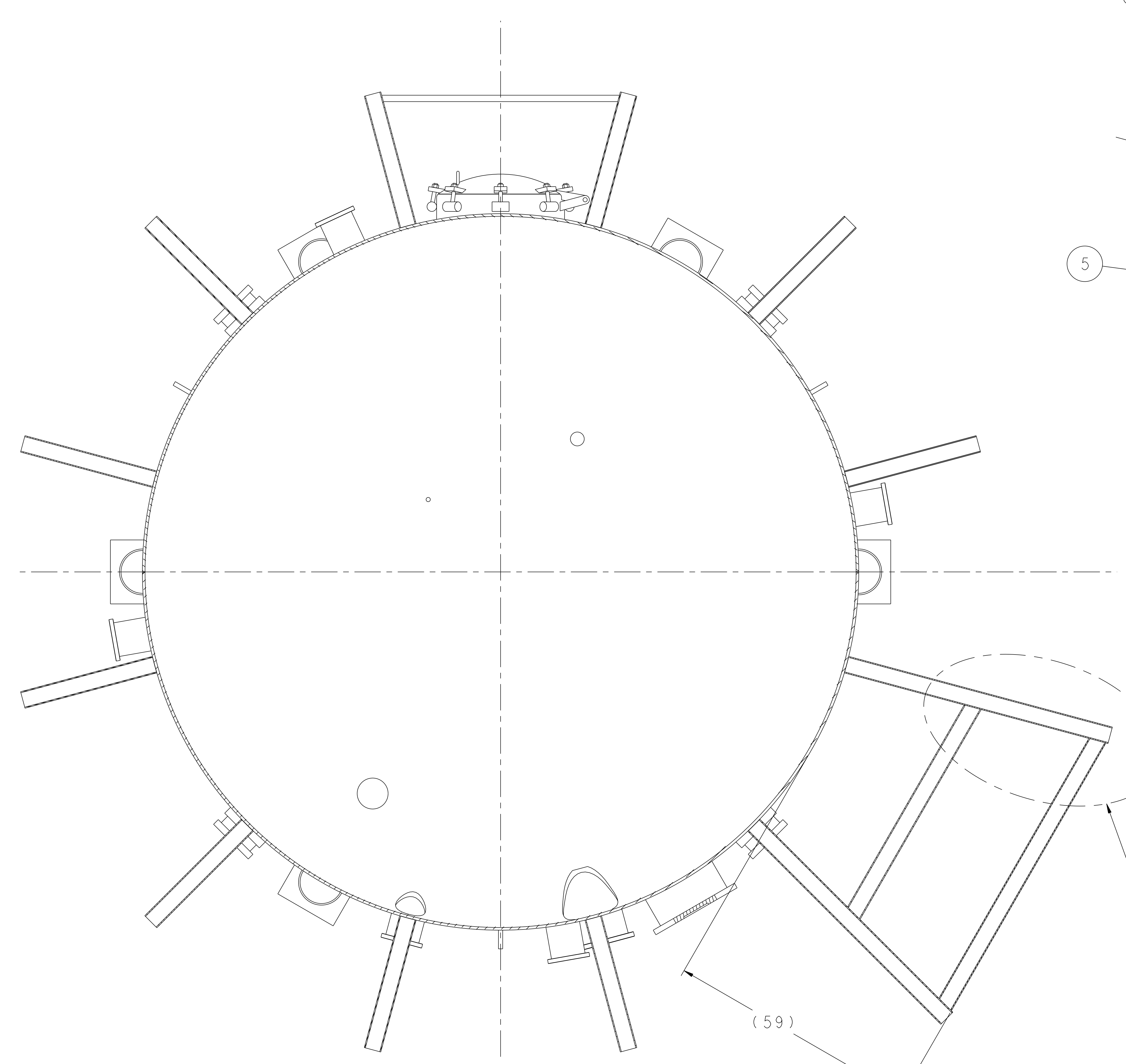


NO.	REVISION	BY	CH	SUP	APPROVED	DATE



DETAIL "X"
SCALE 0.250

SEE DETAIL "X"

**RELEASED FOR
FABRICATION / INSTALLATION**

SECTION M-M
SCALE 0.090
SHOWING UPPER PLATFORM

WEIGHT
33834.0 lbs
MODEL NAME
SE144-304

RELEASE LEVEL: Fabrication
DWG VERSION NO: 0

PART NO.	DRAWING NO	NOMENCLATURE OR DESCRIPTION	MATERIAL	QTY	RECD
PARTS LIST					
COMPUTER GENERATED DRAWING MANUAL CHANGES NOT PERMITTED Pro E		CENTRAL FILES: UNLESS OTHERWISE SPECIFIED	PRINCETON PLASMA PHYSICS LABORATORY PRINCETON UNIVERSITY NATIONAL COMPACT STELLARATOR EXPERIMENT		
DO NOT VERIFY INFORMATION BY SCALING DRAWING		DIMENSIONS ARE IN INCHES MACHINE SURFACES BREAK SHARP EDGES .005/.020	STELLARATOR CORE MODULAR COIL WINDING FACILITY UPPER PLATFORM WELDING DETAILS		
NEXT ASSEMBLY		TOLERANCES NON-CUMULATIVE DECIMAL-INCH FRACTIONS .XX ±.030 .XXX ±.005 ANGULAR ±.0°-15°	DSN: J. RUSHINSKI ENGR: S. RAFTOPOULOS SUPV:	DRAWING NO: SE144-304 SHEET 3 OF 3 REV 0	

NCSX-SE144-304