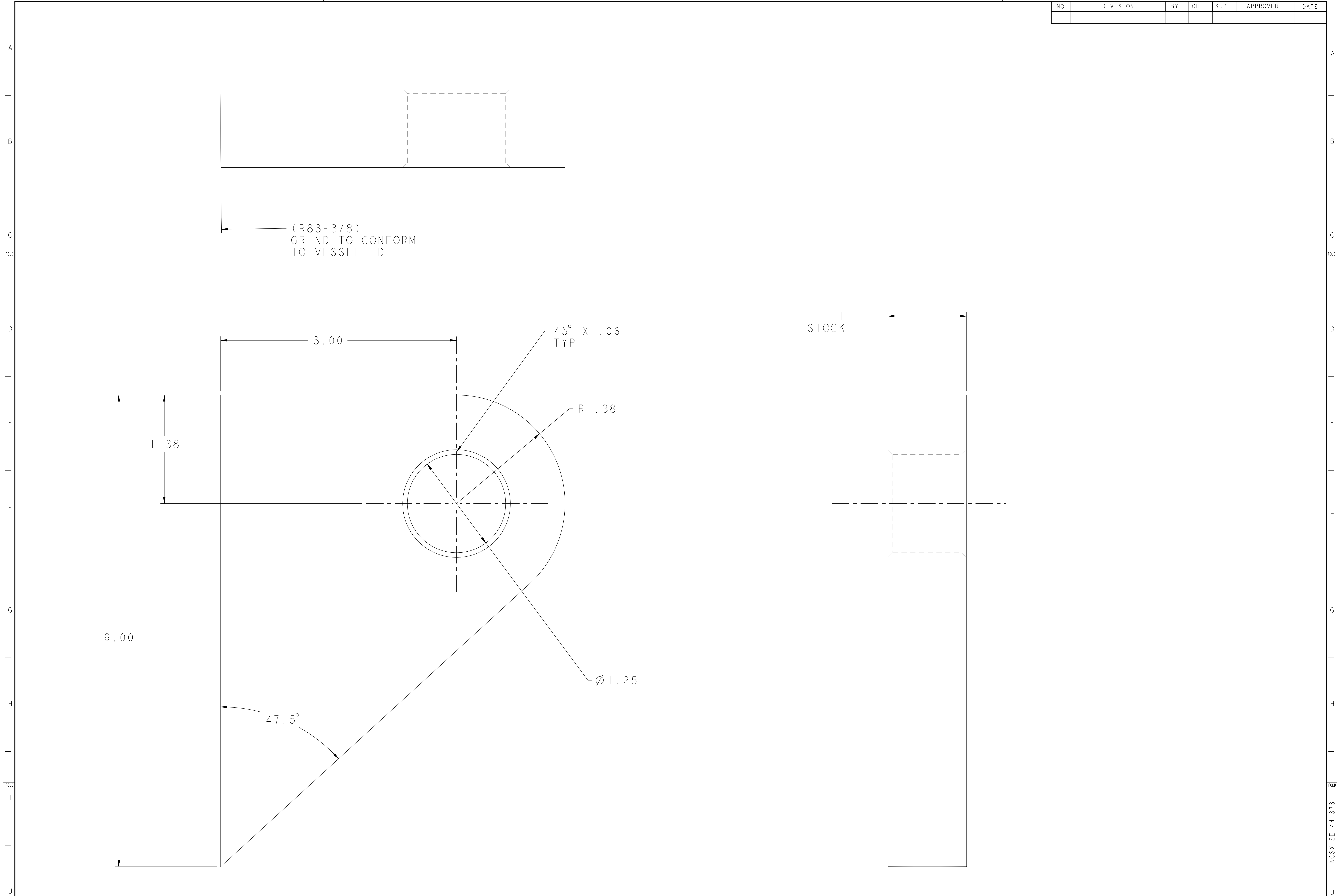


NO.	REVISION	BY	CH	SUP	APPROVED	DATE



PART NO.	SEI44-378	COIL TIE LUG		STN	STL	4
	DRAWING NO	NOMENCLATURE OR DESCRIPTION		MATERIAL	QTY	REOD
PARTS LIST						
COMPUTER GENERATED DRAWING MANUAL CHANGES NOT PERMITTED	CENTRAL FILES: UNLESS OTHERWISE SPECIFIED	PRINCETON PLASMA PHYSICS LABORATORY PRINCETON UNIVERSITY				
Do NOT VERIFY INFORMATION BY SCALING DRAWING	DIMENSIONS ARE IN INCHES MACHINE SURFACES BREAK SHARP EDGES .005/ .020	NATIONAL COMPACT STELLARATOR EXPERIMENT				
SCALE 2.500	TOLERANCES NON-CUMULATIVE	DSN: J. RUSHINSKI		DRAWING NO:		
NEXT ASSEMBLY	DECIMAL-INCH FRACTIONS	CHK:		SEI44-378		
	.XX +/- .030 0°-120° +/- .010	ENGR: S. RAFTOPOULOS		SHEET 1 OF 1 REV 0		
	.XXX +/- .005 72°-120° +/- .010	SUPV:		NCSX-PART-FORMAT.E		
	ANGULAR +/- .0°-15° OVER 120° +/- .010					

RELEASE LEVEL: Fabrication
DWG VERSION NO: 0

WEIGHT
4.6 lbs
MODEL NAME
SEI44-378
WELDING ENGINEER

NCSX-SEI44-378