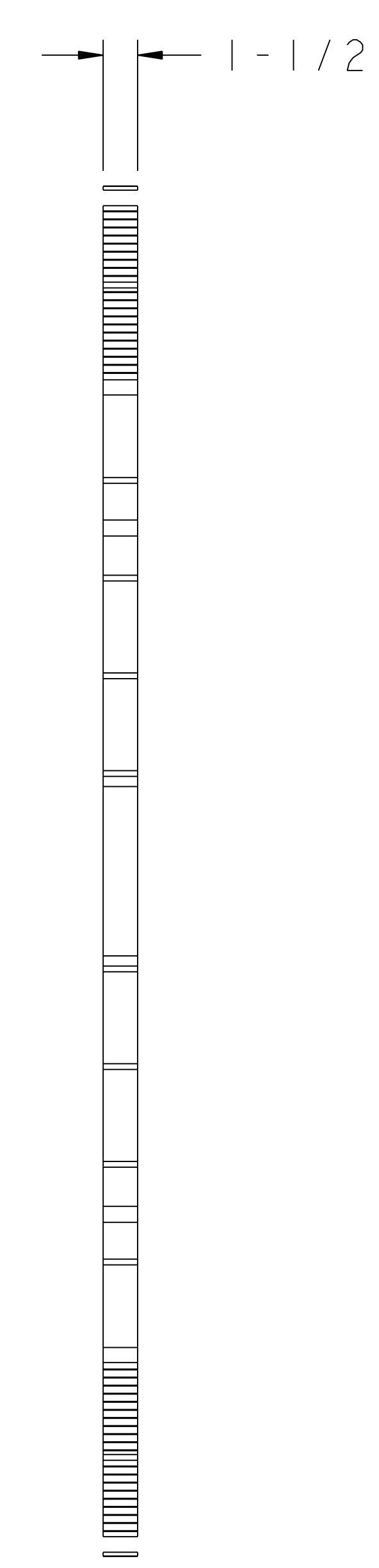
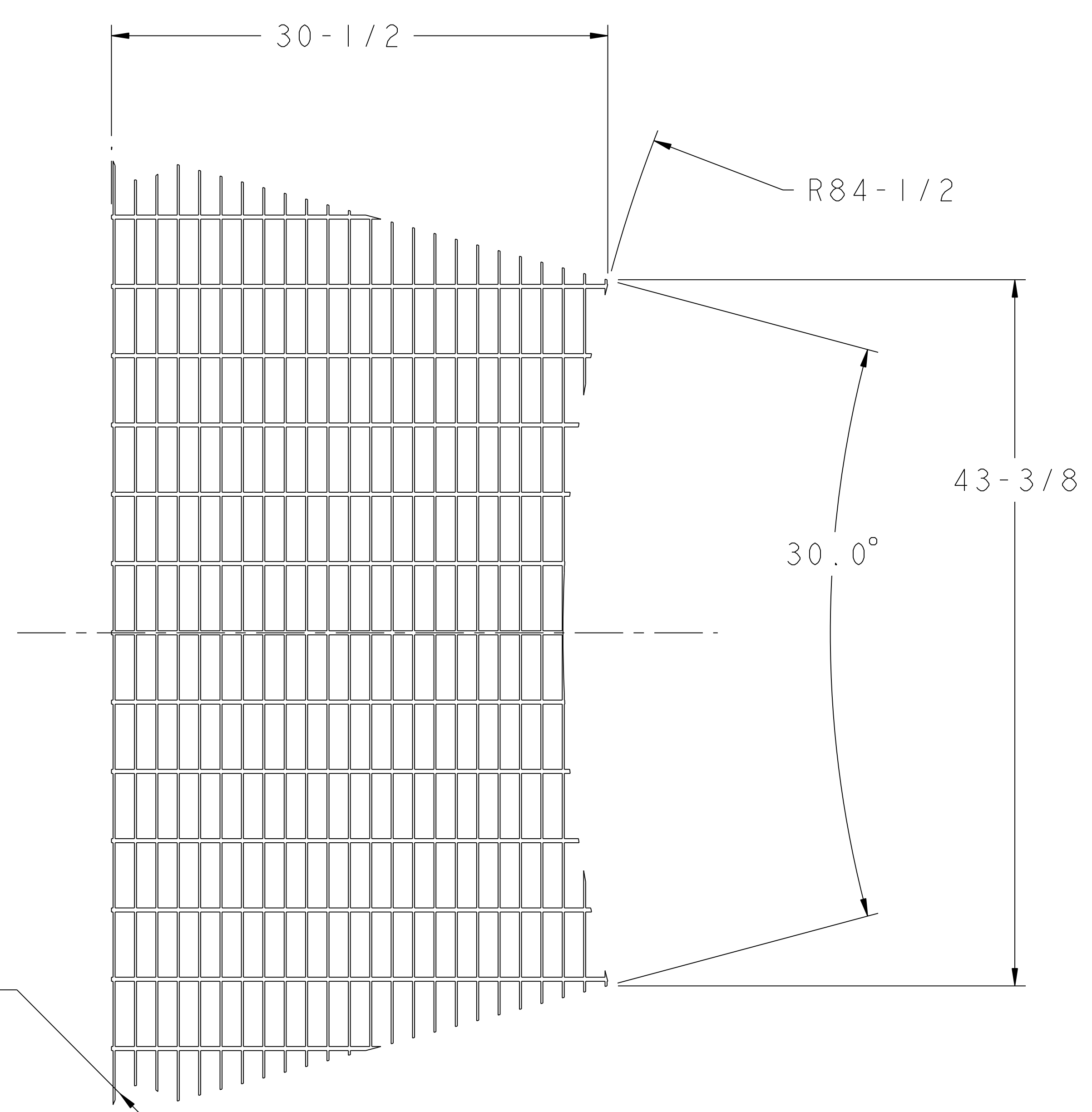
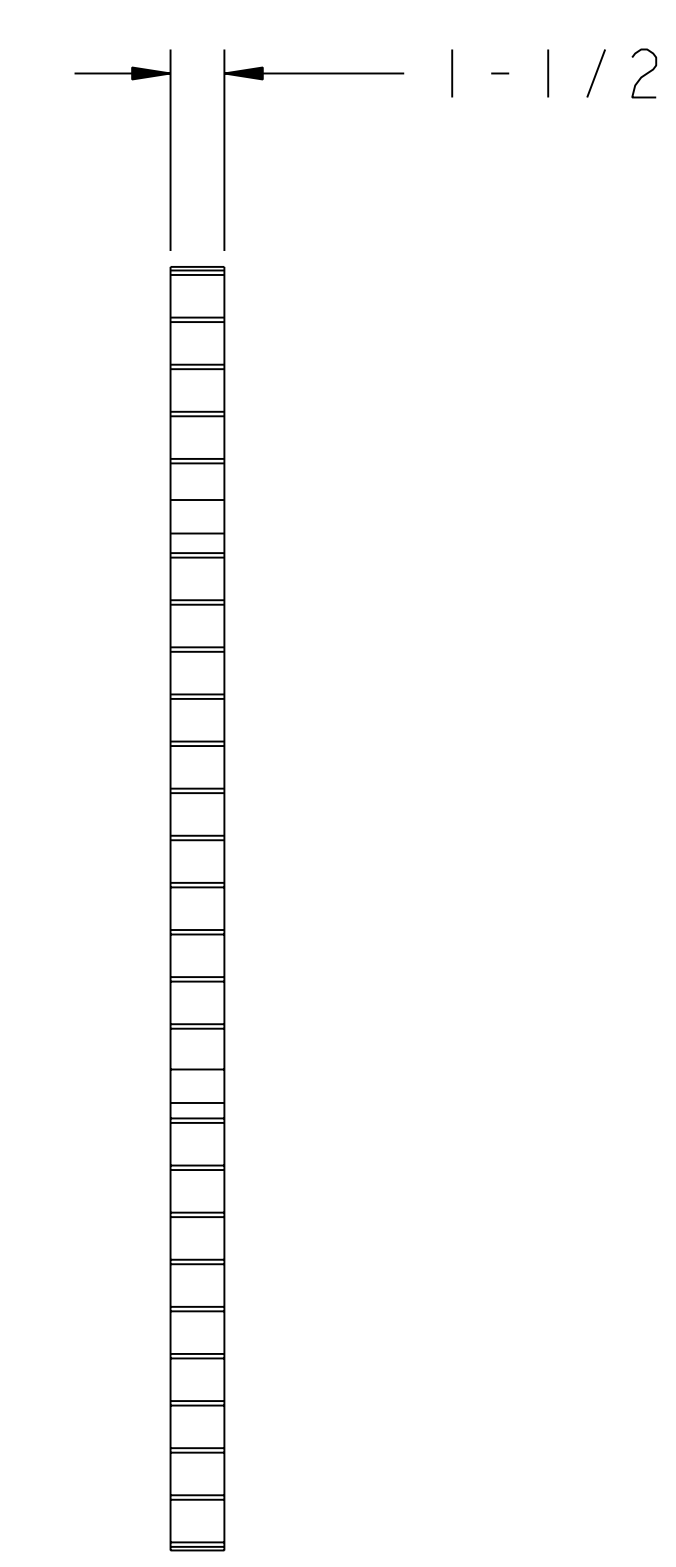
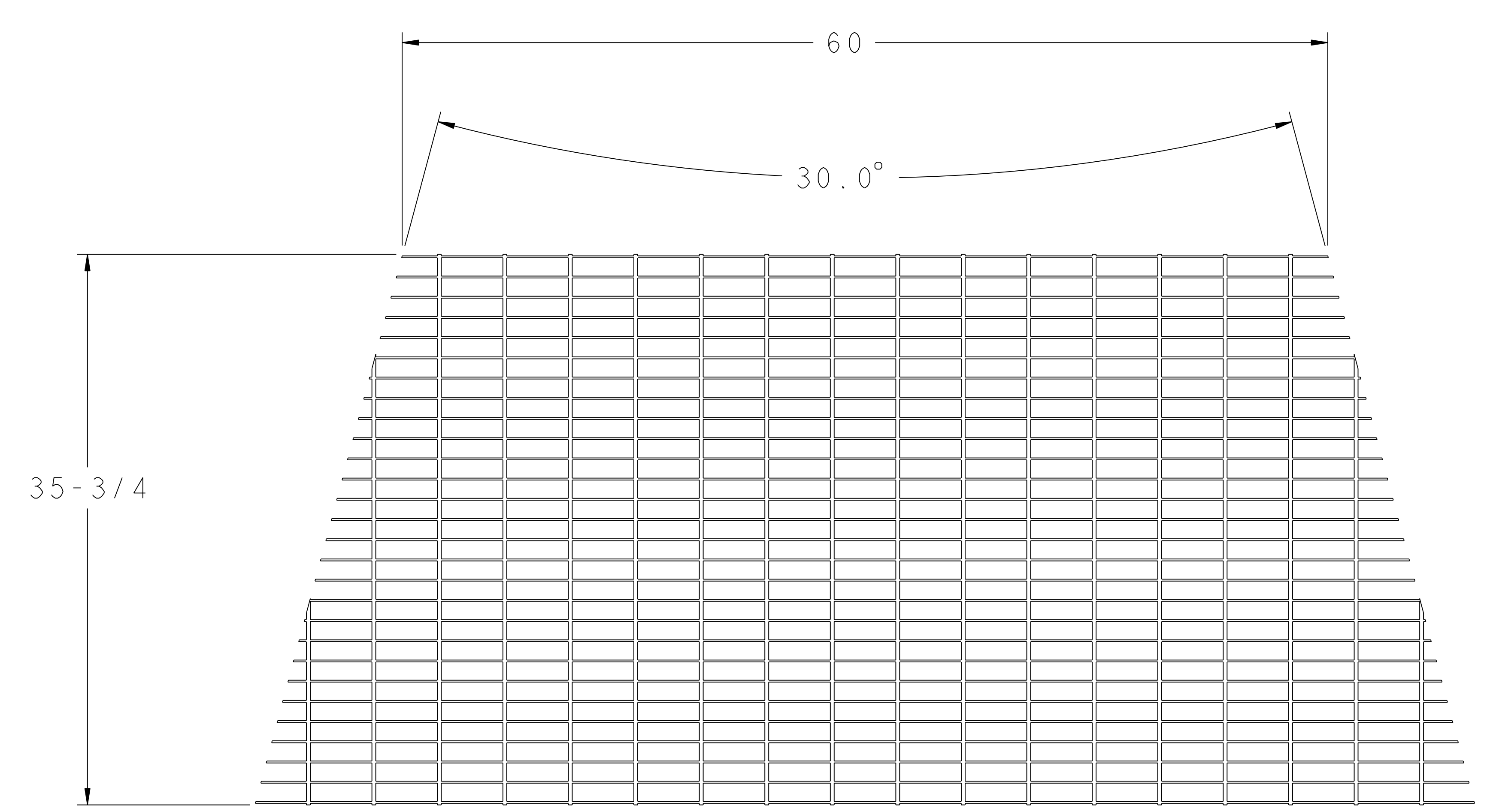


NO.	REVISION	BY	CH	SUP	APPROVED	DATE



1 FLOOR GRATING STANDARD
 USE RYERSON RY-WELD 1 1/2 X 1/8
 SCALE 0.187



2 FLOOR GRATING PLATFORM EXTENSION
 USE RYERSON RY-WELD 1 1/2 X 1/8
 SCALE 0.187

RELEASED FOR FABRICATION / INSTALLATION

2	SE144-367	EXTERIOR PLATFORM EXTENSION FLOOR GRATING	CARBON STEEL	1
1	SE144-358	EXTERIOR PLATFORM FLOOR GRATING	CARBON STEEL	23
PART NO.	DRAWING NO	NOMENCLATURE OR DESCRIPTION	MATERIAL	QTY REOD
PARTS LIST				
COMPUTER GENERATED DRAWING MANUAL CHANGES NOT PERMITTED Pro E		CENTRAL FILES: UNLESS OTHERWISE SPECIFIED DIMENSIONS ARE IN INCHES MACHINE SURFACES BREAK SHARP EDGES .005/.020	PRINCETON PLASMA PHYSICS LABORATORY NATIONAL COMPACT STELLARATOR EXPERIMENT STELLARATOR CORE MODULAR COIL WINDING FACILITY EXTERIOR PLATFORM GRATING DETAILS	
DO NOT VERIFY INFORMATION BY SCALING DRAWING		TOLERANCES NON-CUMULATIVE DECIMAL-INCH FRACTIONS NEXT ASSEMBLY	DSN: J. RUSHINSKI CHK: ENGR: S. RAFTOPOULOS SUPV:	DRAWING NO: SE144-385
RELEASE LEVEL: Fabrication DWG VERSION NO: 0		WEIGHT 96.9 lbs MODEL NAME SE144-385	WELDING ENGINEER	SHEET 1 OF 1 REV 0

NCSX-SE144-385