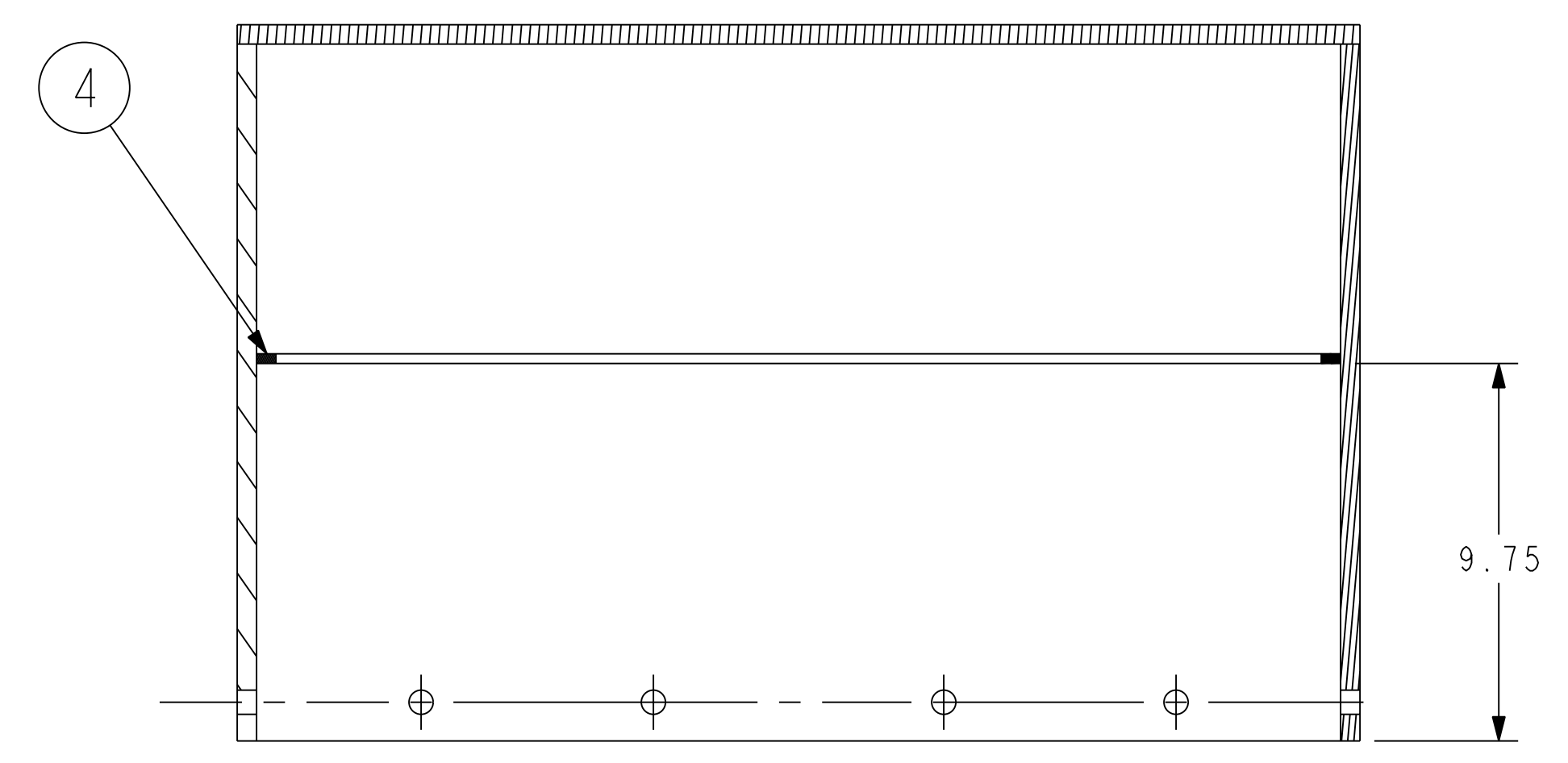
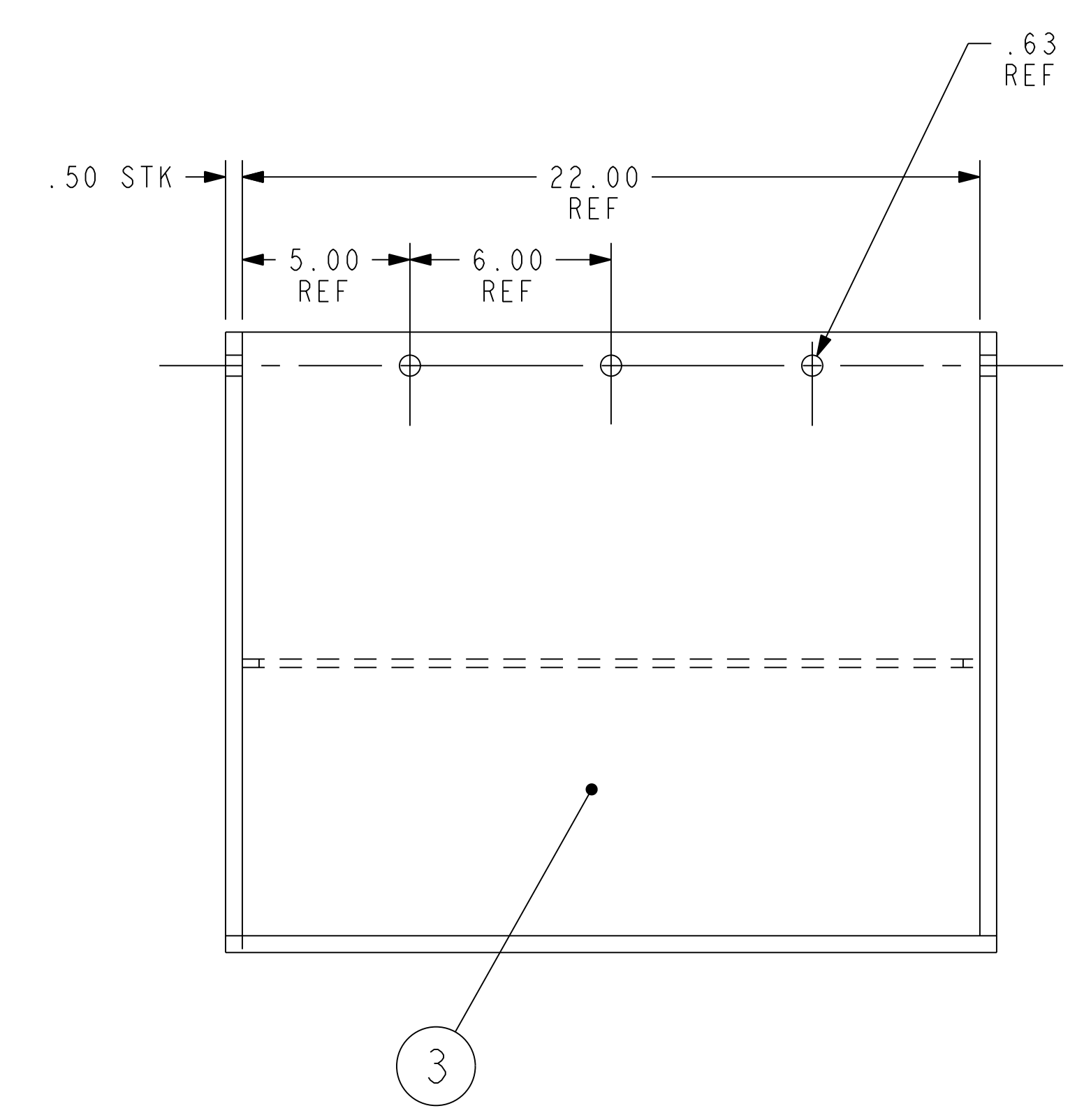
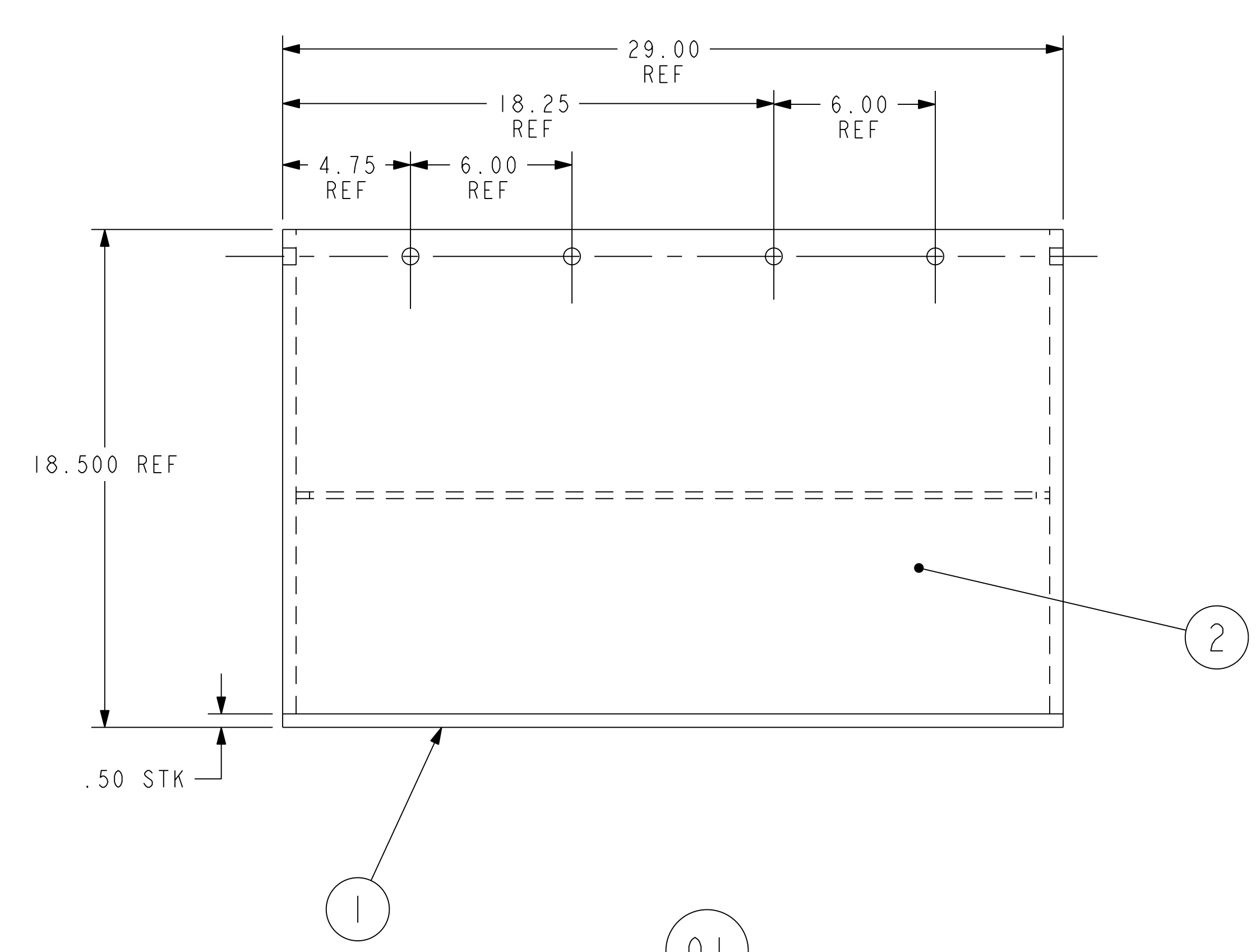
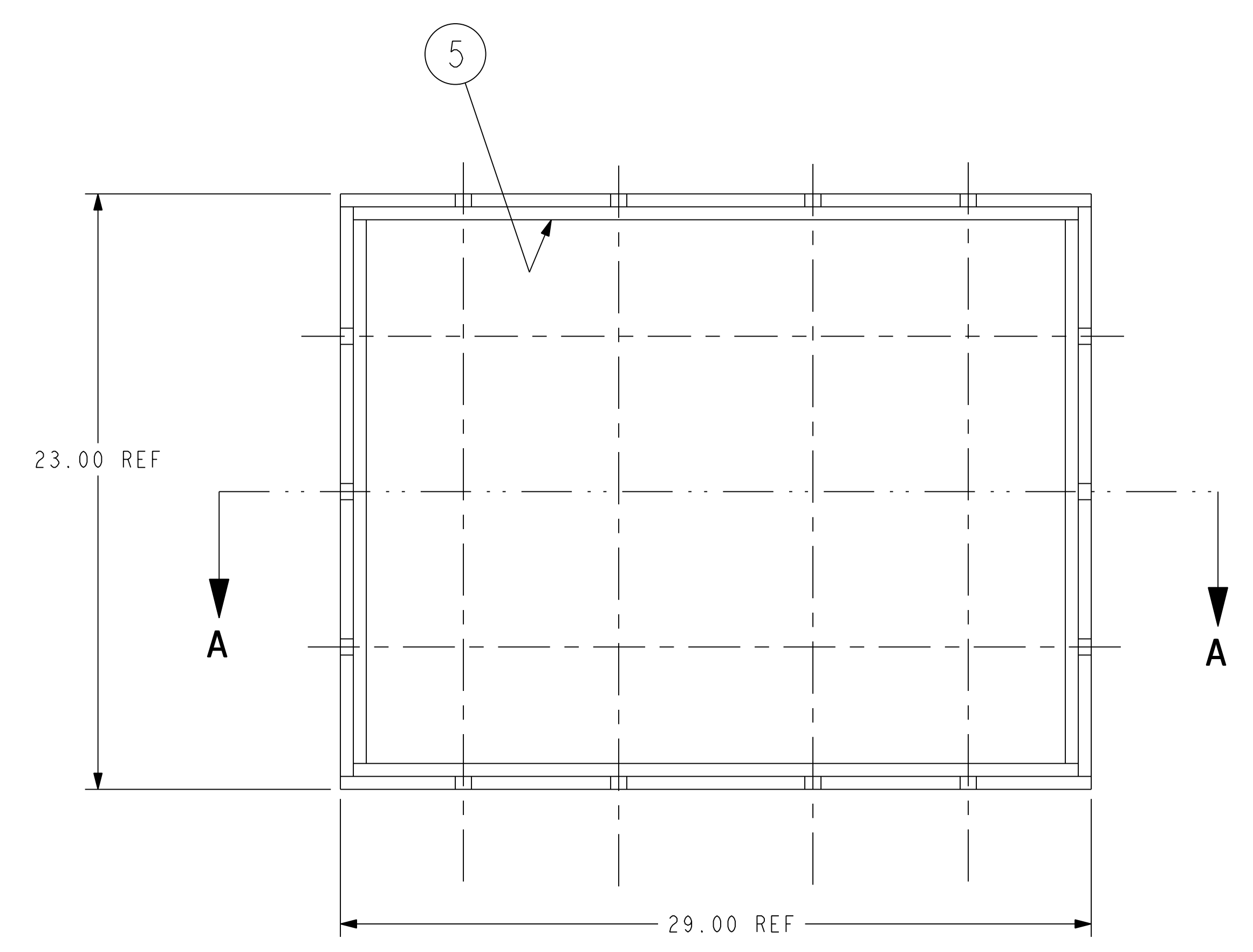


NO.	REVISION	BY	CH	SUP	APPROVED	DATE



SECTION A-A



01
ASSEMBLY
 1 REQ'D
 SCALE 0.250

**RELEASED FOR
 FABRICATION / INSTALLATION**
 PPPL Drafting:

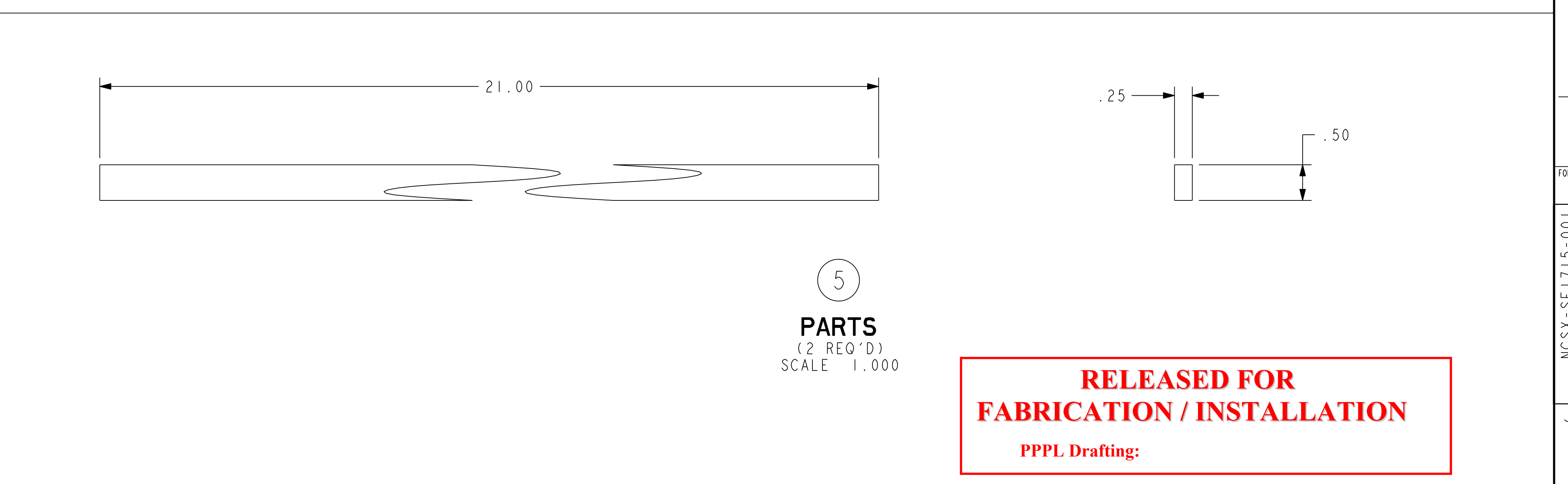
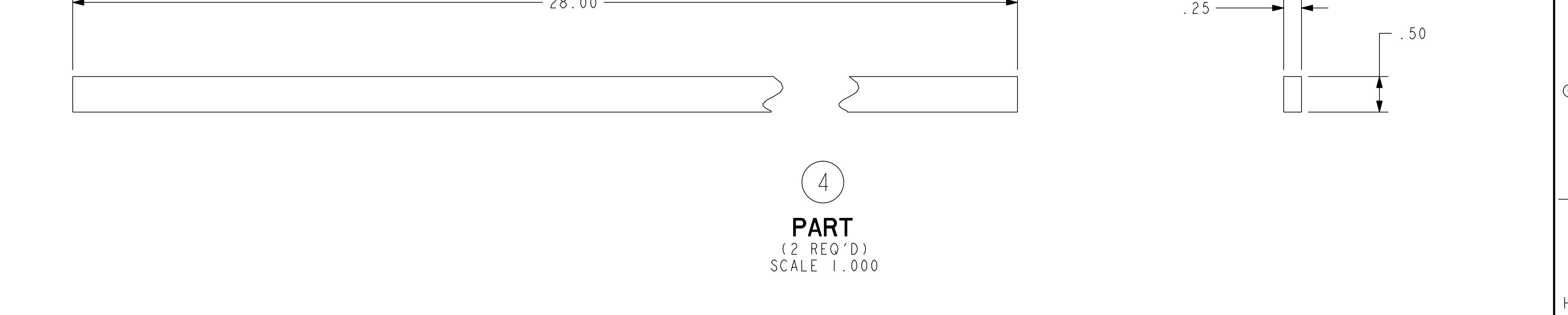
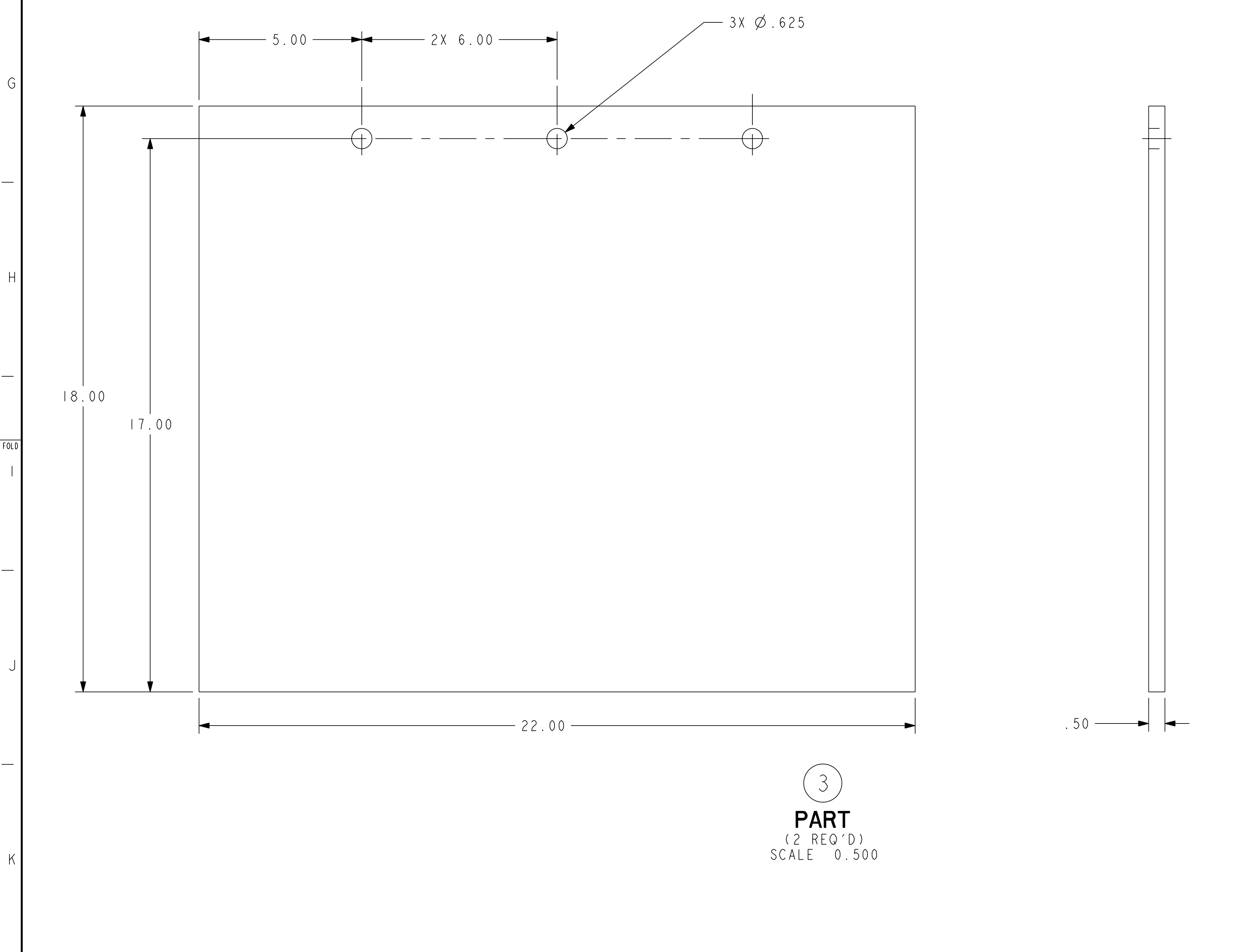
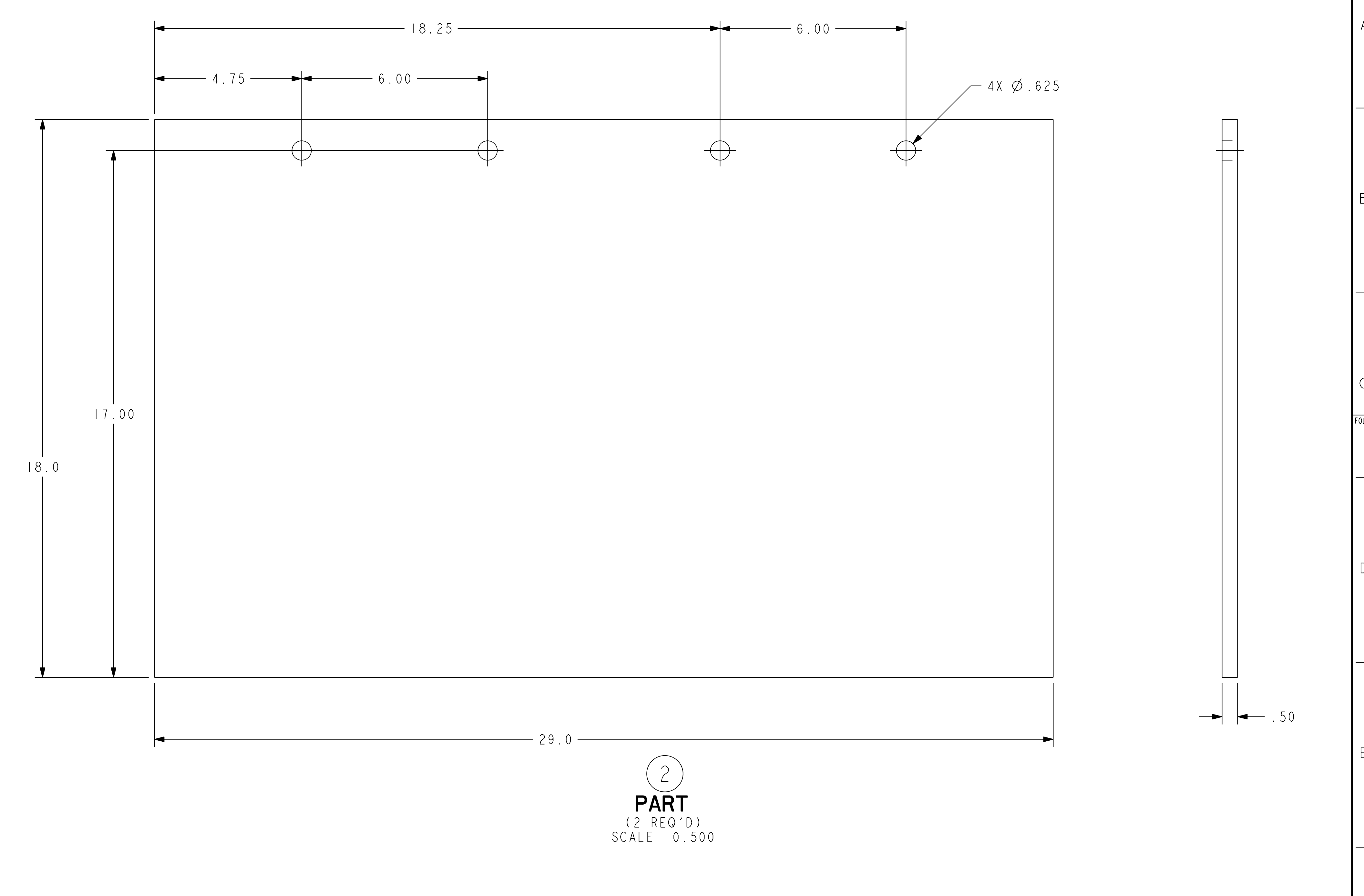
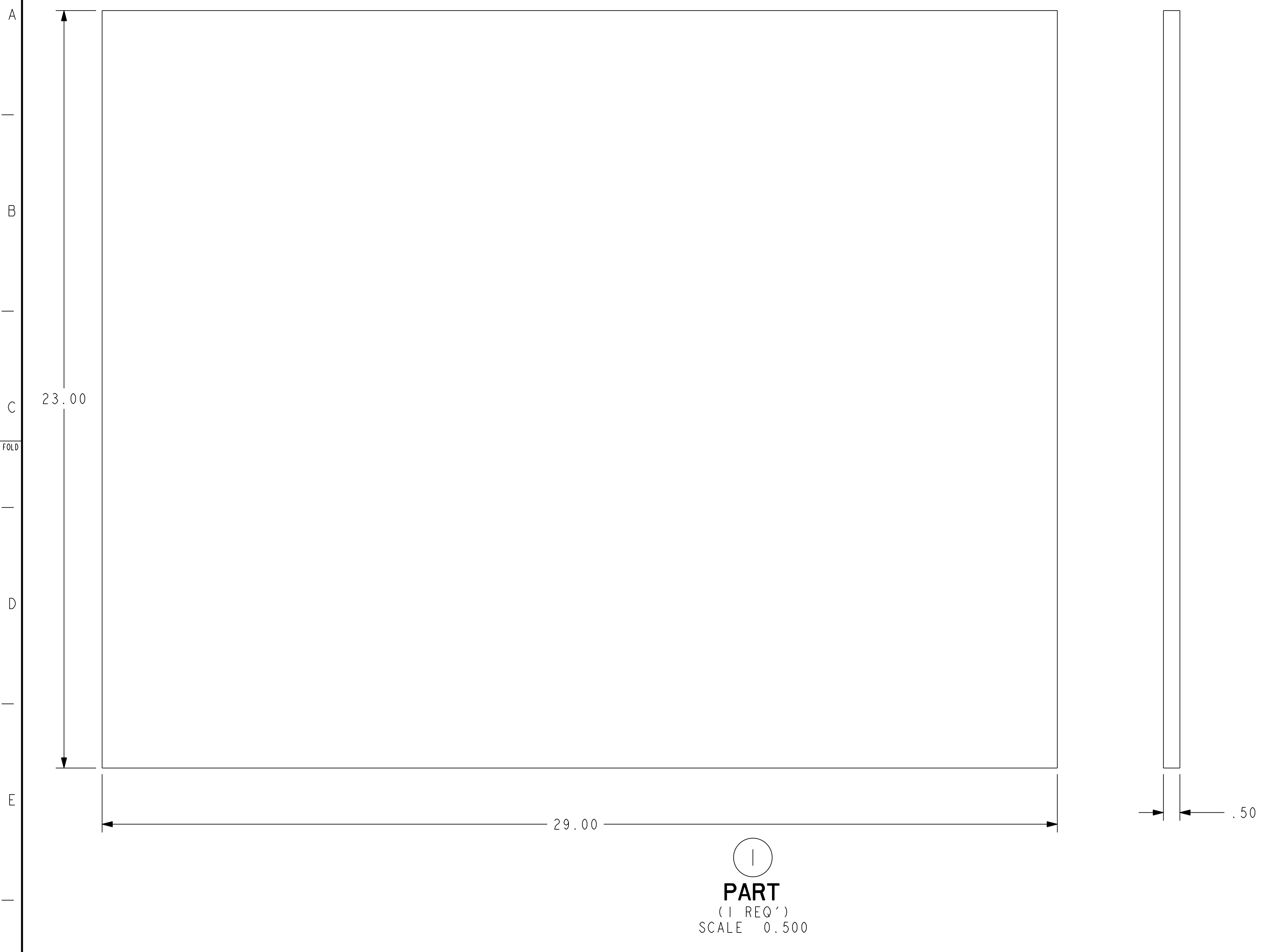
PART NO.	DRAWING NO	NOMENCLATURE OR DESCRIPTION	MATERIAL	QTY REQD
5	SE1715-001-5	PLATE, BACKING EDGE FRONT AND BACK	G10	2
4	SE1715-001-4	PLATE, BACKING EDGE SIDES	G10	2
3	SE1715-001-3	PLATE, SIDE 1/2" THK	G10	2
2	SE1715-001-2	PLATE, FRONT AND BACK 1/2" THK	G10	2
1	SE1715-001-1	PLATE, BOTTOM 1/2" THK	G10	1
-	SE1715-001-01	CRYOSTAT PANEL TEST CHAMBER	-	1

PARTS LIST				
COMPUTER GENERATED DRAWING MANUAL CHANGES NOT PERMITTED Pro E	CENTRAL FILES: UNLESS OTHERWISE SPECIFIED	PRINCETON PLASMA PHYSICS LABORATORY PRINCETON UNIVERSITY NATIONAL COMPACT STELLARATOR EXPERIMENT CRYOSTAT PANEL TEST CHAMBER		
DO NOT VERIFY INFORMATION BY SCALING DRAWING	DIMENSIONS ARE IN INCHES MACHINE SURFACES UNLESS OTHERWISE SPECIFIED BREAK SHARP EDGES .005/.020	TOLERANCES NON-CUMULATIVE	DSN: M.MESSINEO	10-06-05 DRAWING NO:
NEXT ASSEMBLY	DECIMAL-INCH FRACTIONS	CHK: L.MORRIS	10-06-05	SE1715-001
WEIGHT 1238.5 lbs	MODEL NAME SE1715-001-01	ENGR: G.GETTELFINGER	10-06-05	SHEET 1 OF 2
WELDING ENGINEER	RELEASE LEVEL: FABRICATION DWG VERSION NO: 4	SUPV: J.SIEGEL	10-06-05	REV 0

NCSX-SE1715-001

NCSX_ASSY-FORMAT.E

NO.	REVISION	BY	CH	SUP	APPROVED	DATE



**RELEASED FOR
FABRICATION / INSTALLATION**
PPPL Drafting:

RELEASE LEVEL: Fabrication
DWG VERSION NO: 4

WEIGHT
+238.5 lbs

MODEL NAME
SE1715-001-01

WELDING ENGINEER

COMPUTER GENERATED DRAWING MANUAL CHANGES NOT PERMITTED Pro E	CENTRAL FILES: UNLESS OTHERWISE SPECIFIED	PRINCETON PLASMA PHYSICS LABORATORY PRINCETON UNIVERSITY NATIONAL COMPACT STELLARATOR EXPERIMENT	
DO NOT VERIFY INFORMATION BY SCALING DRAWING	DIMENSIONS ARE IN INCHES MACHINE SURFACES BREAK SHARP EDGES .005/.020	CRYSTAT PANEL TEST CHAMBER DETAILS	
NEXT ASSEMBLY	TOLERANCES NON-CUMULATIVE DECIMAL-INCH FRACTIONS .XX ±.000 .XXX ±.005 ANGULAR ±.0°-15° OVER 120° ±.1°-1.2°	DSN: M. MESSINEO CHK: L. MORRIS ENGR: G. GETTELFINGER SUPV: J. SIEGEL	10-06-05 10-06-05 10-06-05 10-06-05
		DRAWING NO: SE1715-001	SHEET 2 OF 2 REV 0

NCSX-SE1715-001