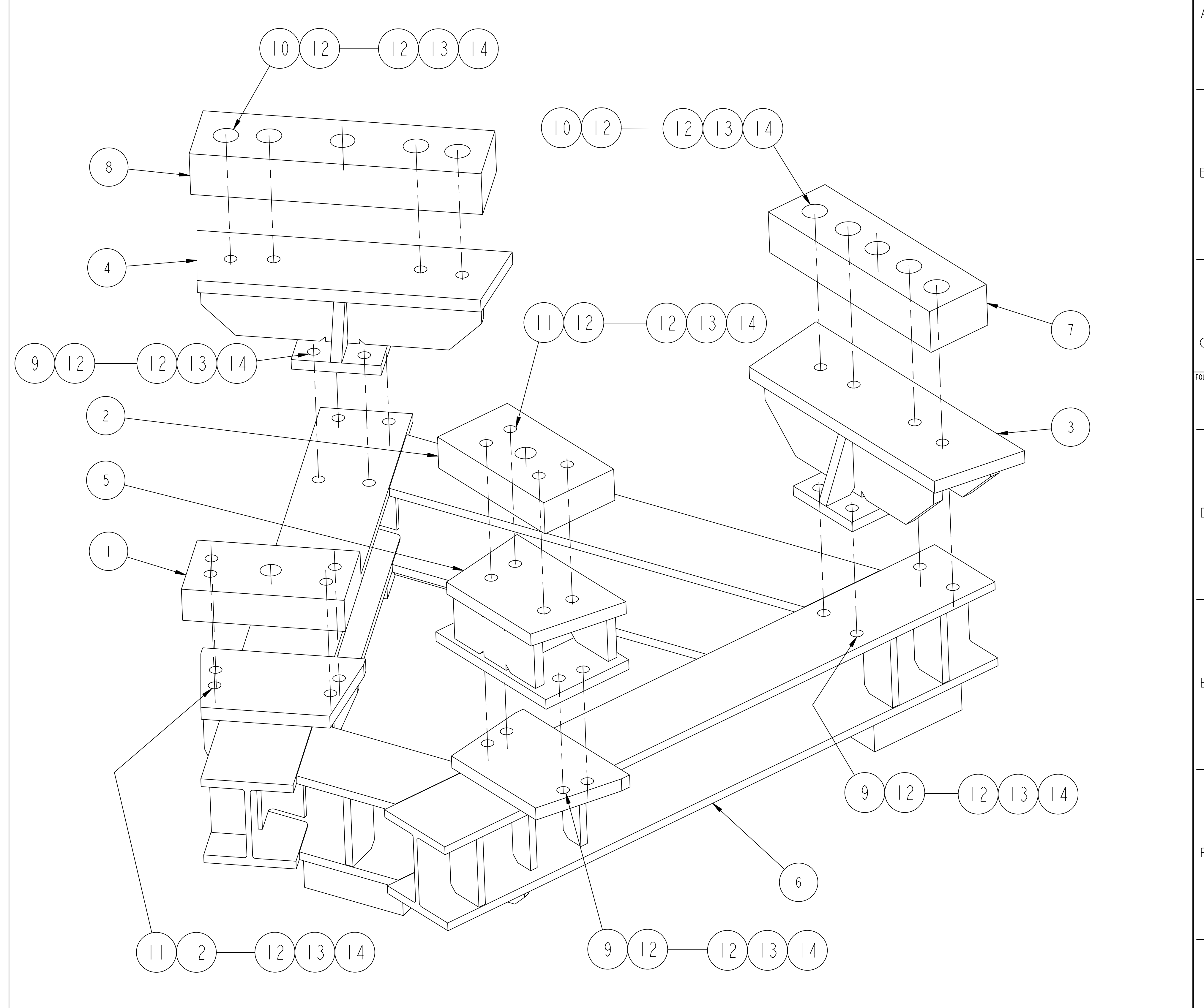


PART NO.	DRAWING NO	NOMENCLATURE OR DESCRIPTION	MATERIAL	QTY REQD
14	COMM	1"-8UNC-2B HEX NUT	ASTM A194 GRADE 8	28
13	COMM	1" SPLIT LOCK WASHER	ASTM A194 GRADE 8 COMPATIBLE	28
12	COMM	1" FLAT WASHER	ASTM F436	56
11	COMM	1"-8UNC-2A x 6 1/2 LG HEX HEAD CAP SCREW	SAE J429 GRADE 8	8
10	COMM	1"-8UNC-2A x 5 1/2 LG HEX HEAD CAP SCREW	SAE J429 GRADE 8	8
9	COMM	1"-8UNC-2A x 4" LG HEX HEAD CAP SCREW	SAE J429 GRADE 8	12
8	SE185-328-2	25 TON HOIST BLOCK FOR TYPE-A OUTBOARD FOOT	ASTM A36	1
7	SE185-328-1	25 TON HOIST BLOCK FOR TYPE-C OUTBOARD FOOT	ASTM A36	1
6	SE185-316-01	MCWF HALF PERIOD LIFTING FIXTURE FRAME WELDMENT	--	1
5	SE185-315-06	LIFTING FIXTURE MOUNTING BRACKET WELDMENT - TYPE "F"	--	1
4	SE185-315-05	LIFTING FIXTURE MOUNTING BRACKET WELDMENT - TYPE "E"	--	1
3	SE185-315-04	LIFTING FIXTURE MOUNTING BRACKET WELDMENT - TYPE "D"	--	1
2	SC185-327-2	20000# LOAD TEST INBOARD LIFTING BLOCK - TYPE "B"	ASTM A36	1
1	SC185-327-1	20000# LOAD TEST INBOARD LIFTING BLOCK - TYPE "A"	ASTM A36	1

PARTS LIST

SE185-329-01 ASSEMBLY



PART NO.	DRAWING NO	NOMENCLATURE OR DESCRIPTION	MATERIAL	QTY REQD
14	COMM	1"-8UNC-2B HEX NUT	ASTM A194 GRADE 8	48
13	COMM	1" SPLIT LOCK WASHER	ASTM A194 GRADE 8	48
12	COMM	1" FLAT WASHER	ASTM F436	56
11	COMM	1"-8UNC-2A x 6 1/2 LG HEX HEAD CAP SCREW	SAE J429 GRADE 8	8
10	COMM	1"-8UNC-2A x 5 1/2 LG HEX HEAD CAP SCREW	SAE J429 GRADE 8	8
9	COMM	1"-8UNC-2A x 4" LG HEX HEAD CAP SCREW	SAE J429 GRADE 8	12
8	SE185-328-2	25 TON HOIST BLOCK FOR TYPE-A OUTBOARD FOOT	ASTM A36	1
7	SE185-328-1	25 TON HOIST BLOCK FOR TYPE-C OUTBOARD FOOT	ASTM A36	1
6	SE185-316-01	MCWF HALF PERIOD LIFTING FIXTURE FRAME WELDMENT	--	1
5	SE185-315-03	LIFTING FIXTURE MOUNTING BRACKET WELDMENT - TYPE "C"	--	1
4	SE185-315-02	LIFTING FIXTURE MOUNTING BRACKET WELDMENT - TYPE "B"	--	1
3	SE185-315-01	LIFTING FIXTURE MOUNTING BRACKET WELDMENT - TYPE "A"	--	1
2	SC185-327-2	20000# LOAD TEST INBOARD LIFTING BLOCK - TYPE "B"	ASTM A36	1
1	SC185-327-1	20000# LOAD TEST INBOARD LIFTING BLOCK - TYPE "A"	ASTM A36	1

PARTS LIST

SE185-329-02 ASSEMBLY

RELEASED FOR FABRICATION / INSTALLATION
PPPL Drafting

RELEASE LEVEL: Fabrication
DWG VERSION NO: 1

WEIGHT	2183.5 lbs
MODEL NAME	SE185-329-01
WELDING ENGINEER	

COMPUTER GENERATED DRAWING MANUAL CHANGES NOT PERMITTED Pro E	CENTRAL FILES: UNLESS OTHERWISE SPECIFIED DIMENSIONS ARE IN INCHES MACHINE SURFACES UNLESS NOTED BREAK SHARP EDGES .005/.020	PRINCETON PLASMA PHYSICS LABORATORY PRINCETON UNIVERSITY NATIONAL COMPACT STELLATOR EXPERIMENT FIELD PERIOD ASSEMBLY FIELD PERIOD ASSEMBLY FIXTURE MCWF HALF PERIOD LIFTING FIXTURE FRAME LOAD TEST ASSEMBLIES
DO NOT VERIFY INFORMATION BY SCALING DRAWING	TOLERANCES NON-CUMULATIVE DECIMAL-INCH FRACTIONS .XX +/- .000 0"-12" +/- .016 .XXX +/- .005 12"-120" +/- .016 ANGULAR +/- .015	DSN: R. UPCAUGE 4-29-08 CHK: M. VIOLA 4-29-08 ENGR: T. BROWN 4-29-08 SUPV: J. SIEGEL 4-29-08
NEXT ASSEMBLY		DRAWING NO: SE185-329
		SHEET 1 OF 1 REV 0.1