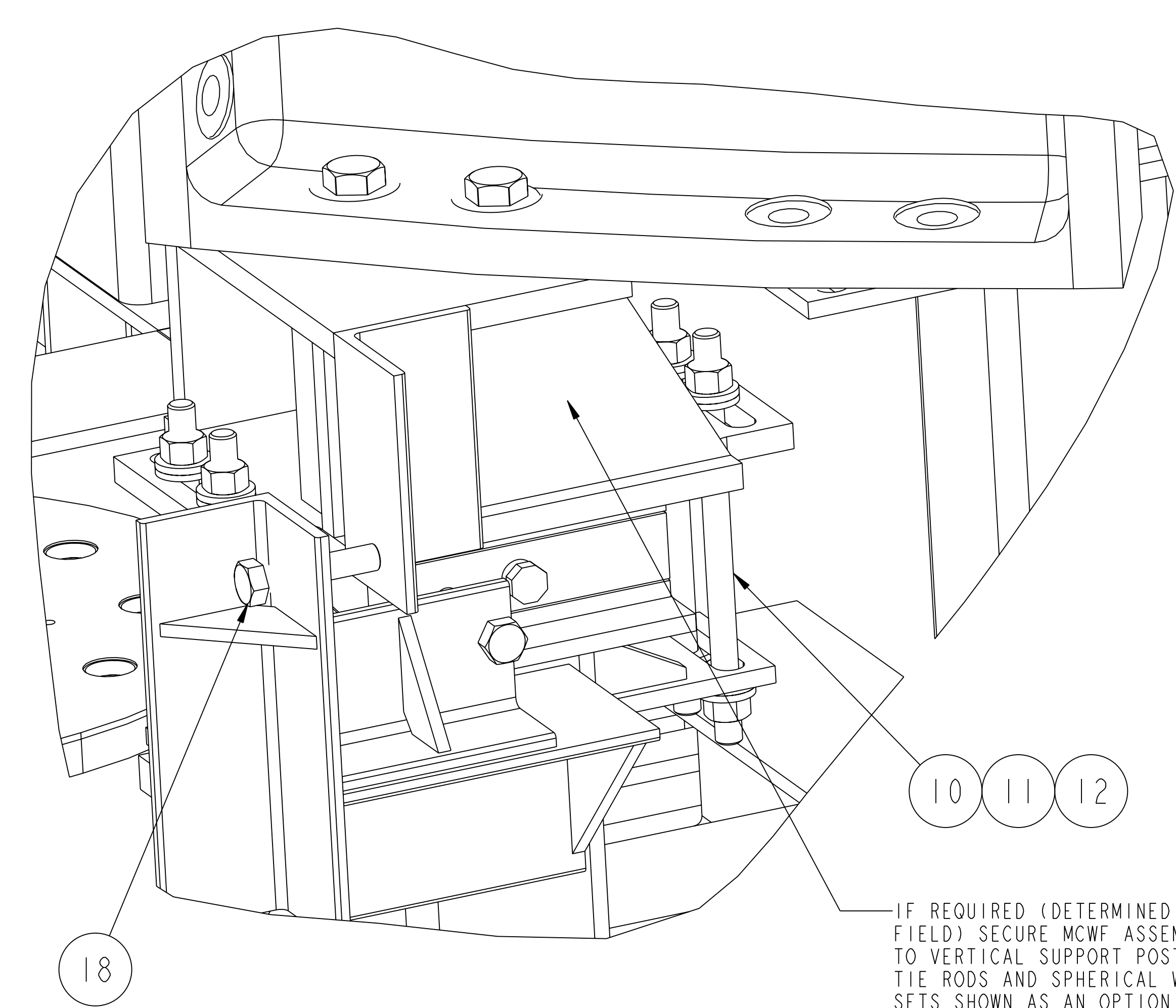
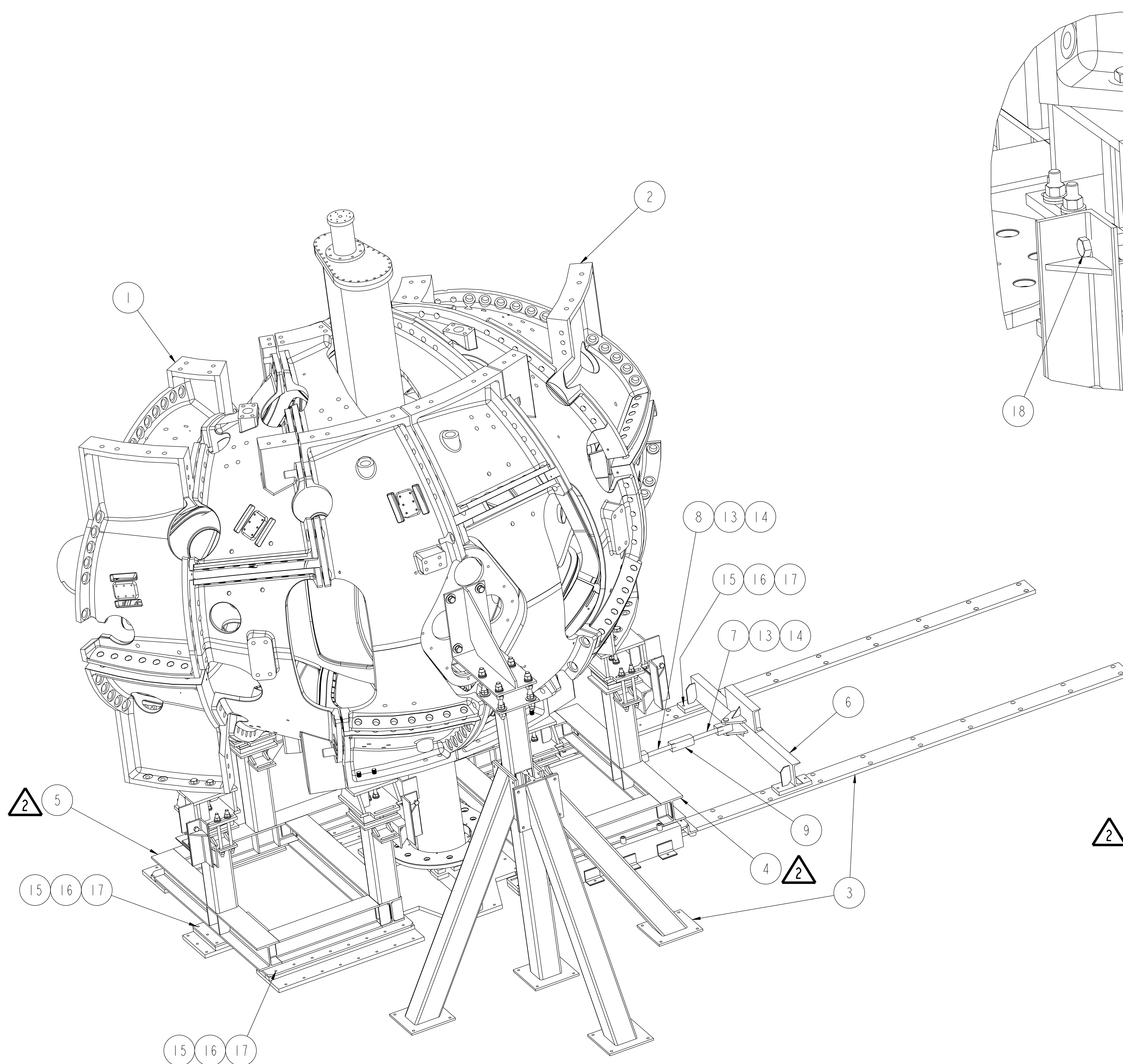


NO.	REVISION	BY	CH	SUP	APPROVED	DATE
1	REVISED PER ECN-5309	LM	TB	JS	T. BROWN	11-21-07
2	REVISED PER ECN-5347	LM	TB	JS	T. BROWN	4-18-08



IF REQUIRED (DETERMINED IN FIELD) SECURE MCWF ASSEMBLIES TO VERTICAL SUPPORT POSTS. TIE RODS AND SPHERICAL WASHER SETS SHOWN AS AN OPTION.

RELEASED FOR FABRICATION / INSTALLATION
PPPL Drafting:

QTY	PART NO.	DRAWING NO.	NOMENCLATURE OR DESCRIPTION	MATERIAL	QTY RECD
12	18	COMM	3/4-10UNC-2A x 3 1/2" LG	C'STL - ZN PLT	
30	17	COMM	1/2 SPLIT LOCK WASHER	C'STL - ZN PLT	
30	16	COMM	1/2 FLAT WASHER	C'STL - ZN PLT	
30	15	COMM	1/2-13UNC-2A x 2" LG HEX HD CAP SCREW	C'STL - ZN PLT	
2	14	COMM	3/16 DIA COTTER PIN	C'STL - ZN PLT	
2	13	COMM	CLEVIS PIN - 1" DIA x 4" LG	C'STL - ZN PLT	
48	12	COMM	3/4-10UNC-2B HEX NUT	C'STL - ZN PLT	
48	11	COMM	3/4 DIA SPHERICAL WASHER SET - McMASTER CARR #91121A090	C'STL - ZN PLT	
24	10	COMM	3/4-10UNC-2A x 12" LG HOLD DOWN TIE ROD	C'STL - ZN PLT	
1	9	SE186-333-8	ADJUSTER BLOCK - R.H. AND L.H. THREAD	SEE DWG	
1	8	SE186-333-03	ADJUSTER BAR - L.H. THREAD	SEE DWG	
1	7	SE186-333-02	ADJUSTER BAR WELDMENT - R.H. THREAD	SEE DWG	
1	6	SE186-333-01	ADJUSTER BAR SUPPORT STRUCTURE WELDMENT	SEE DWG	
1	5	SE186-334-02	MCWF LEFT SIDE SUPPORT CART WELDMENT	SEE DWG	
1	4	SE186-334-01	MCWF RIGHT SIDE SUPPORT CART ASSEMBLY	SEE DWG	
1	3	SE185-303	FLOOR MOUNTED TRACKS W/ V.V. BASE SUPPORT	SEE DWG	
1	2	SE185-302-02	RIGHT HALF PERIOD ASSEMBLY	SEE DWG	
1	1	SE185-302-01	LEFT HALF PERIOD ASSEMBLY	SEE DWG	
1			THIS DWG	FPA STAGE #3 MCWF OVER V.V.	

COMPUTER GENERATED DRAWING		CENTRAL FILES:		PRINCETON PLASMA PHYSICS LABORATORY	
DRAWING CHANGES NOT PERMITTED		UNLESS OTHERWISE SPECIFIED		NATIONAL COMPACT STELLARATOR EXPERIMENT	
Pro E		DIMENSIONS ARE IN INCHES		STELLARATOR CORE	
DO NOT VERIFY INFORMATION BY SCALING DRAWING		BREAK SHARP EDGES .005/.020		TOOLING DESIGN & FABRICATION	
NEXT ASSEMBLY		TOLERANCES NON-CUMULATIVE		FPA STAGE #3 MCWF OVER VACUUM VESSEL	
		DECIMAL-INCH FRACTIONS		DSN: L. MORRIS 8-2-2007 DRAWING NO:	
		.XX +/- .000 0"-.125" +/- .0010		CHK: M. COLE 8-2-2007	
		.XXX +/- .005 12"-.125" +/- .010		ENGR: T. BROWN 8-2-2007	
		ANGULAR +/- .05 OVER .125" +/- .125		SUPV: J. SIEGEL 8-2-2007	
				SHEET 1 OF 1	
				REV 2	

WEIGHT: 44085.3 lbs
MODEL NAME: SE186-300
RELEASE LEVEL: Fabrication
DWG VERSION NO: 1

NCSX-SE186-300