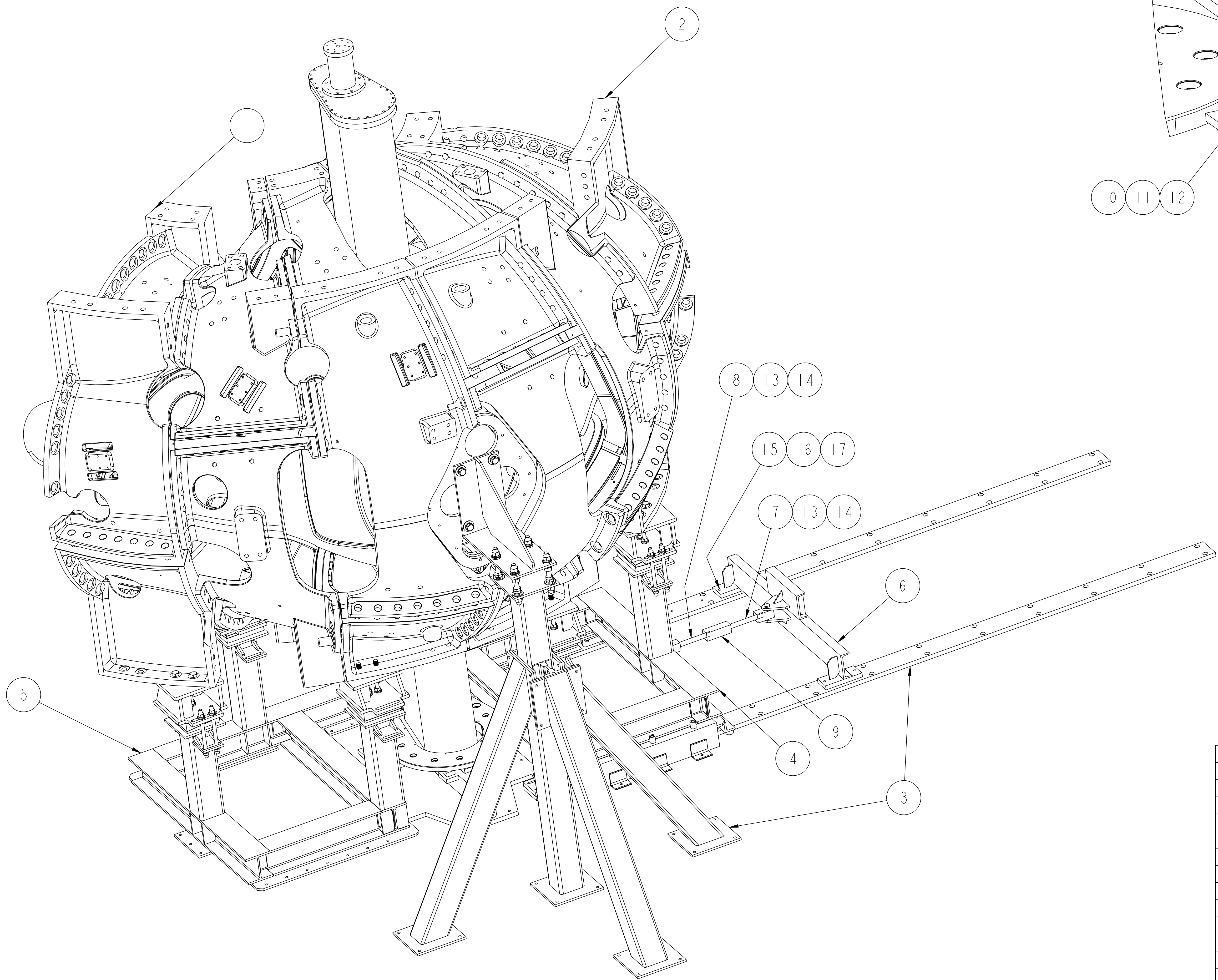


NO.	REVISION	BY	CH	SUP	APPROVED	DATE



IF REQUIRED (DETERMINED IN FIELD) SECURE MCWF ASSEMBLIES TO VERTICAL SUPPORT POSTS. TIE RODS AND SPHERICAL WASHER SETS SHOWN AS AN OPTION.

**RELEASED FOR FABRICATION / INSTALLATION**  
PPPL Drafting:

QTY	PART NO.	DRAWING NO.	NOMENCLATURE OR DESCRIPTION	MATERIAL	QTY RECD
4	17	COMM	1/2 SPLIT LOCK WASHER	C'STL - ZN PLT	
4	16	COMM	1/2 FLAT WASHER	C'STL - ZN PLT	
4	15	COMM	1/2-13UNC-2A x 2" LG HEX HD CAP SCREW	C'STL - ZN PLT	
2	14	COMM	3/16 DIA COTTER PIN	C'STL - ZN PLT	
2	13	COMM	CLEVIS PIN - 1" DIA x 4" LG	C'STL - ZN PLT	
48	12	COMM	3/4-10UNC-2B HEX NUT	C'STL - ZN PLT	
48	11	COMM	3/4 DIA SPHERICAL WASHER SET - McMASTER CARR #91121A090	C'STL - ZN PLT	
24	10	COMM	3/4-10UNC-2A x 12" LG HOLD DOWN TIE ROD	C'STL - ZN PLT	
1	9	SE186-333-8	ADJUSTER BLOCK - R.H. AND L.H. THREAD	SEE DWG	
1	8	SE186-333-03	ADJUSTER BAR - L.H. THREAD	SEE DWG	
1	7	SE186-333-02	ADJUSTER BAR WELDMENT - R.H. THREAD	SEE DWG	
1	6	SE186-333-01	ADJUSTER BAR SUPPORT STRUCTURE WELDMENT	SEE DWG	
1	5	SE186-330-02	MCWF LEFT SIDE SUPPORT CART WELDMENT	SEE DWG	
1	4	SE186-315	MCWF RIGHT SIDE SUPPORT CART ASSEMBLY	SEE DWG	
1	3	SE185-303	FLOOR MOUNTED TRACKS W/ V.V. BASE SUPPORT	SEE DWG	
1	2	SE185-302-02	RIGHT HALF PERIOD ASSEMBLY	SEE DWG	
1	1	SE185-302-01	LEFT HALF PERIOD ASSEMBLY	SEE DWG	
1			THIS DWG	FPA STAGE #3 MCWF OVER V.V.	

**WEIGHT**  
42927.0 lbs

**MODEL NAME**  
SE186-300

**RELEASE LEVEL: Fabrication**  
**DWG VERSION NO: 27**

COMPUTER GENERATED DRAWING DRAWING CHANGES NOT PERMITTED Pro E DO NOT VERIFY INFORMATION BY SCALING DRAWING	CENTRAL FILES: UNLESS OTHERWISE SPECIFIED DIMENSIONS ARE IN INCHES MACHINE SURFACES BREAK SHARP EDGES .005/.020	PRINCETON PLASMA PHYSICS LABORATORY PRINCETON UNIVERSITY <b>NATIONAL COMPACT STELLARATOR EXPERIMENT</b> STELLARATOR CORE TOOLING DESIGN & FABRICATION FPA STAGE #3 MCWF OVER VACUUM VESSEL	
NEXT ASSEMBLY	TOLERANCES - NON-CUMULATIVE DECIMAL-INCH FRACTIONS .XX +/- .030 .XXX +/- .005 ANGULAR +/- .015	DSN: L. MORRIS 8-2-2007 CHK: M. COLE 8-2-2007 ENGR: T. BROWN 8-2-2007 SUPV: J. SIEGEL 8-2-2007	DRAWING NO: <b>SE186-300</b> SHEET 1 OF 1 REV 0

NCSX-SE186-300