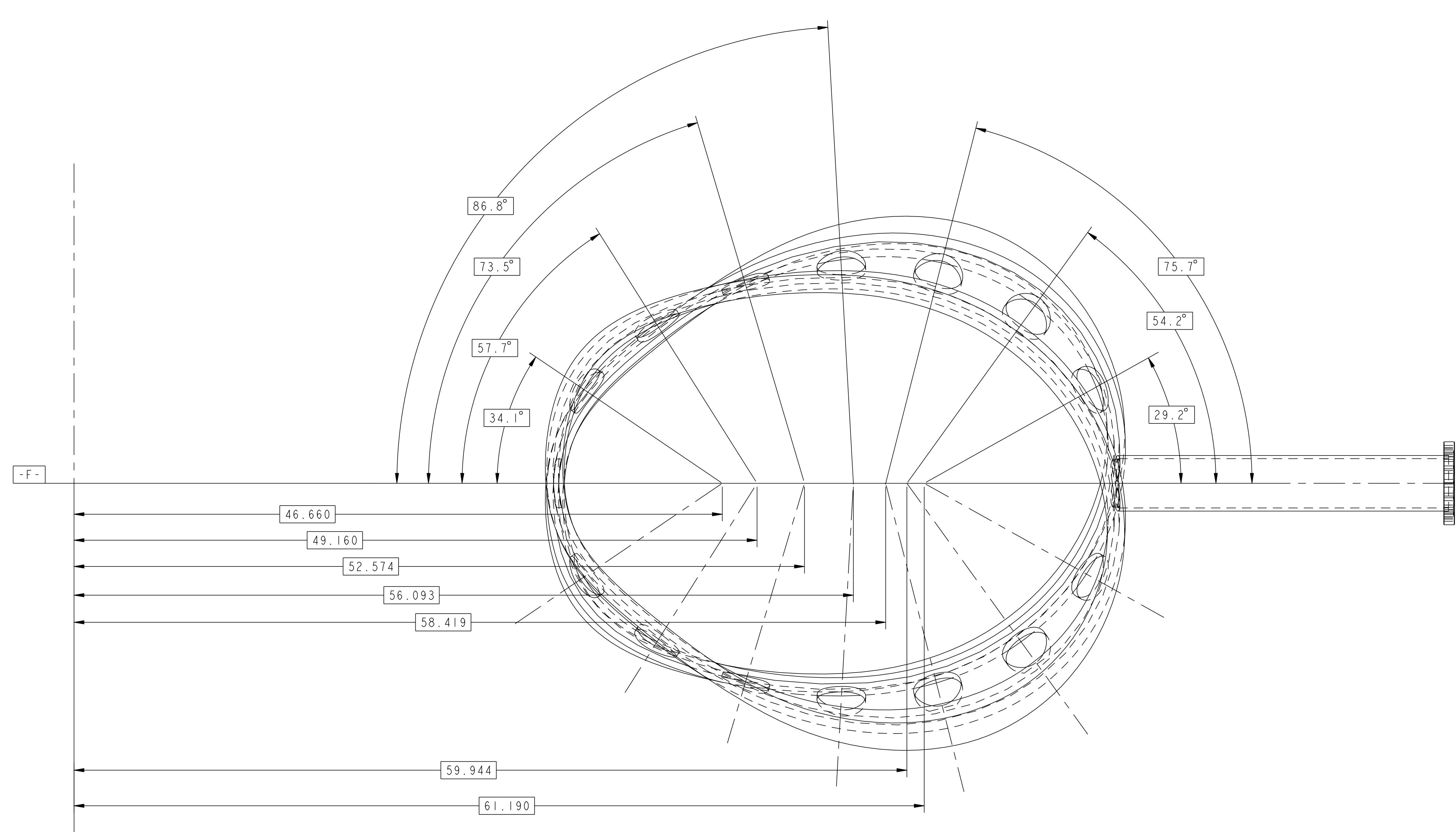
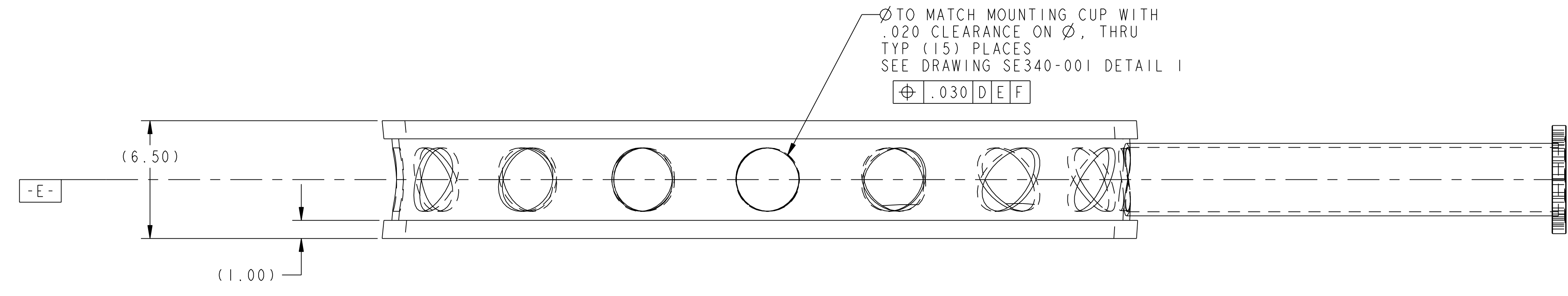


NO.	REVISION	BY	CH	SUP	APPROVED	DATE



**RELEASED FOR
FABRICATION / INSTALLATION**
PPPL Drafting:

RELEASE LEVEL: Fabrication
DWG VERSION NO: 8

WEIGHT
171.1 lbs

MODEL NAME
SE340-002

WELDING ENGINEER

FRT NO.	DRAWING NO.	DESCRIPTION OR IDENTIFICATION	QUANTITY

PARTS LIST

COMPUTER GENERATED DRAWING MANUAL CHANGES NOT PERMITTED Pro E	CENTRAL FILES: UNLESS OTHERWISE SPECIFIED	PRINCETON PLASMA PHYSICS LABORATORY PRINCETON UNIVERSITY	
DO NOT VERIFY INFORMATION BY SCALING DRAWING	DIMENSIONS ARE IN INCHES MACHINE SURFACES BREAK SHARP EDGES .005/.020	NATIONAL COMPACT STELLARATOR EXPERIMENT	
	TOLERANCES NON-CUMULATIVE	DSN: L. MORRIS	2/24/06
	DECIMAL-INCH FRACTIONS	CHK: M. COLE	2/24/06
		ENGR: T. BROWN	2/24/06
		SUPV: J. SIEGEL	2/24/06

DRAWING NO: SE340-002

MHD DIAGNOSTICS
SOFT X-RAY DIAGNOSTIC
V.V. SPACER PREPARATION DETAIL

SHEET 1 OF 1 REV 0

NCSX-SE340-002