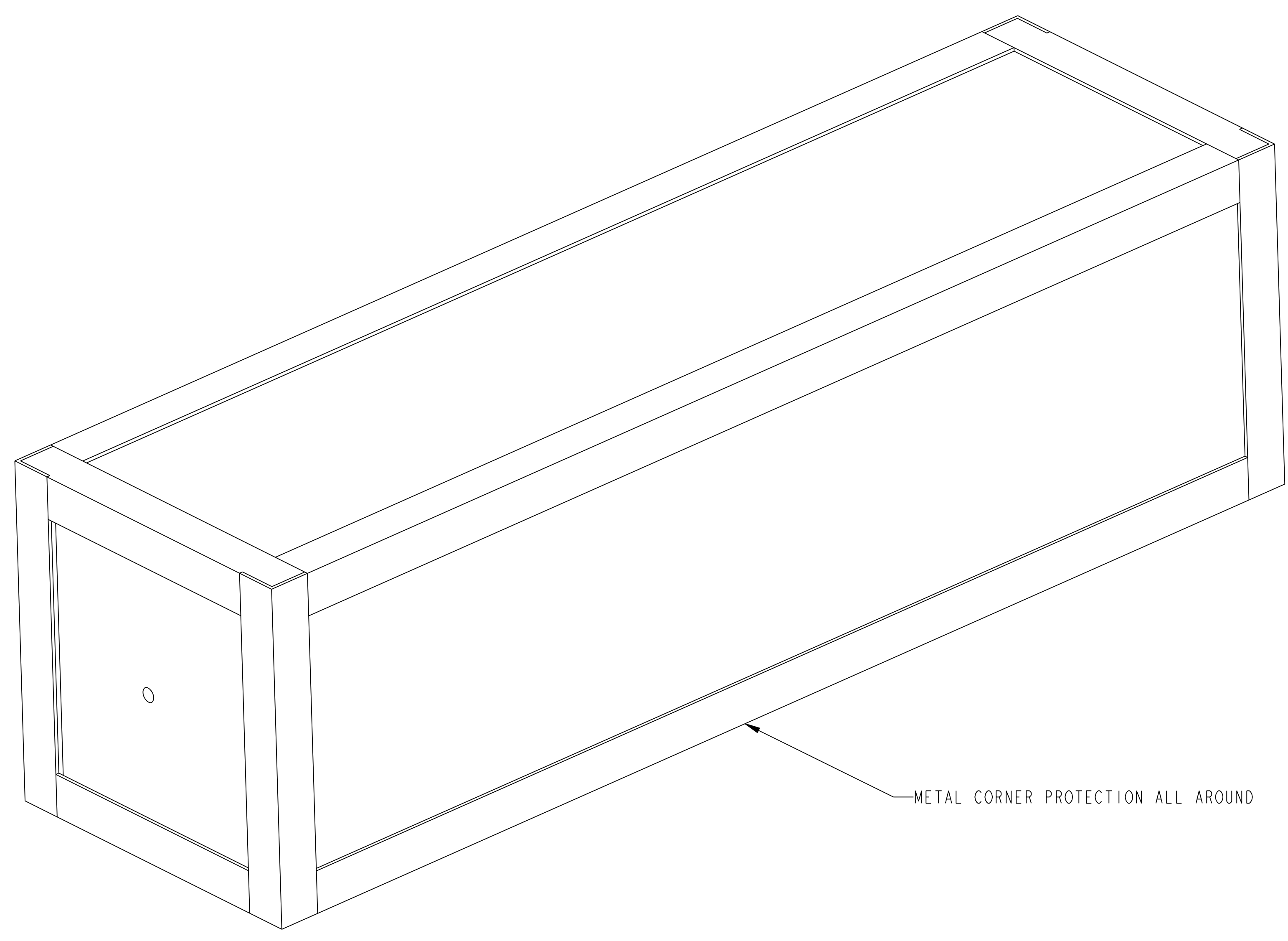
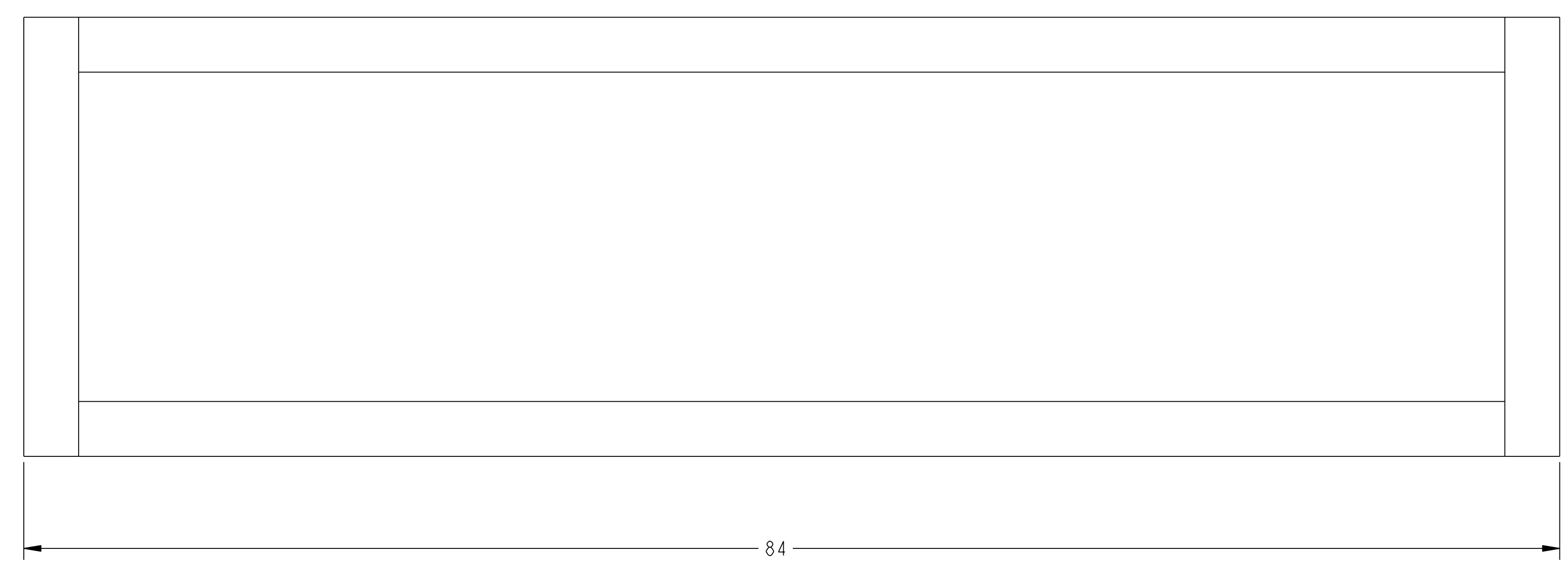
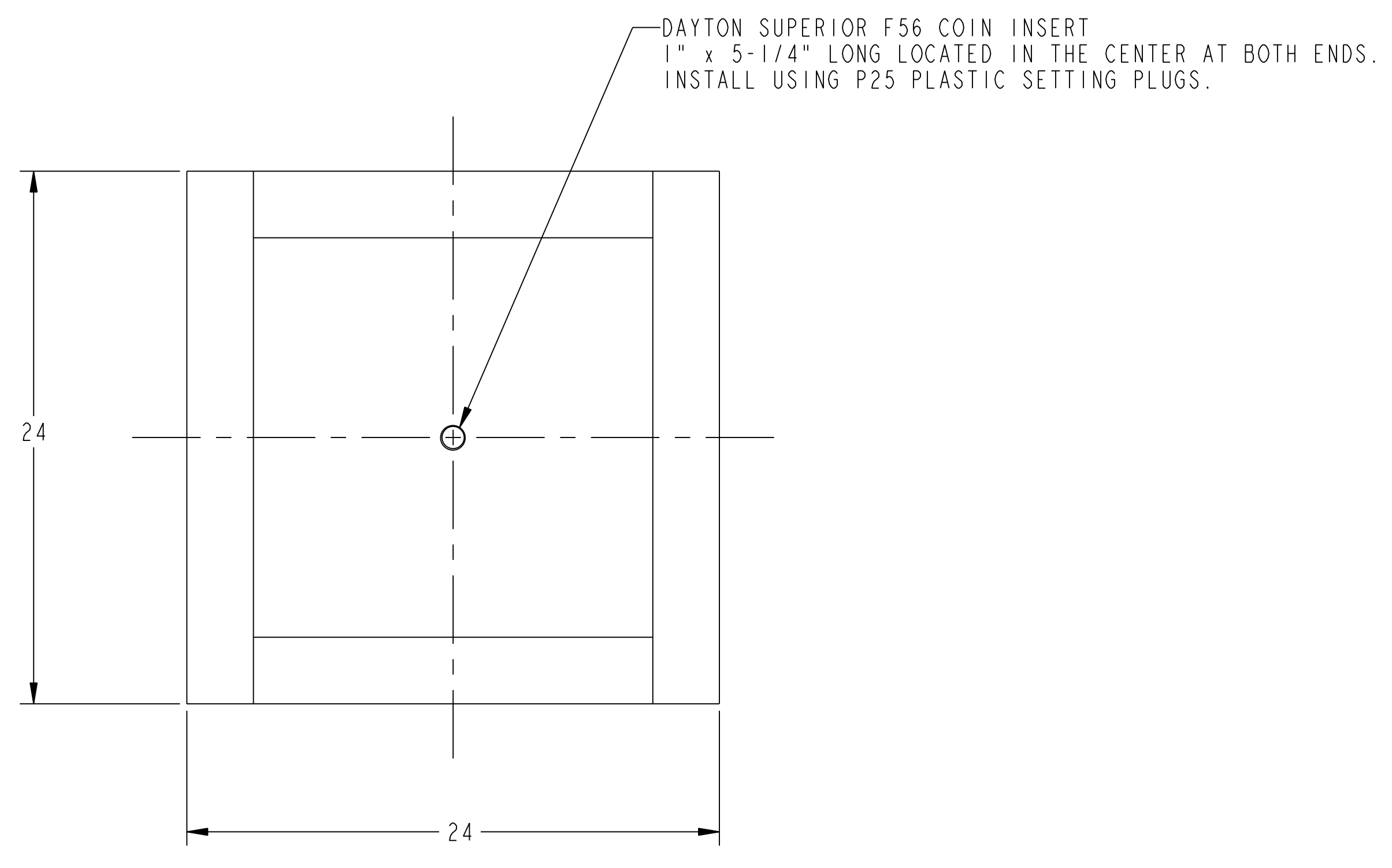


NO.	REVISION	BY	CH	SUP	APPROVED	DATE



METAL CORNER PROTECTION ALL AROUND

CONCRETE BLOCK WITH 3° ANGLE FOR EDGE PROTECTION



**RELEASED FOR FABRICATION / INSTALLATION**  
PPPL Drafting

**RELEASE LEVEL: Fabrication**  
**DWG VERSION NO: 0**

**WEIGHT**  
705.1 lbs

**MODEL NAME**  
SE780-012

COMPUTER GENERATED DRAWING MANUAL CHANGES NOT PERMITTED Pro E	CENTRAL FILES: UNLESS OTHERWISE SPECIFIED	PRINCETON PLASMA PHYSICS LABORATORY PRINCETON UNIVERSITY <b>NATIONAL COMPACT STELLARATOR EXPERIMENT</b>	
DO NOT VERIFY INFORMATION BY SCALING DRAWING	DIMENSIONS ARE IN INCHES MACHINE SURFACES BREAK SHARP EDGES .005/.020	MACHINE ASSEMBLY MEASUREMENT SYSTEMS REWORKED SHIELD BLOCK for METROLOGY STAND	
NEXT ASSEMBLY	TOLERANCES NON-CUMULATIVE DECIMAL-INCH FRACTIONS .X ±.000 0°-120° ±.010 .XX ±.000 120°-120° ±.010 .XXX ±.005 120°-120° ±.010 ANGULAR ±.0°-15° OVER 120° ±.010	DSN: R. UPKAVAGE CHK: W. SANDS ENGR: M. VIOLA SUPV: J. SIEGEL	4/15/08 4/15/08 4/15/08 4/15/08
		DRAWING NO: <b>SE780-012</b>	SHEET 1 OF 1 REV 0.1

NCSX-SE780-012