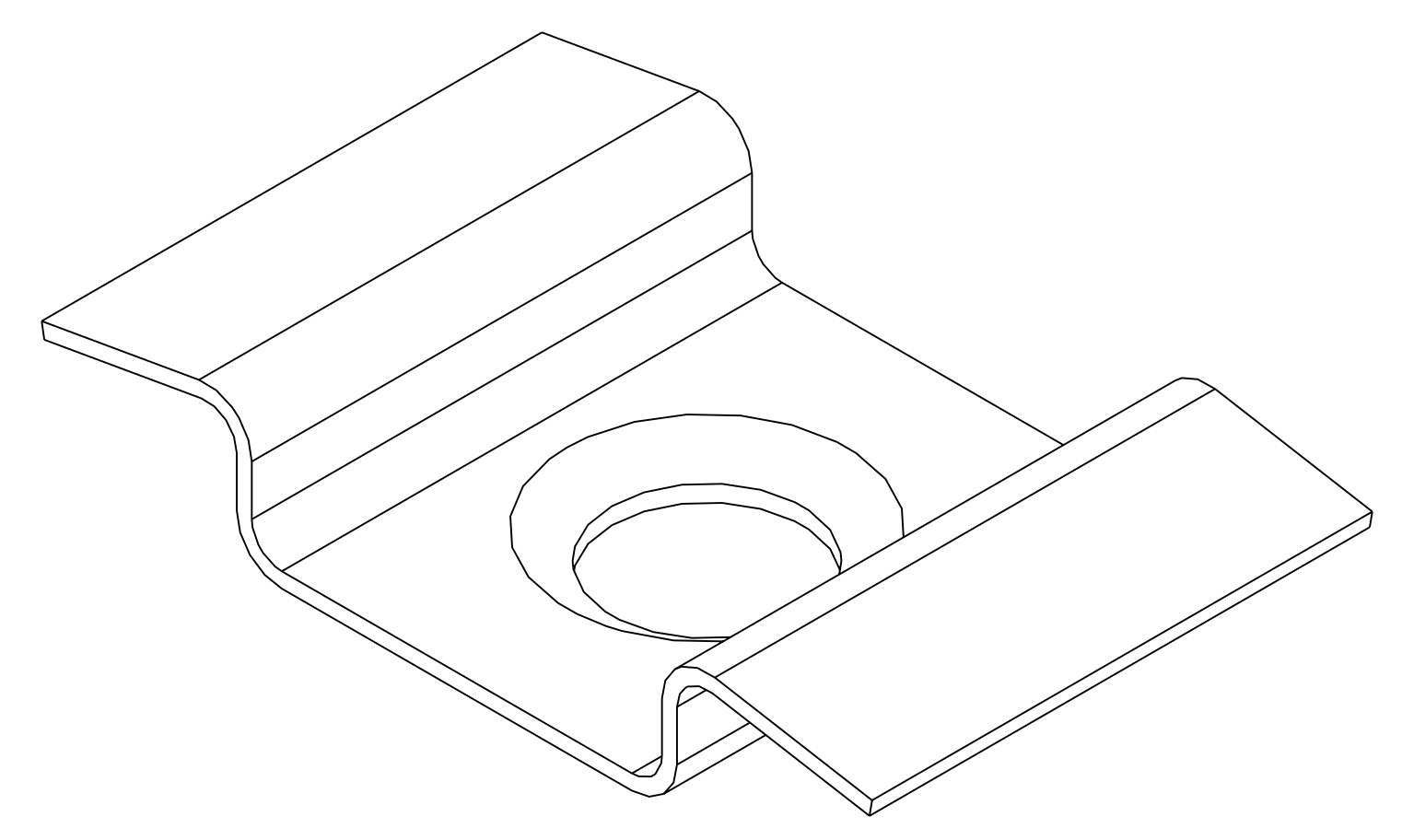
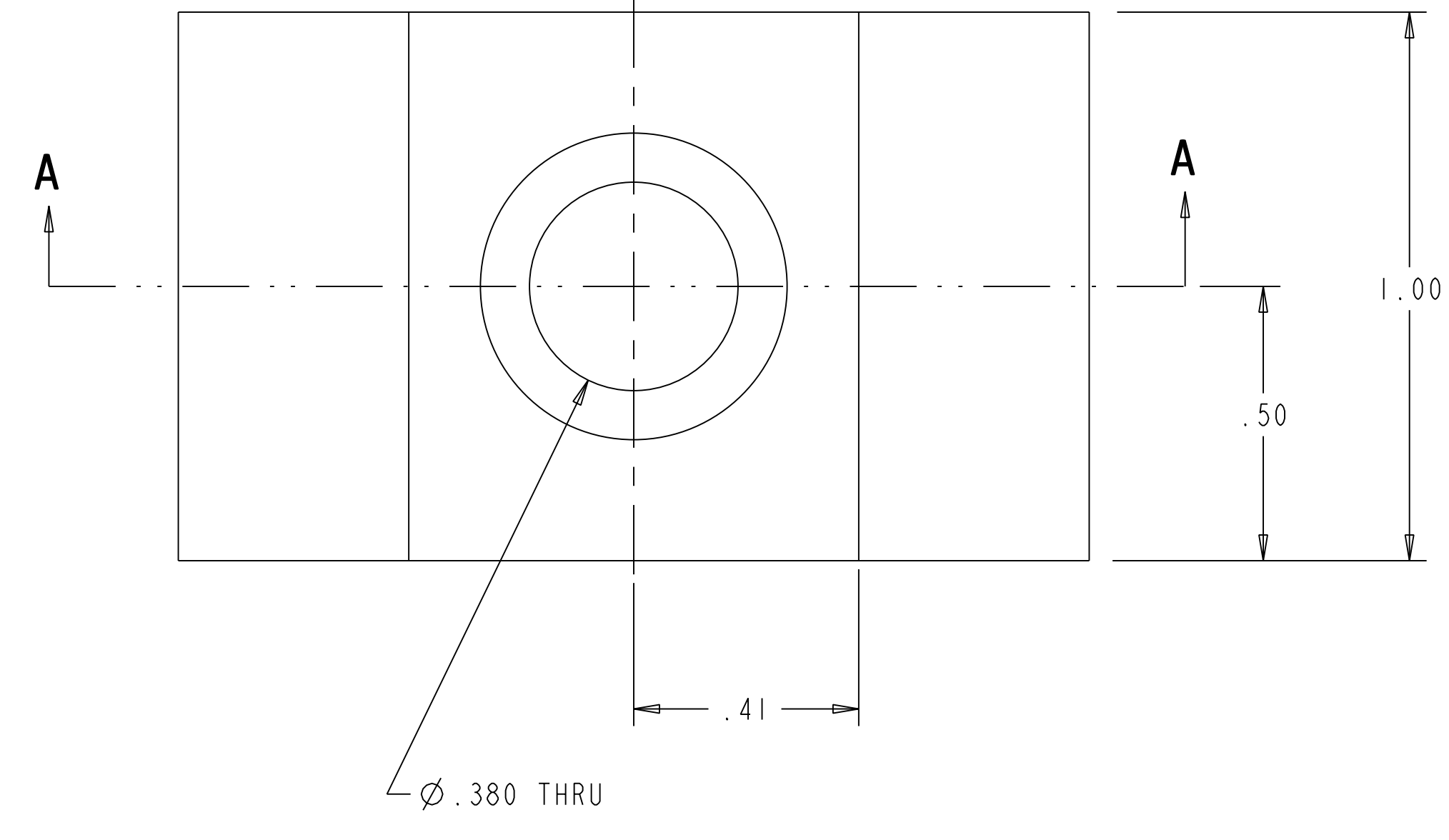
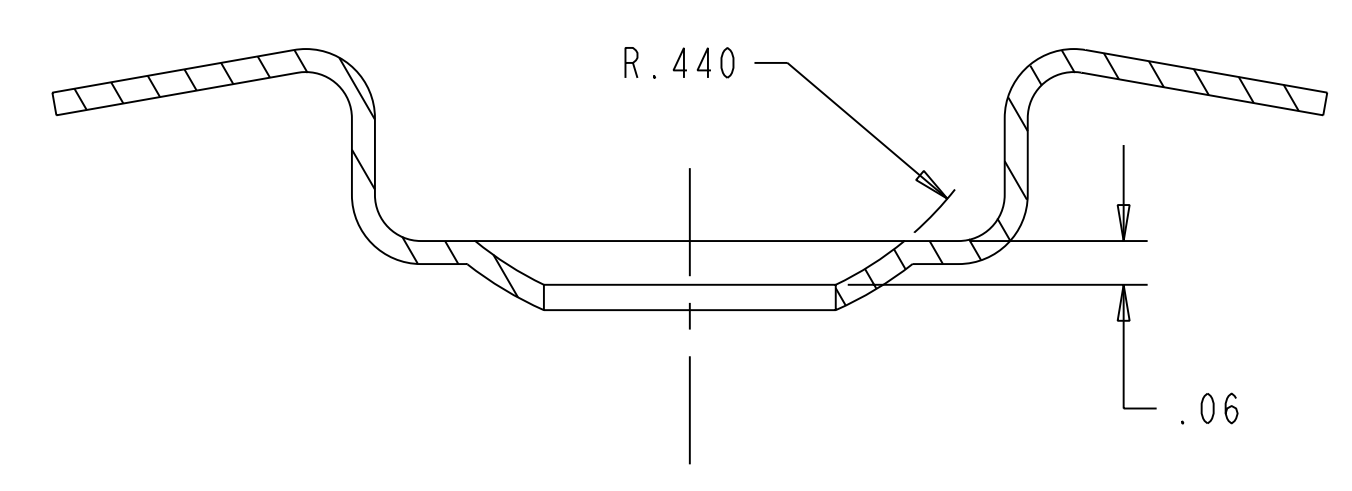


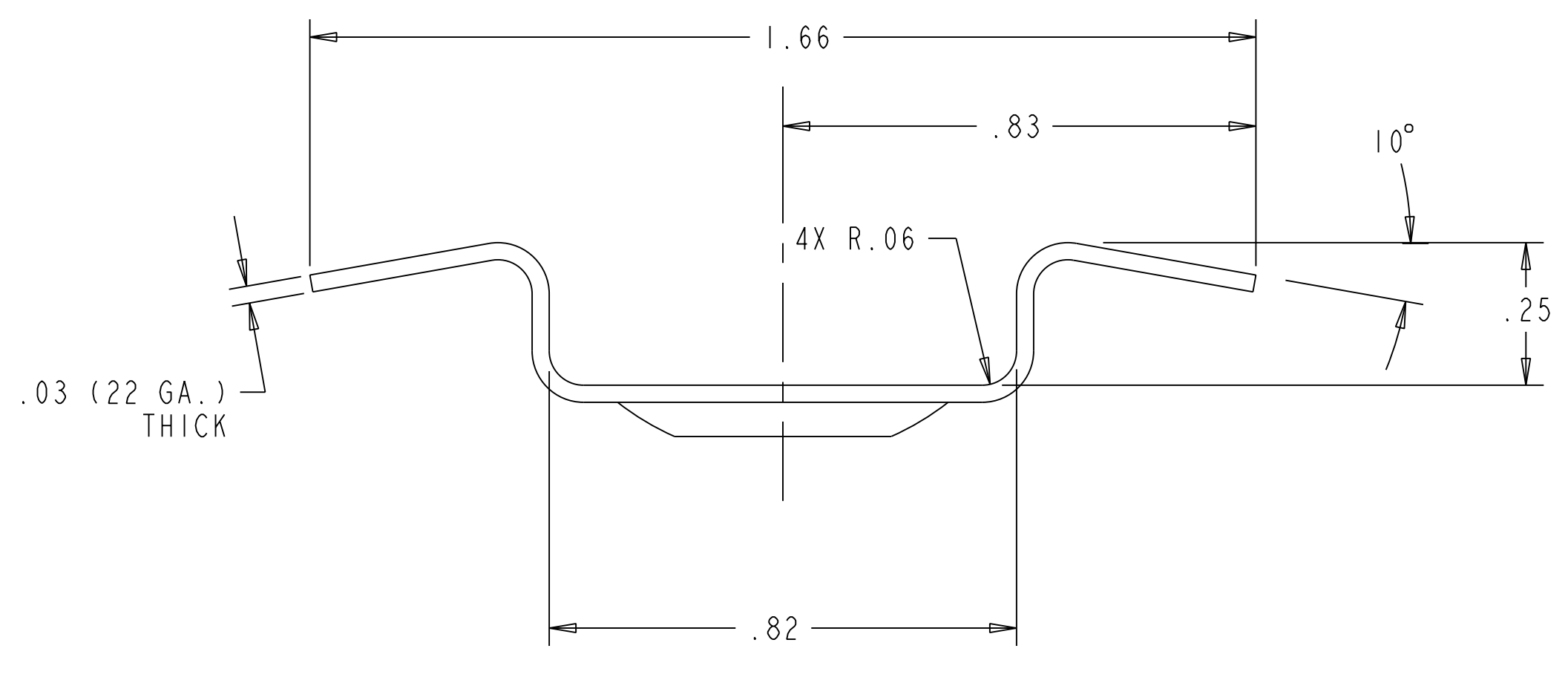
- NOTES
1. INTERPRET DIMENSIONS AND TOLERANCES PER ANSI Y14.5M.
 2. DIMENSIONS ARE IN INCHES.



ISOMETRIC VIEW



SECTION A-A



-1 STRAP
SCALE 4.00

**RELEASED FOR
FABRICATION / INSTALLATION**
PPPL Drafting:

AR	SE 123-050	-1	STRAP	316L SS	ASTM A240	I
	CAGE CODE	PART OR IDENTIFYING NO	NOMENCLATURE OR DESCRIPTION	MATERIAL	SPECIFICATION	FIND NO
		NEXT ASSEMBLY	PARTS LIST			

NO REPRESENTATION OR WARRANTY, EXPRESSED OR IMPLIED, IS MADE AS TO THE ACCURACY, COMPLETENESS OR USEFULNESS OF THE INFORMATION OR STATEMENTS CONTAINED IN THESE DRAWINGS, OR THAT THE USE OR DISCLOSURE OF ANY INFORMATION, APPARATUS, METHOD OR PROCESS DISCLOSED IN THESE DRAWINGS MAY NOT INFRINGE PRIVATE RIGHTS OF OTHERS. NO LIABILITY IS ASSUMED WITH RESPECT TO THE USE OF, OR FOR DAMAGES RESULTING FROM THE USE OF, ANY INFORMATION, APPARATUS, METHOD OR PROCESS DISCLOSED IN THESE DRAWINGS. DRAWINGS MADE AVAILABLE FOR INFORMATION TO BIDDER ARE NOT TO BE USED FOR OTHER PURPOSES, AND ARE TO BE RETURNED UPON REQUEST OF THE FORWARDING CONTRACTOR.

P THIS DRAWING PRODUCED ON PRO-ENGINEER

SCALE NOTED	DES P GORANSON	4-22-05
TOLERANCES UNLESS OTHERWISE SPECIFIED	DRW G MCGINNIS	4-22-05
FRACTIONS	CHK G. H. JONES	05-04-05
XX DECIMALS ±.01	SECT :	
XXX DECIMALS ±.005	DEPT :	
ANGLES ±0°15'	PE :	
BREAK SHARP EDGES OR MAX FINISH .125 UNLESS OTHERWISE SPECIFIED	CR :	
	PJ :	
	RD :	
	PPPL DRFT :	
	VERSION NO.	0
	PLANT	ORNL
	BLDG	5700
	FL	3
	SHT	1
	OF	1
	TYPE	S
	CLASS	U
	RELEASE LEVEL	
	Fabrication	
	SE 123-054	
	REV	1

UT-BATTELLE	Oak Ridge National Laboratory managed for the DEPARTMENT OF ENERGY under U.S. GOVERNMENT contract DE-AC05-00OR22725 UT-BATTELLE, LLC, Oak Ridge, Tennessee
PROJECT NAME NATIONAL COMPACT STELLARATOR EXPERIMENT	
VACUUM VESSEL HEATING/COOLING STRAP DETAIL	
VERSION NO.	0
PLANT	ORNL
BLDG	5700
FL	3
SHT	1
OF	1
TYPE	S
CLASS	U
RELEASE LEVEL	
Fabrication	
SE 123-054	
REV	1