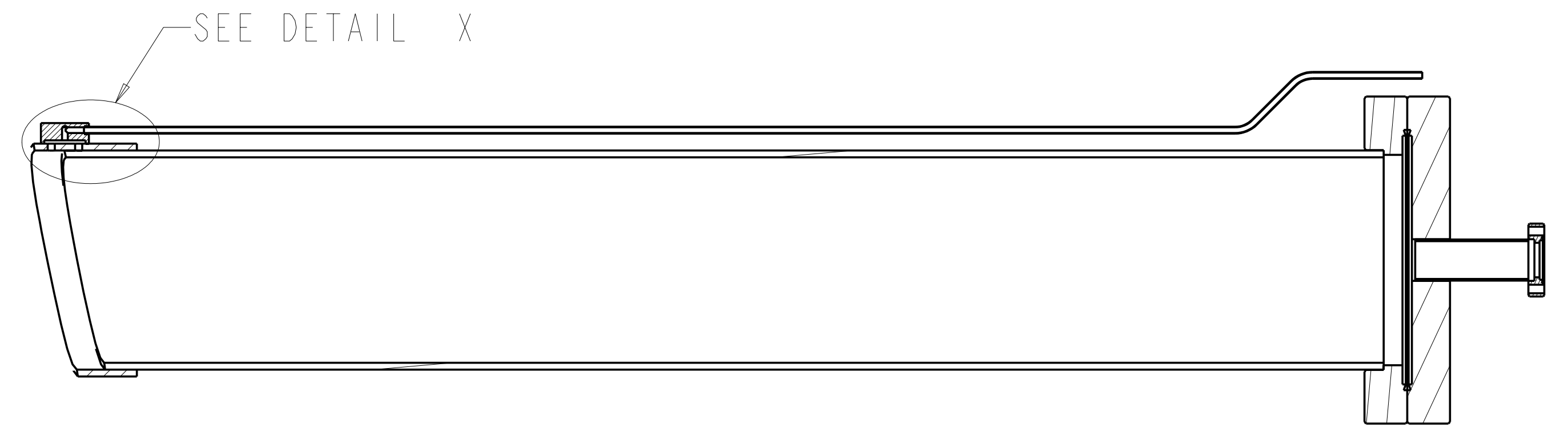
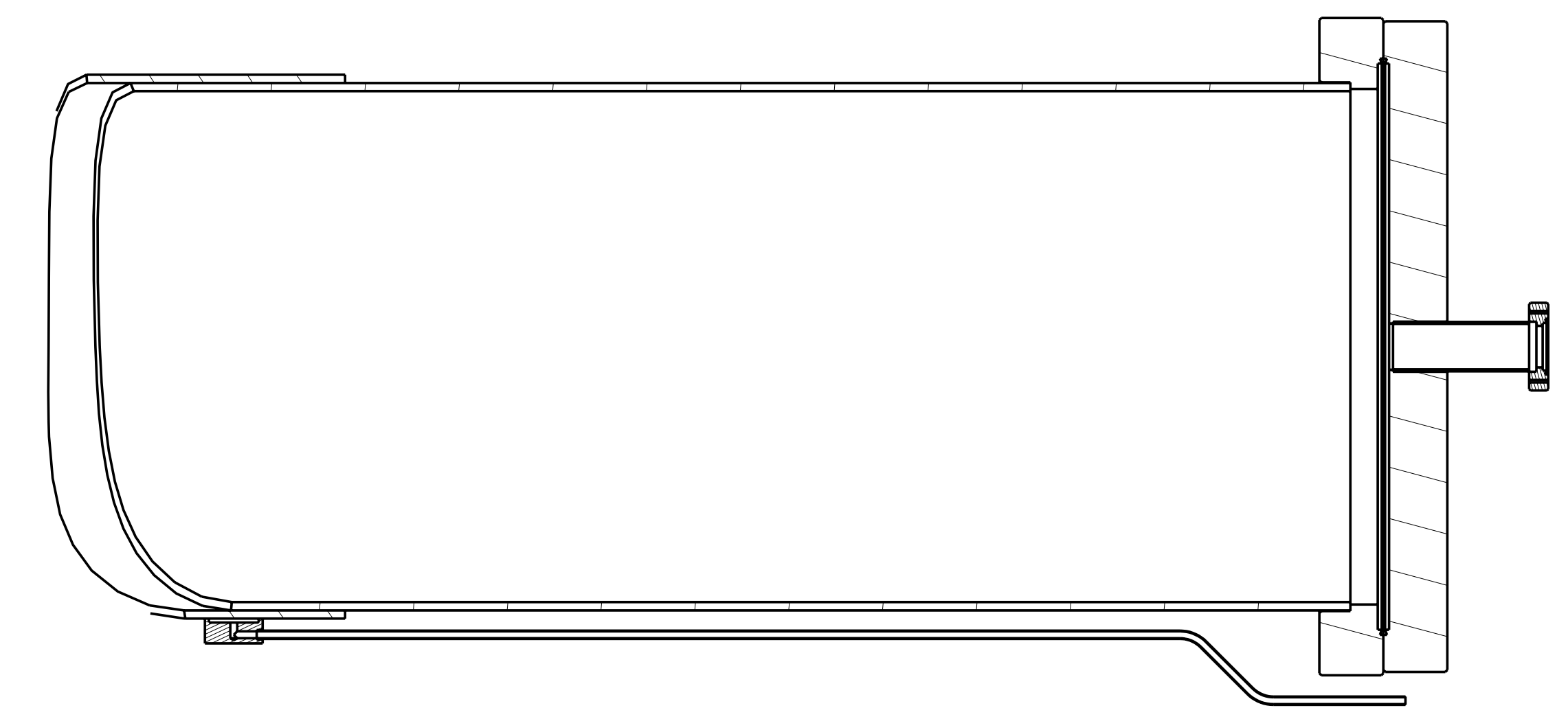


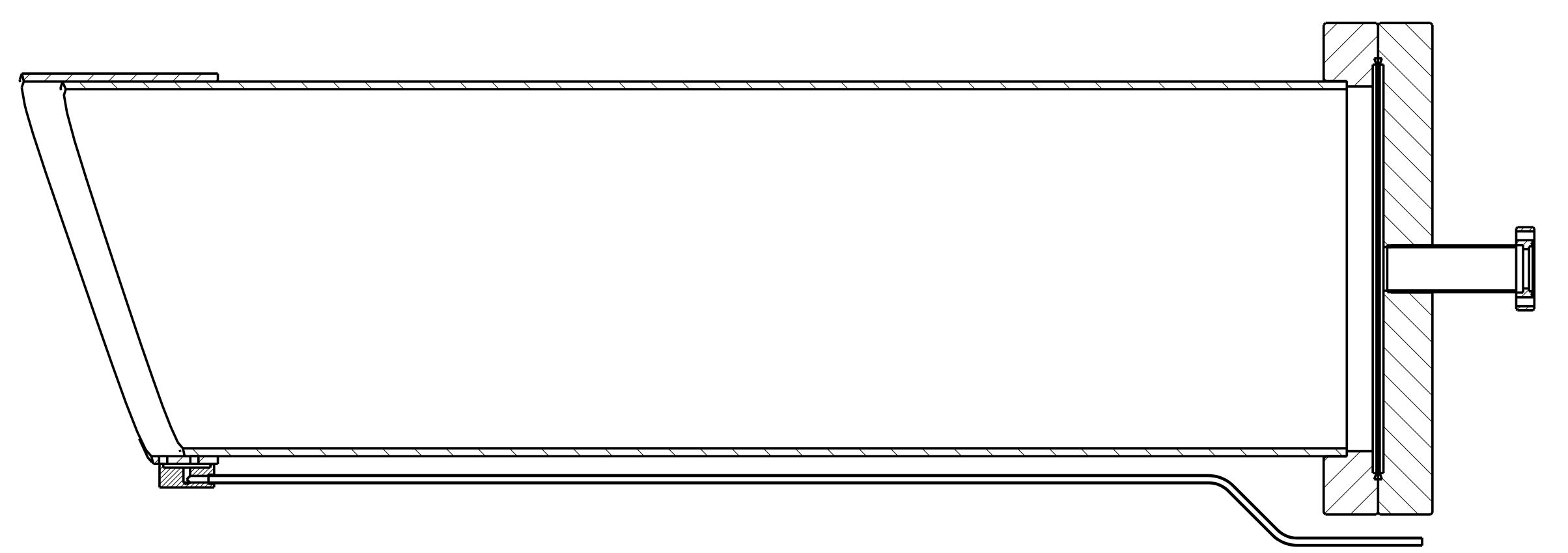
DETAIL X  
 SCALE 1.000



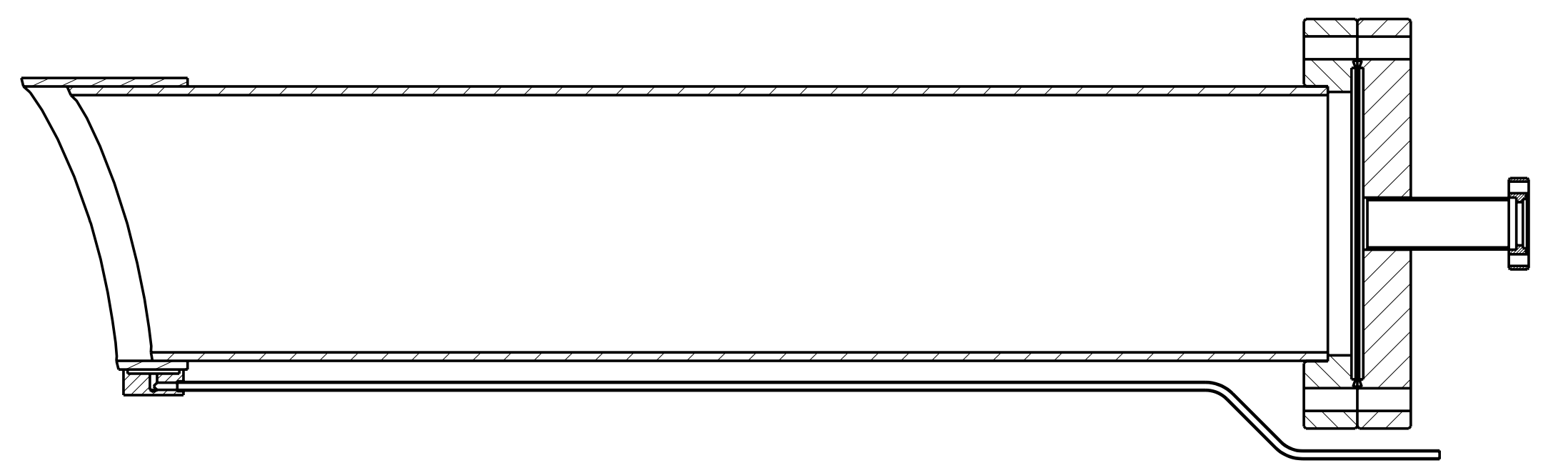
PORT 2  
 SECTION F-F



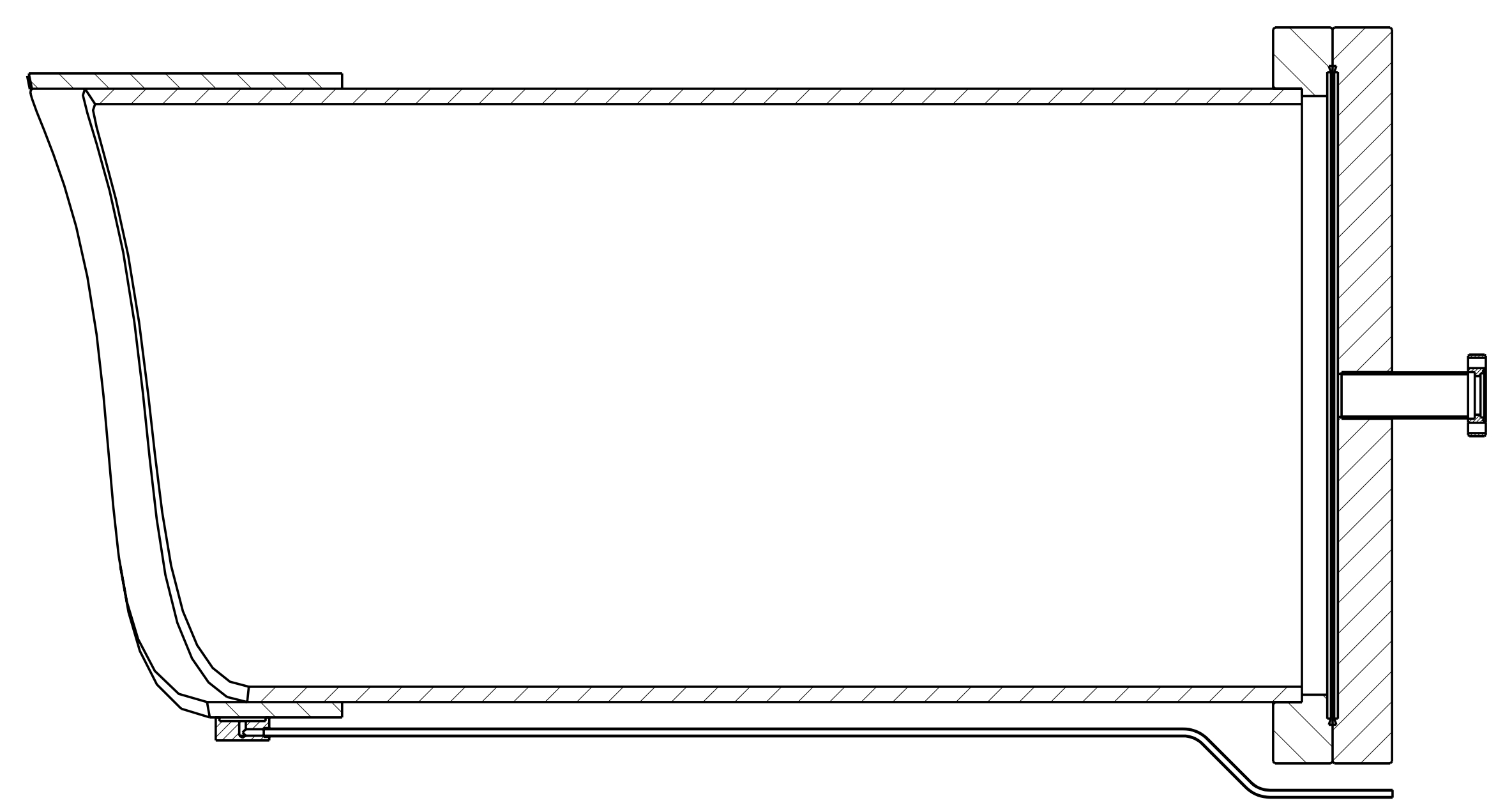
PORT 7  
 SECTION E-E



PORT 5  
 SECTION C-C



PORT 8  
 SECTION L-L



PORT 6  
 SECTION K-K

CAGE CODE	PART OR IDENTIFYING NO	NOMENCLATURE OR DESCRIPTION	MATERIAL	SPECIFICATION	FIND NO
		PORT 8 WELDMNT			5
		PORT 7 WELDMNT			4
		PORT 6 WELDMNT			3
		PORT 5 WELDMNT			2
		PORT 2 WELDMNT			1

← NEXT ASSEMBLY

PARTS LIST

NO REPRESENTATION OR WARRANTY, EXPRESSED OR IMPLIED, IS MADE AS TO THE ACCURACY, COMPLETENESS OR USEFULNESS OF THE INFORMATION OR STATEMENTS CONTAINED IN THESE DRAWINGS, OR THAT THE USE OR DISCLOSURE OF ANY INFORMATION, APPARATUS, METHOD OR PROCESS DISCLOSED IN THESE DRAWINGS MAY NOT INFRINGE PRIVATE RIGHTS OF OTHERS. NO LIABILITY IS ASSUMED WITH RESPECT TO THE USE OF, OR FOR DAMAGES RESULTING FROM THE USE OF, ANY INFORMATION, APPARATUS, METHOD OR PROCESS DISCLOSED IN THESE DRAWINGS. DRAWINGS MADE AVAILABLE FOR INFORMATION TO BIDDER ARE NOT TO BE USED FOR OTHER PURPOSES, AND ARE TO BE RETURNED UPON REQUEST OF THE FORWARDING CONTRACTOR.

**P** THIS DRAWING PRODUCED ON PRO-ENGINEER

REV	DESCRIPTION	BY	DATE	CHK	DEPT	DATE	PE	REQ	DATE	DRNL	DOE	DATE
	REVISION OR ISSUE PURPOSE											

SCALE NOTED

TOLERANCES UNLESS OTHERWISE SPECIFIED	CHK	8/03
FRACTIONS	SECT	
XX DECIMALS ± .01	DEPT	
XXX DECIMALS ± .005	PE	
ANGLES ±0°15'	CR	
BREAK SHARP EDGES .06 MAX	PJ	
FINISH .125 UNLESS OTHERWISE SPECIFIED	RED	

PPPL DRFT

Oak Ridge National Laboratory  
 managed for the DEPARTMENT OF ENERGY under  
 U.S. GOVERNMENT contract DE-AC05-00OR22725  
 UT-BATTELLE, LLC. Oak Ridge, Tennessee

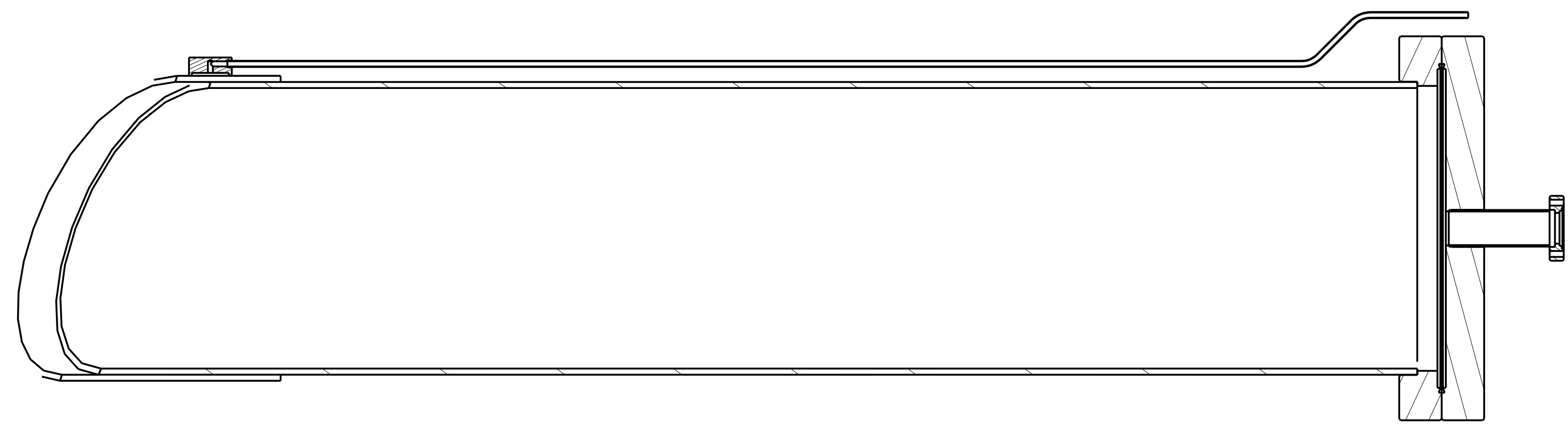
**UT-BATTELLE**

NATIONAL COMPACT STELLARATOR EXPERIMENT

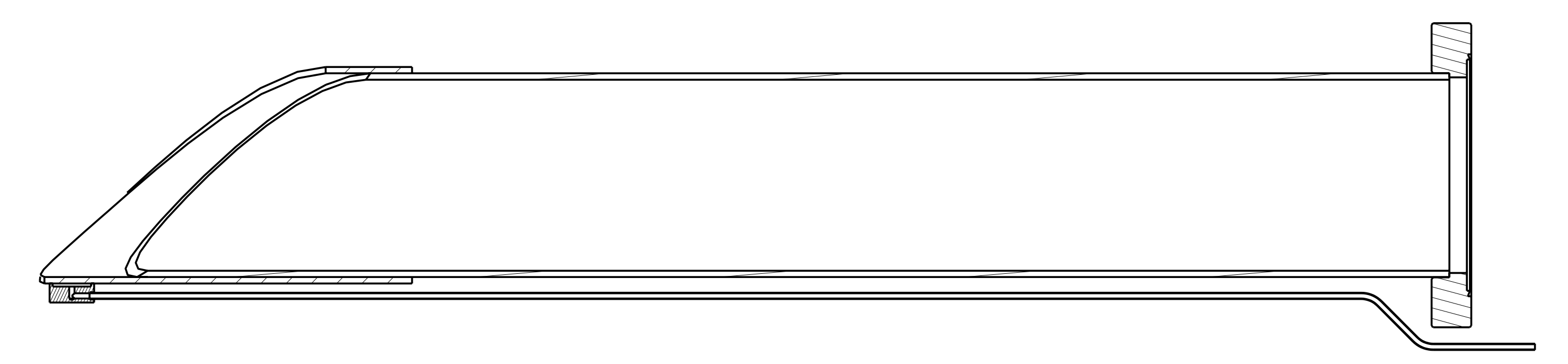
VACUUM VESSEL  
 PORT EXTENSION  
 WELDMNT

VERSION NO.	PLANT	BLDG	FL	SHT OF	TYPE	CLASS
0+	XX	XX	XX	1 3	XX	U
RELEASE LEVEL	SEI20-005					REV
WIP						A

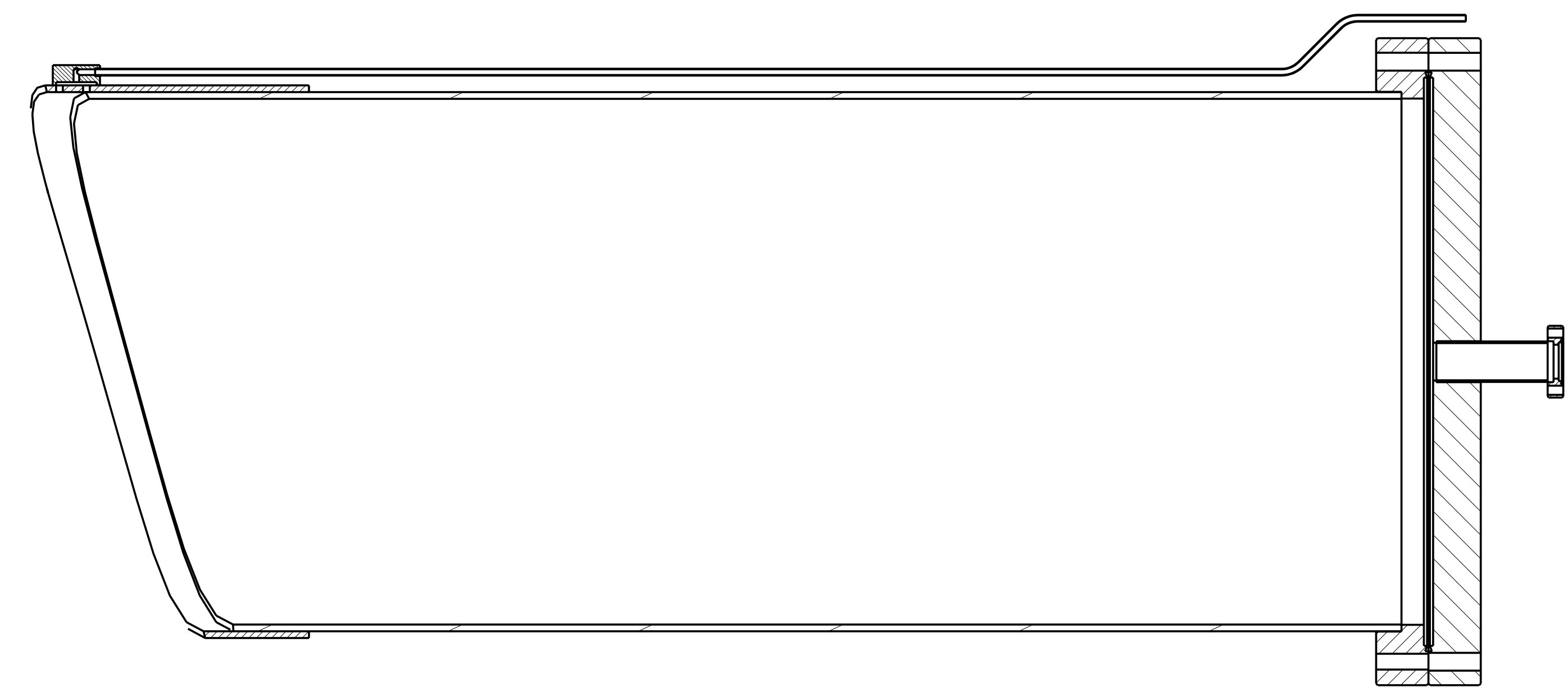
SEI20-005



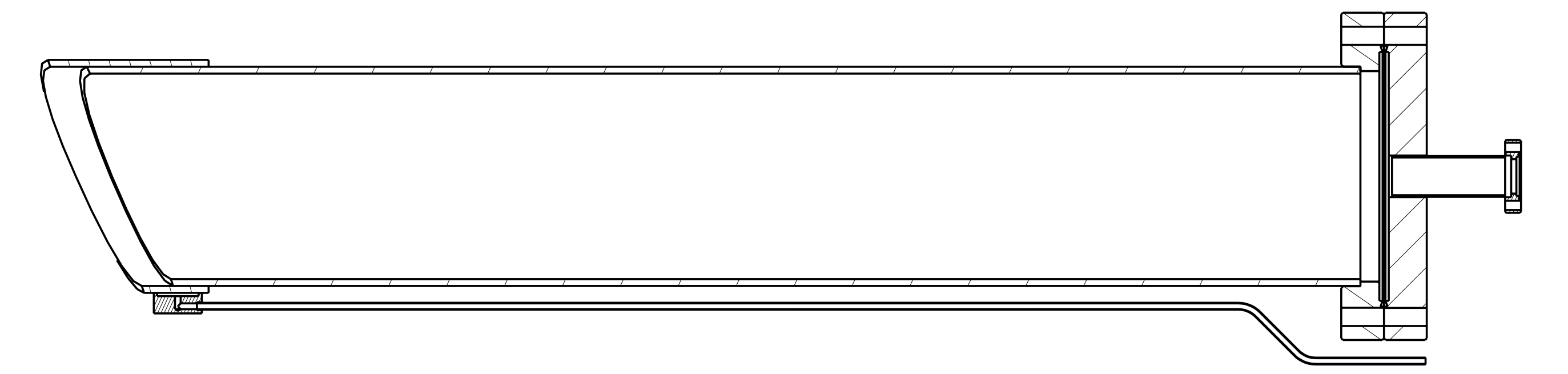
PORT 9  
SECTION M-M



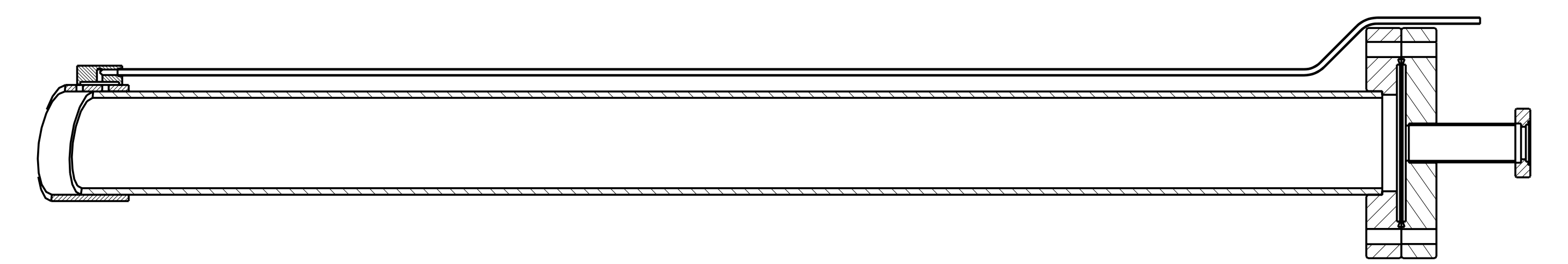
PORT 11  
SECTION N-N



PORT 10  
SECTION D-D



PORT 15  
SECTION O-O

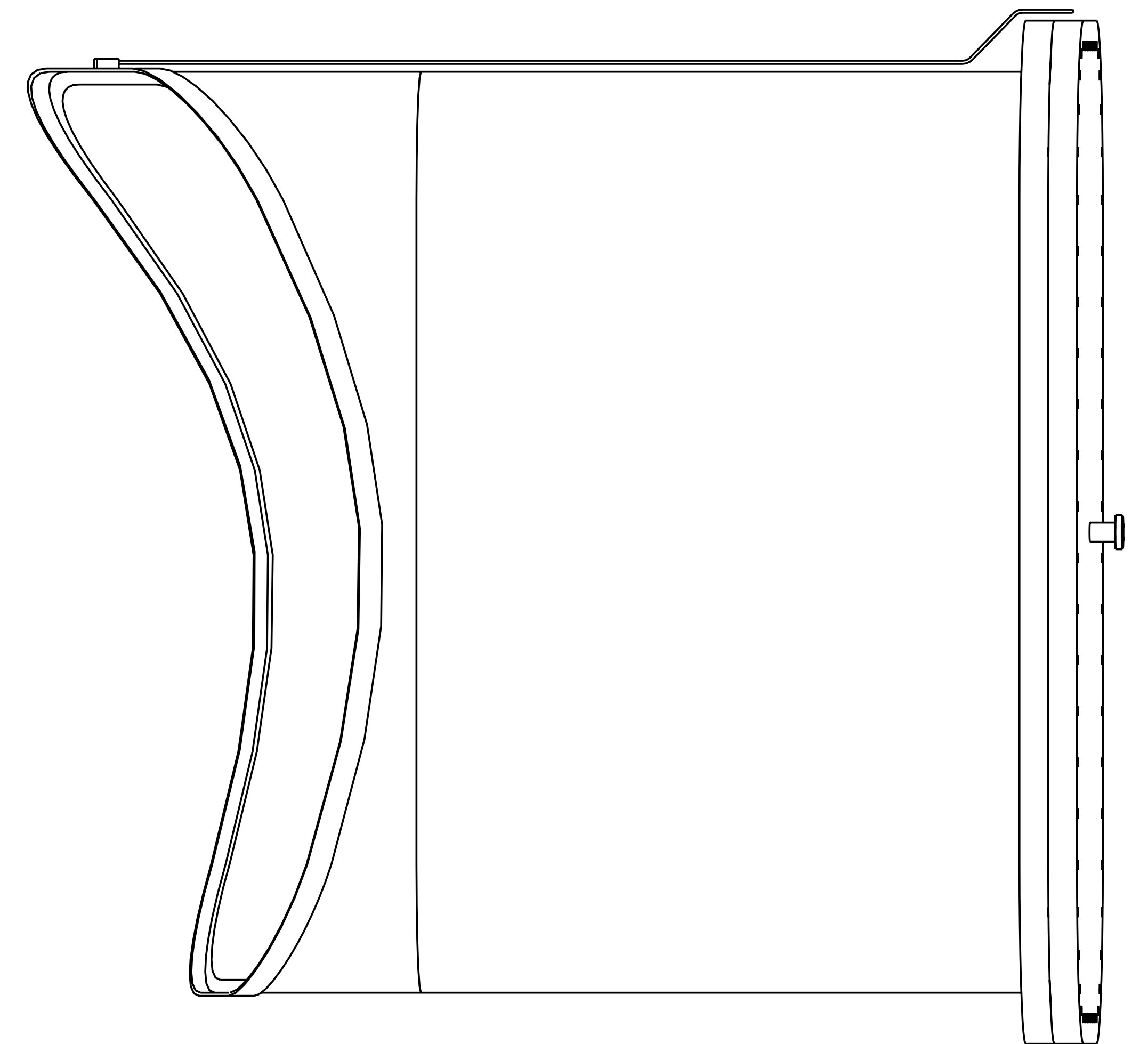
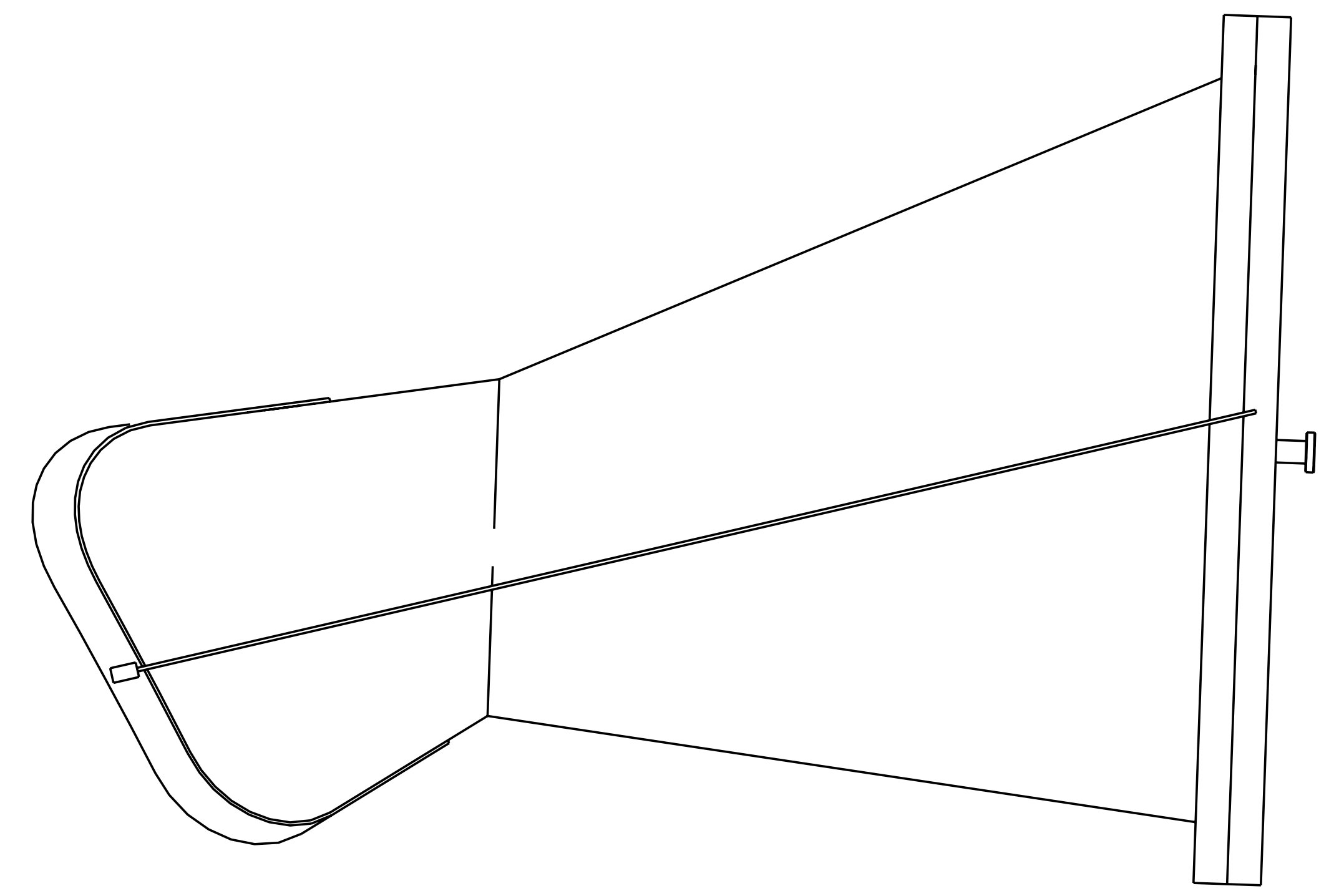


PORT 16  
SECTION G-G

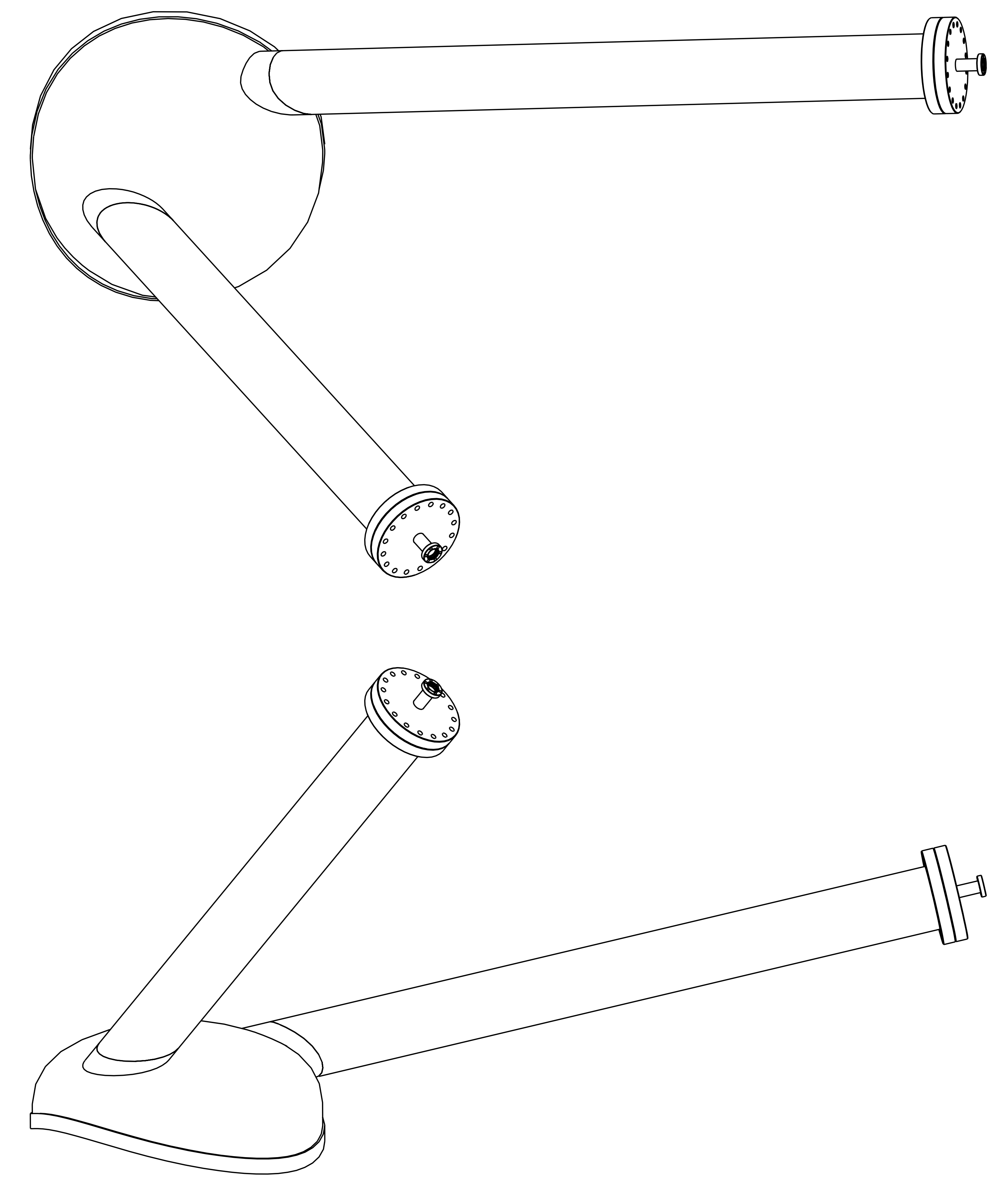
Oak Ridge National Laboratory managed for the DEPARTMENT OF ENERGY under U.S. GOVERNMENT contract DE-AC05-00OR22725 UT-BATTELLE, LLC, Oak Ridge, Tennessee									
<b>UT-BATTELLE</b>									
NATIONAL COMPACT STELLARATOR EXPERIMENT									
VACUUM VESSEL PORT EXTENSION WELDMENT									
VERSION NO.	PLANT	BLDG	FL	SHT OF	TYPE	CLASS			
90+	XX	XX	XX	2 3	XX	U			
RELEASE LEVEL							SE120-005		REV
WIP									A

H  
G  
F  
E  
D  
C  
B  
A

SE120-005



PORT 4



PORT 17 & 18

Oak Ridge National Laboratory managed for the DEPARTMENT OF ENERGY under U.S. GOVERNMENT contract DE-AC05-00OR22725 UT-BATTELLE, LLC, Oak Ridge, Tennessee						
<b>UT-BATTELLE</b>						
NATIONAL COMPACT STELLARATOR EXPERIMENT						
VACUUM VESSEL PORT EXTENSION WELDMENT						
VERSION NO.	PLANT	BLDG	FL	SHT OF	TYPE	CLASS
90+	XX	XX	XX	3 3	XX	U
RELEASE LEVEL						REV
WIP		SE120-005				A

SE120-005