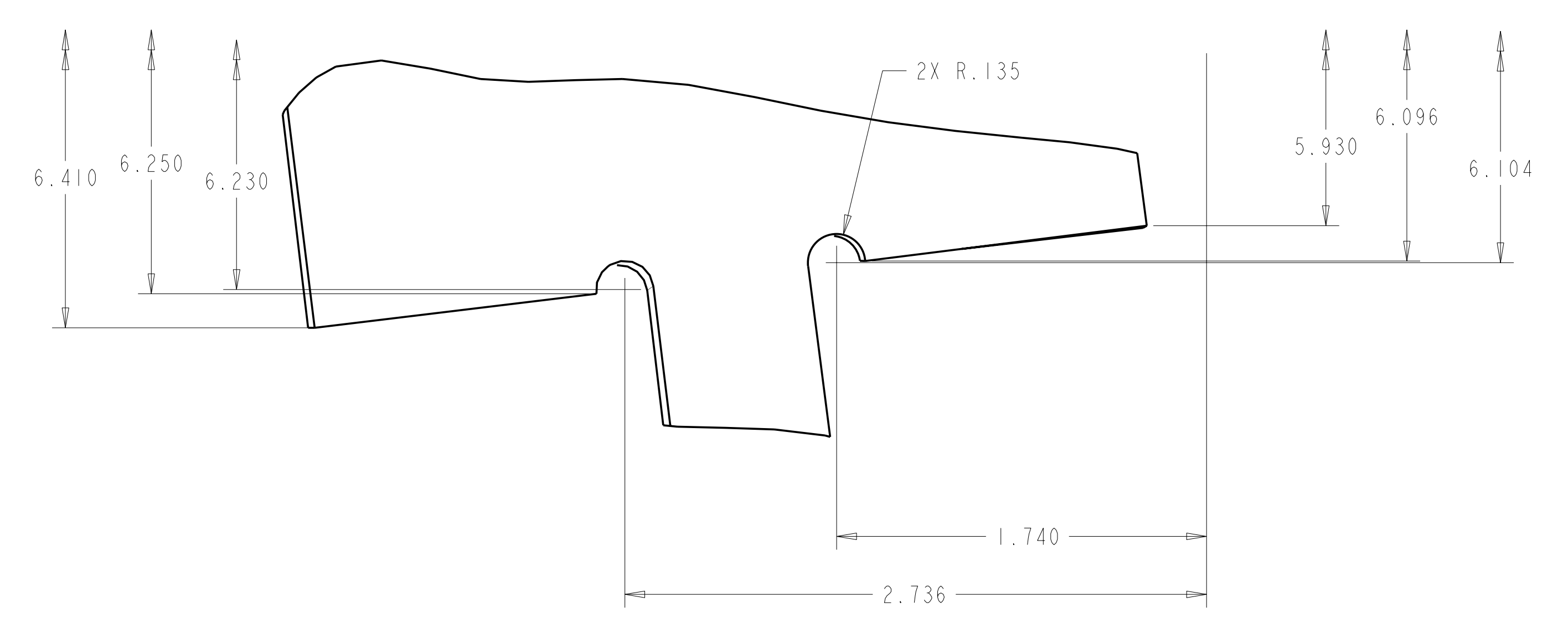
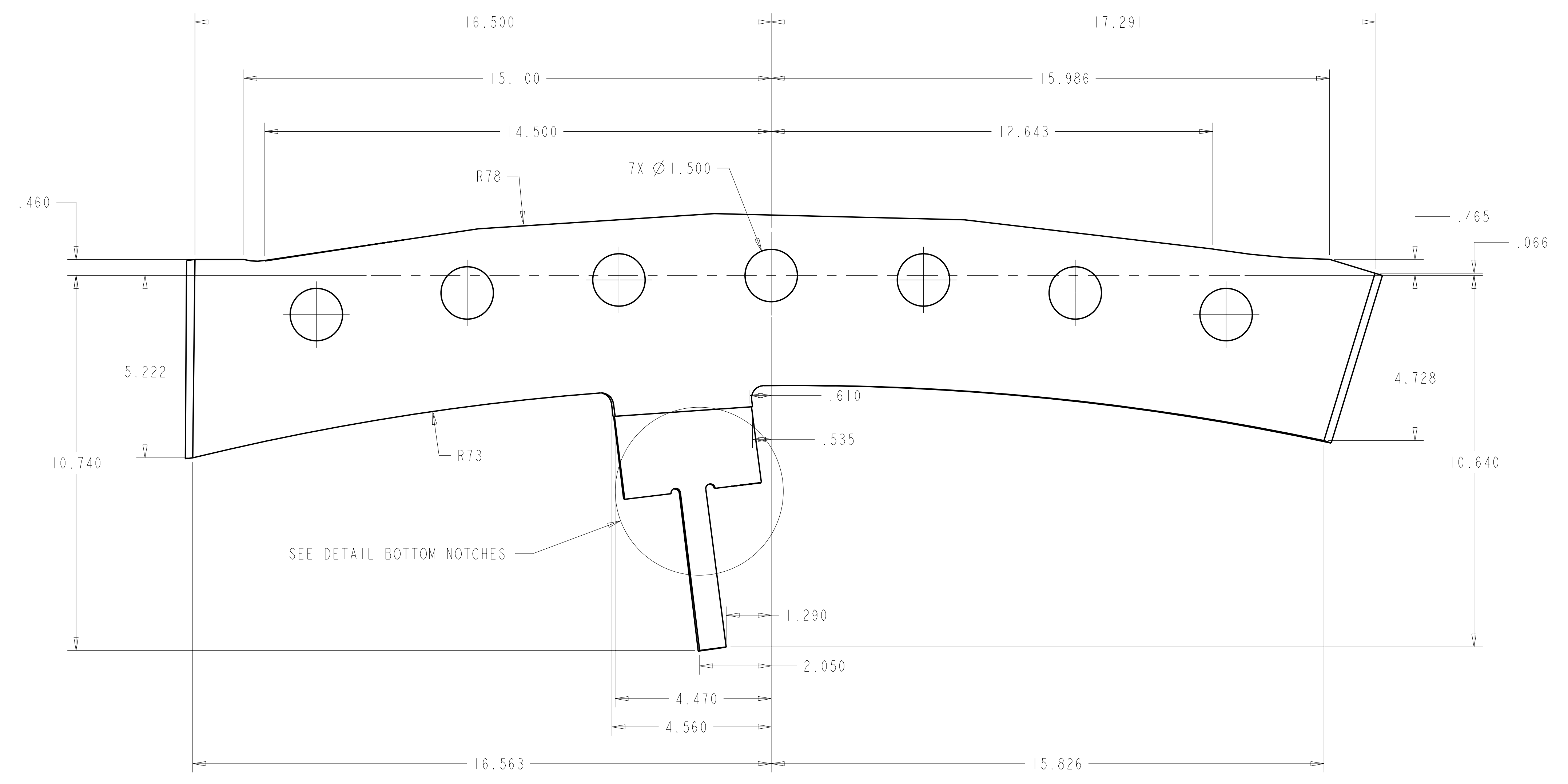
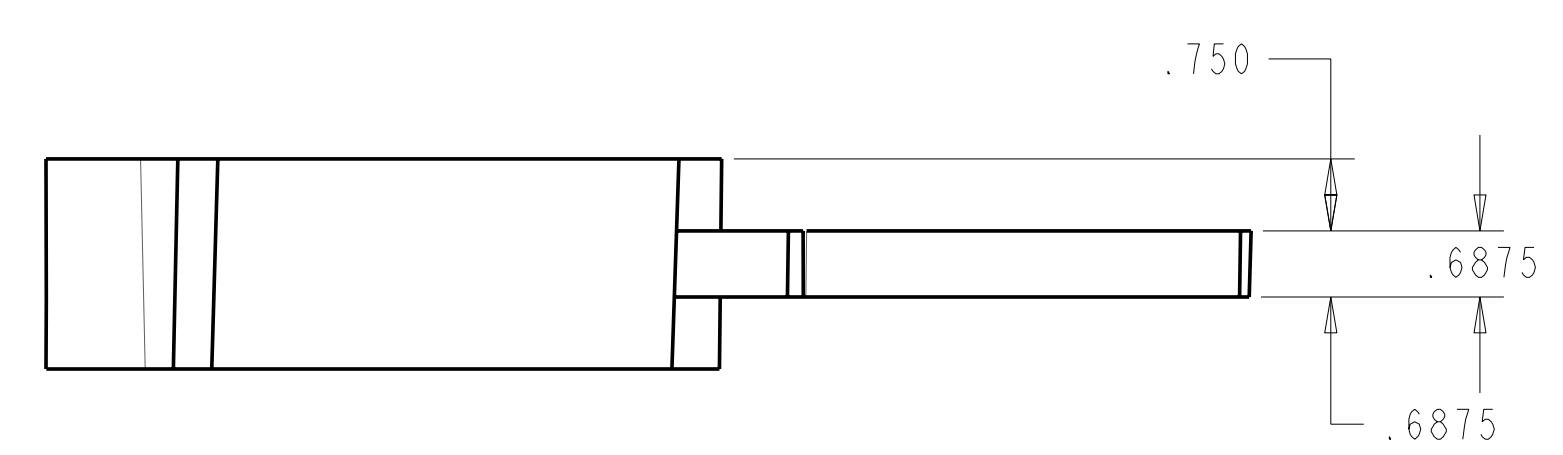
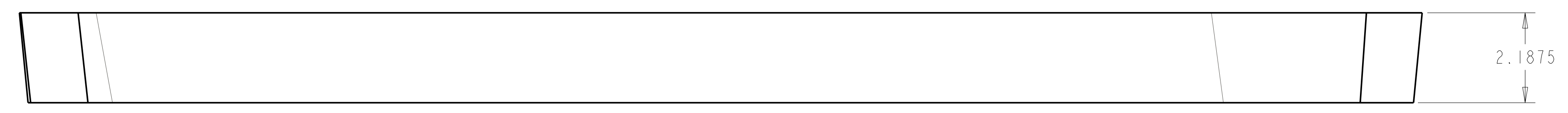
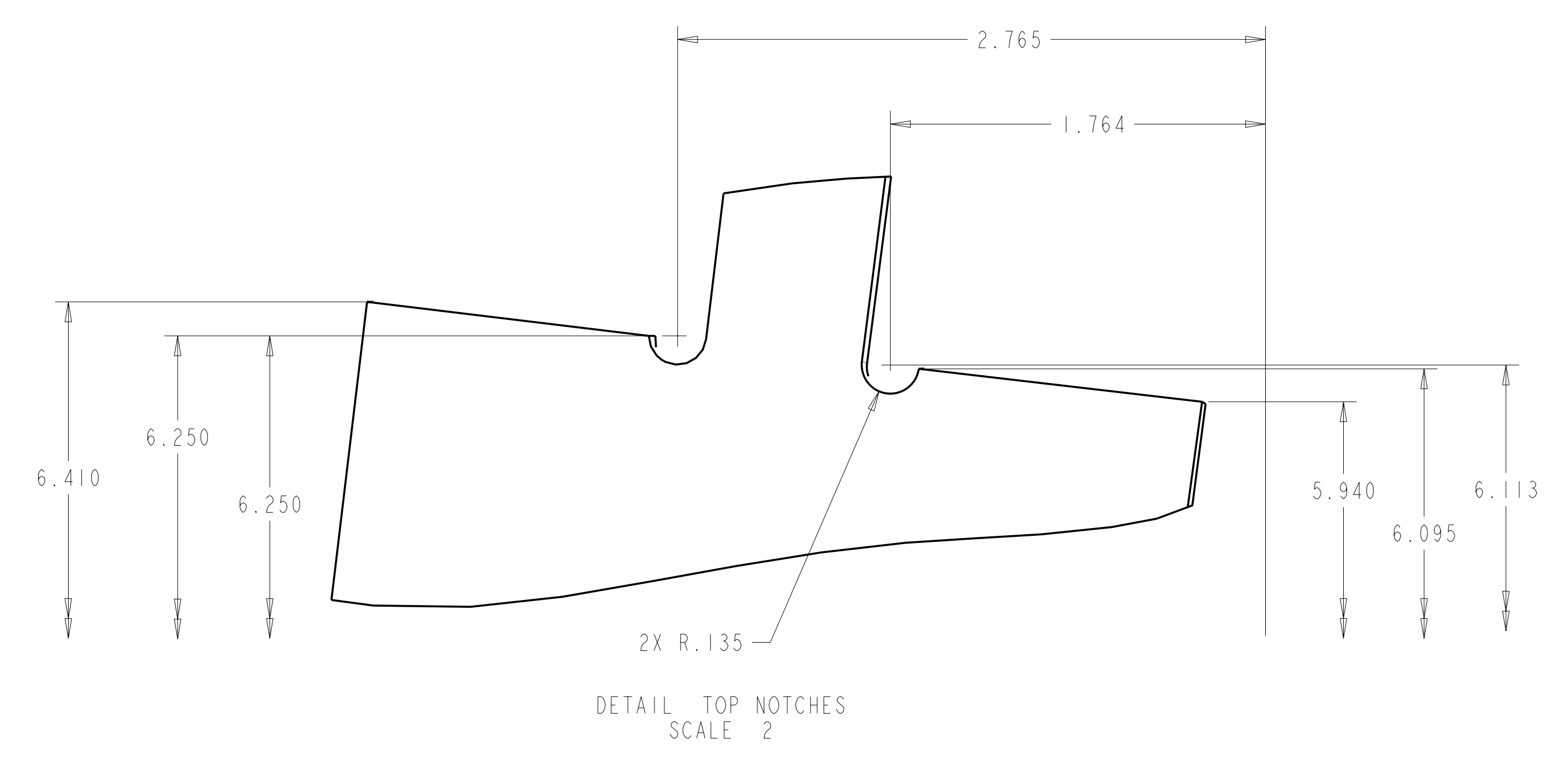
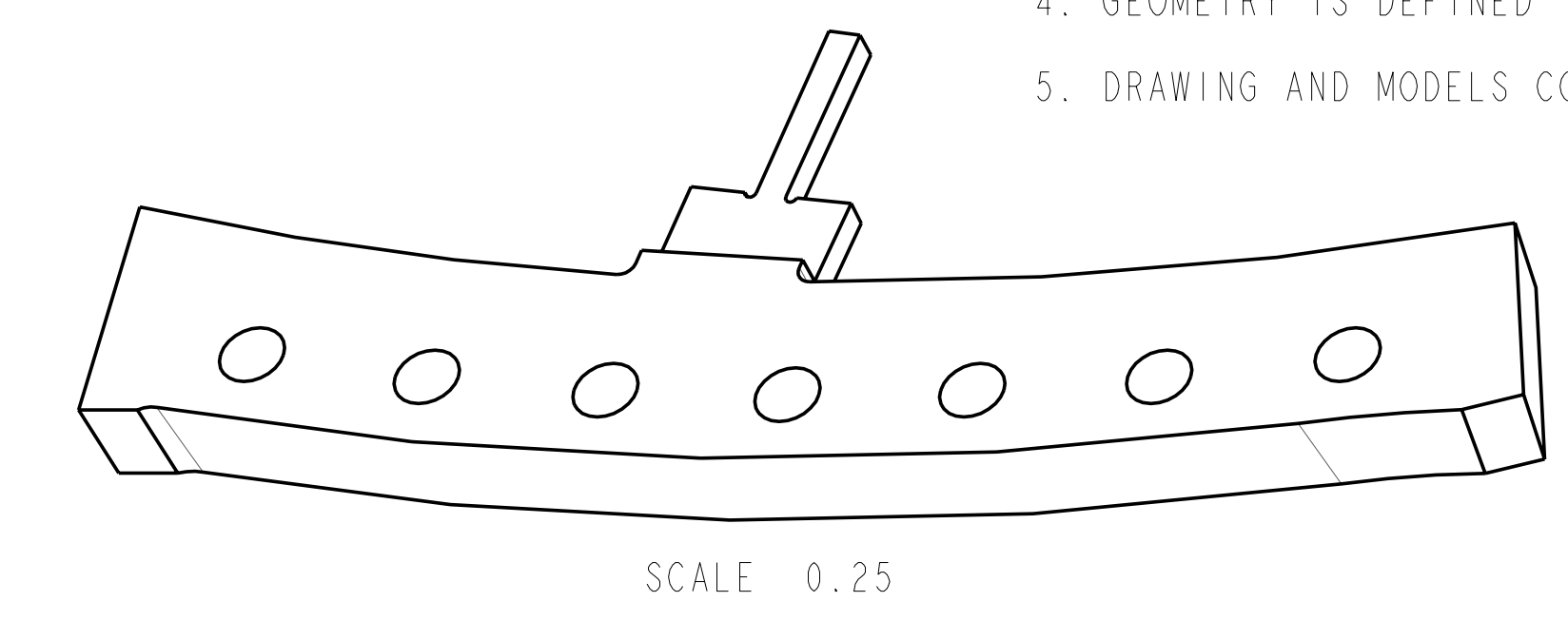
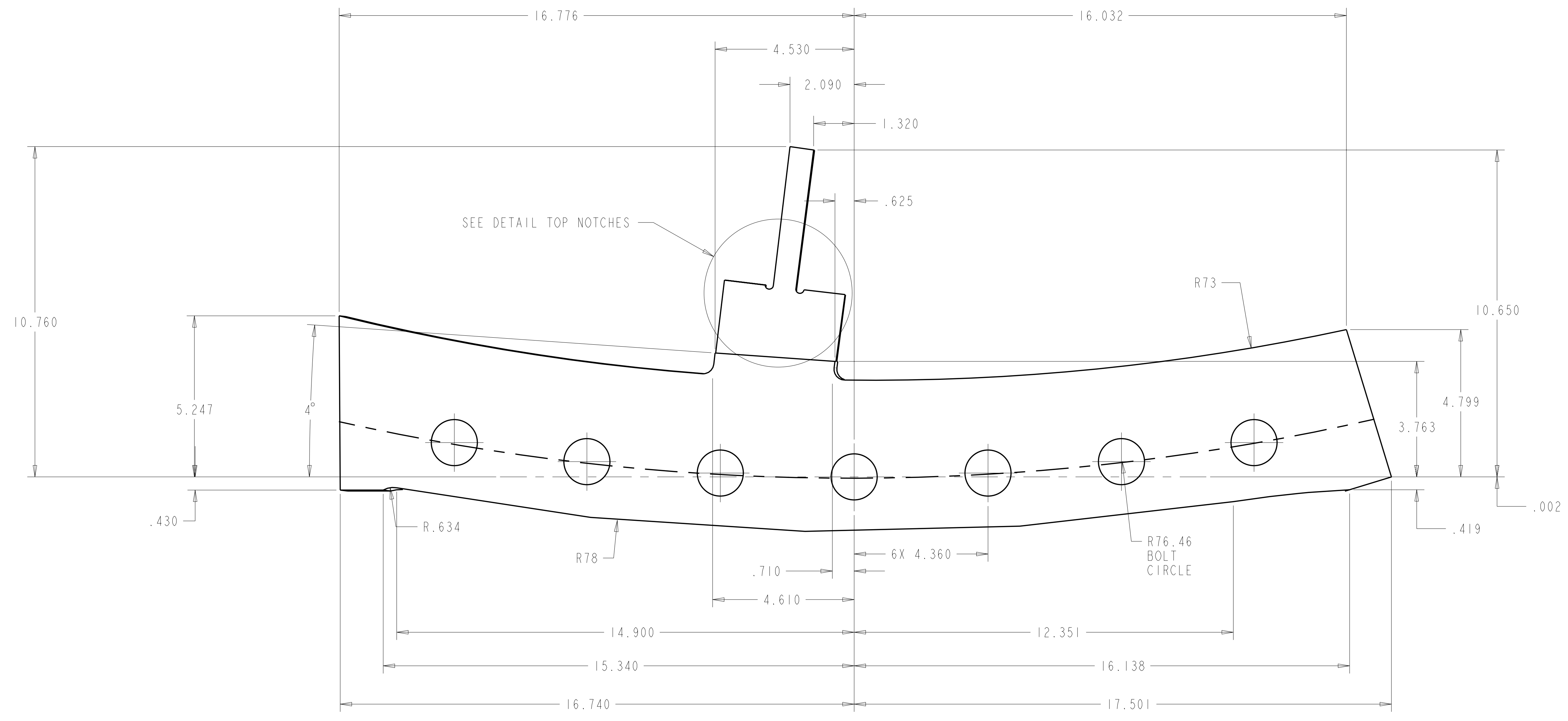


- NOTES:  
 1. INTERPRET DIMENSIONS AND TOLERANCES PER ANSI Y14.5M  
 2. DIMENSIONS ARE IN INCHES  
 3. DIMENSIONS APPLY AT ROOM TEMPERATURE. OPERATING TEMP 80 K  
 4. GEOMETRY IS DEFINED IN PRO ENGINEER CAD MODELS/FILES  
 5. DRAWING AND MODELS COMBINED DEFINE FINISHED MACHINED PART



next assy	SE141-033	TYPE-A PB SHIM	316L SS	--	
CAGE CODE	PART OR IDENTIFYING NO	NOMENCLATURE OR DESCRIPTION	MATERIAL	SPECIFICATION	FIND NO
←	NEXT ASSEMBLY	PARTS LIST			

NO REPRESENTATION OR WARRANTY, EXPRESSED OR IMPLIED, IS MADE AS TO THE ACCURACY, COMPLETENESS OR USEFULNESS OF THE INFORMATION OR STATEMENTS CONTAINED IN THESE DRAWINGS, OR THAT THE USE OR DISCLOSURE OF ANY INFORMATION, APPARATUS, METHOD OR PROCESS DISCLOSED IN THESE DRAWINGS MAY NOT INFRINGE PRIVATE RIGHTS OF OTHERS. NO LIABILITY IS ASSUMED WITH RESPECT TO THE USE OF, OR FOR DAMAGES RESULTING FROM THE USE OF, ANY INFORMATION, APPARATUS, METHOD OR PROCESS DISCLOSED IN THESE DRAWINGS. DRAWINGS MADE AVAILABLE FOR INFORMATION TO BIDDER ARE NOT TO BE USED FOR OTHER PURPOSES, AND ARE TO BE RETURNED UPON REQUEST OF THE FORWARDING CONTRACTOR.

**P** THIS DRAWING PRODUCED ON PRO-ENGINEER

REV	DESCRIPTION	BY	DATE	CHK	DEPT	DATE	PE	REQ	DATE	ORNL	DOE	DATE
	REVISION OR ISSUE PURPOSE											

SCALE	0.5	DES	PAUL MILLER	5-13-04
TOLERANCES UNLESS OTHERWISE SPECIFIED		DRW	PAUL MILLER	5-14-04
FRACTIONS		CHK		
XX DECIMALS	± .01	SECT		
XXX DECIMALS	± .005	DEPT		
ANGLES	± 0'15"	PE		
BREAK SHARP EDGES	06 MAX	CR		
FINISH	.125 UNLESS OTHERWISE SPECIFIED	PJ		
		RED		
		PPPL DRFT		
		DRAWING APPROVALS	DATE	

UT-BATTELLE		Oak Ridge National Laboratory managed for the DEPARTMENT OF ENERGY under U.S. GOVERNMENT contract DE-AC05-00OR22725 UT-BATTELLE, LLC, Oak Ridge, Tennessee	
NATIONAL COMPACT STELLARATOR EXPERIMENT			
TYPE-A PB SHIM			
VERSION NO.	PLANT	BLDG	FL
9	X-10	5700	3
RELEASE LEVEL	WIP	SEI41-033	

H  
G  
F  
E  
D  
C  
B  
A