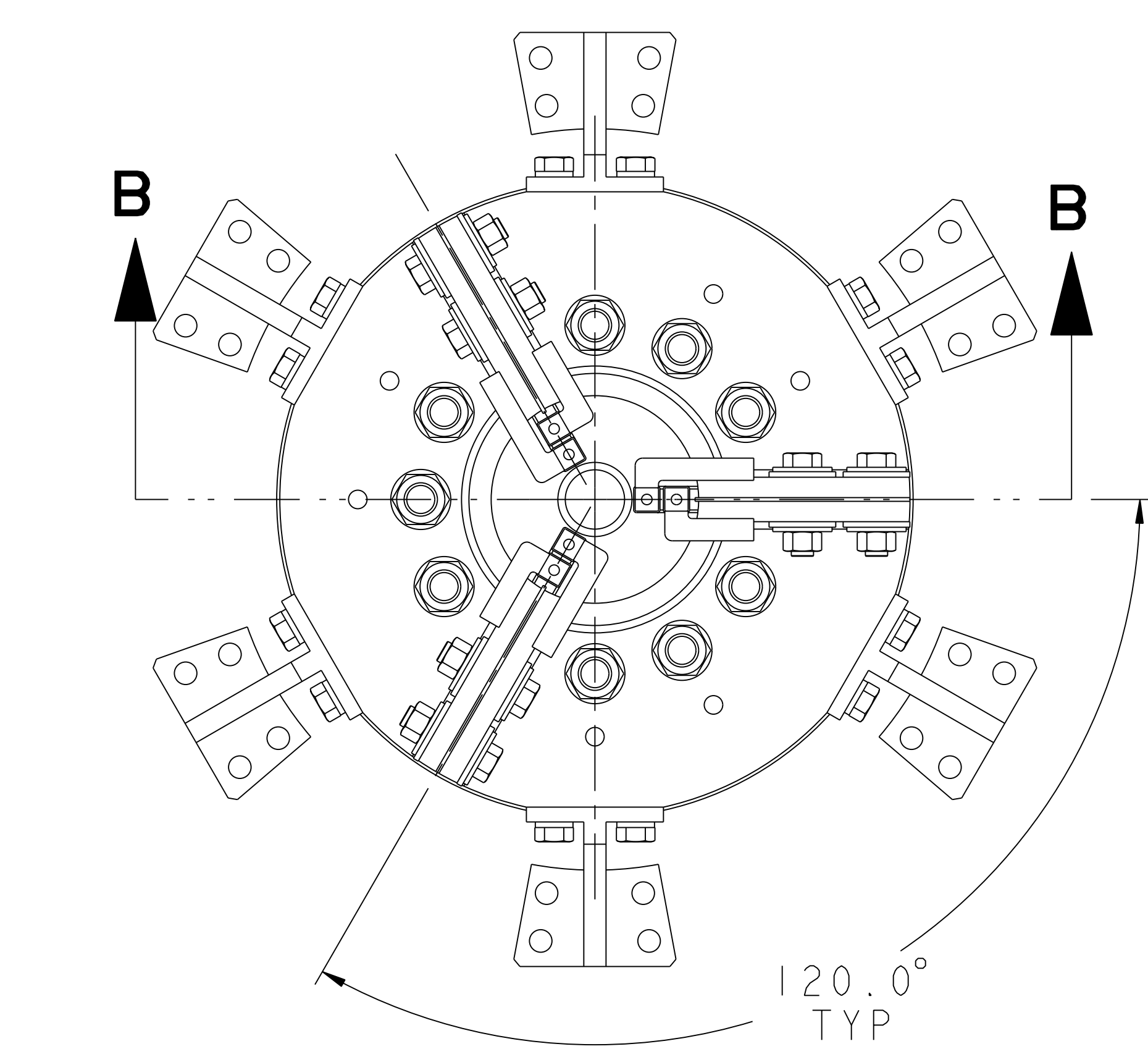
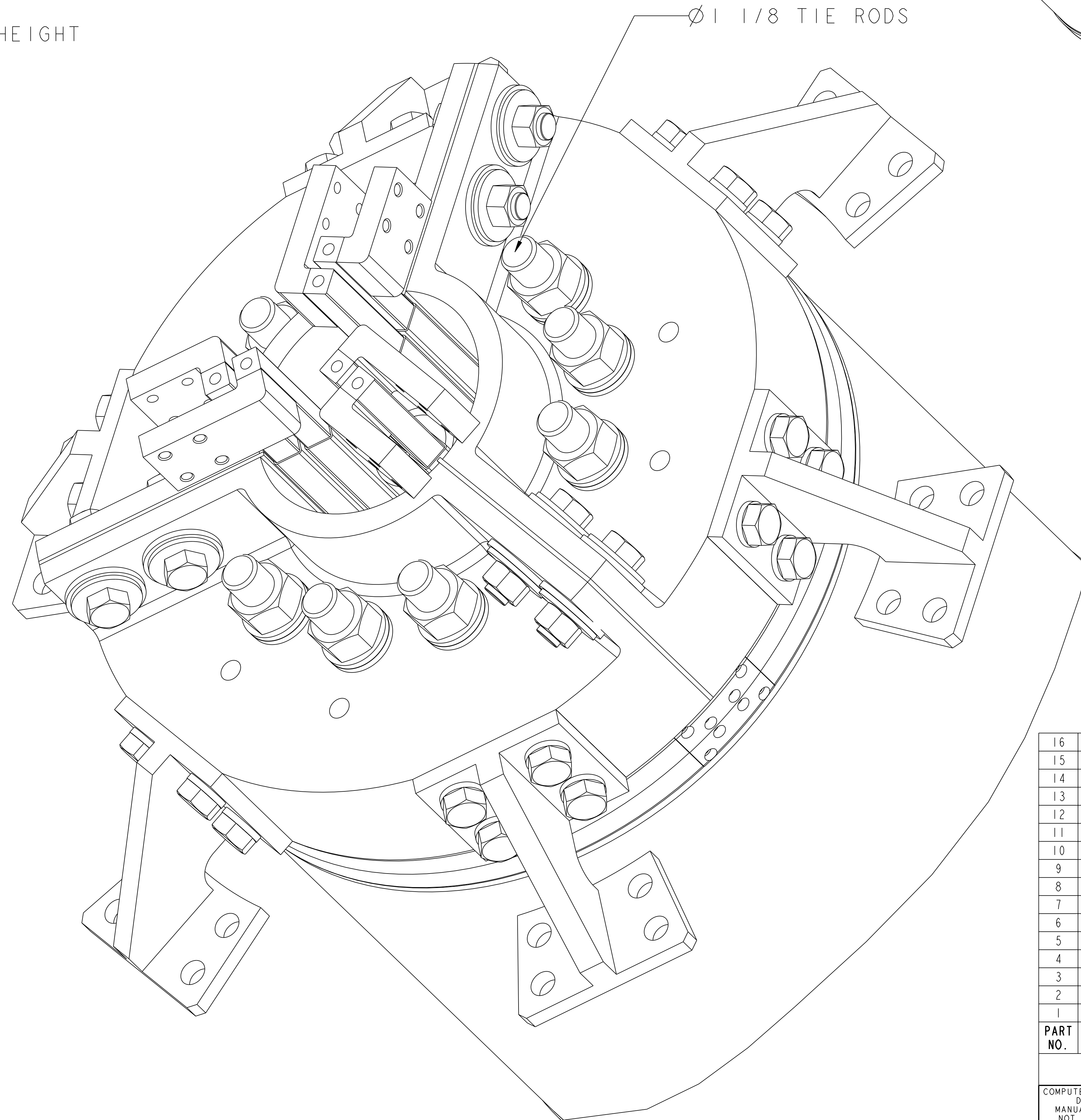
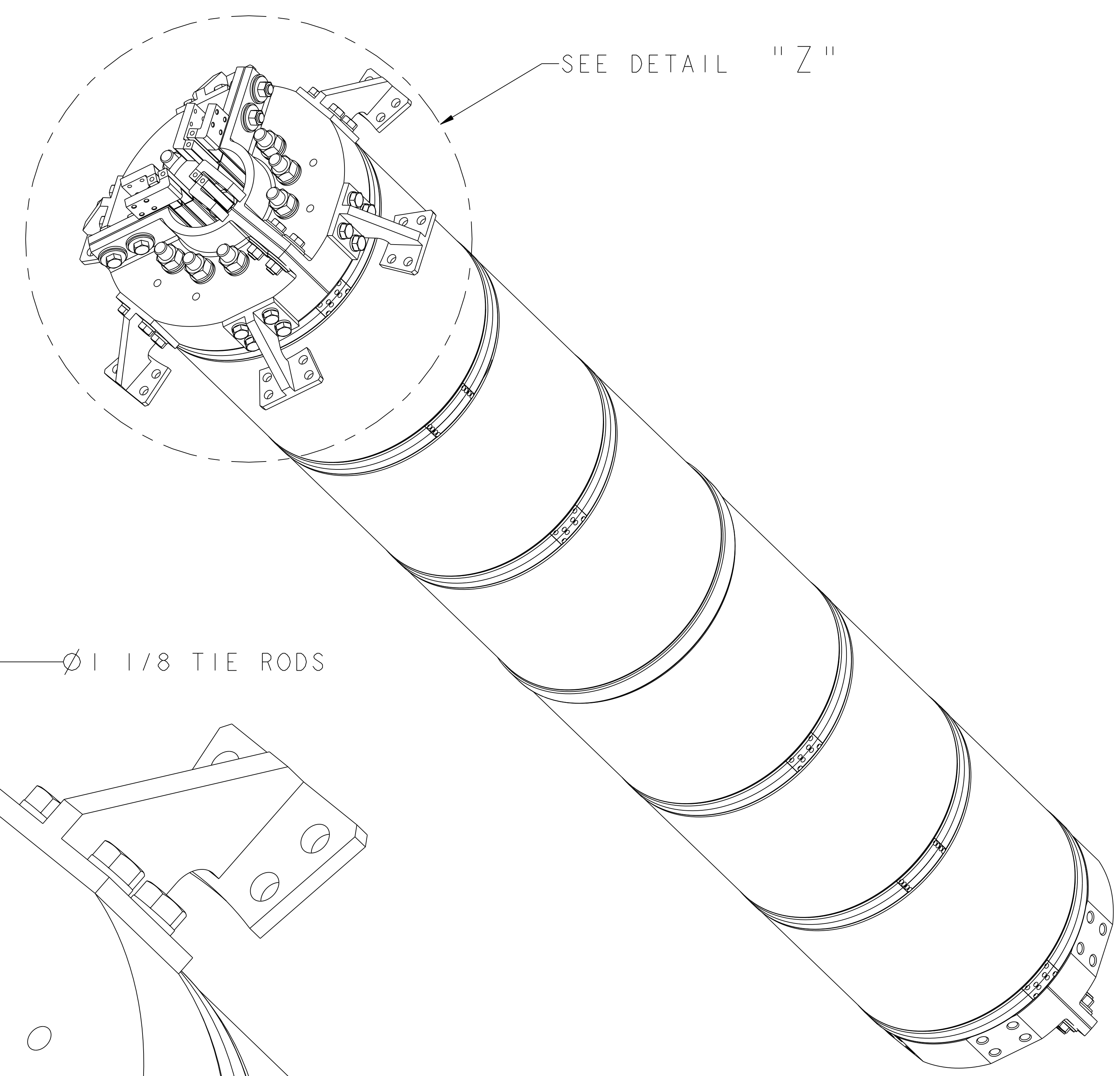


SECTION B-B
SCALE 0.187



DETAIL "Z"
SCALE 0.625

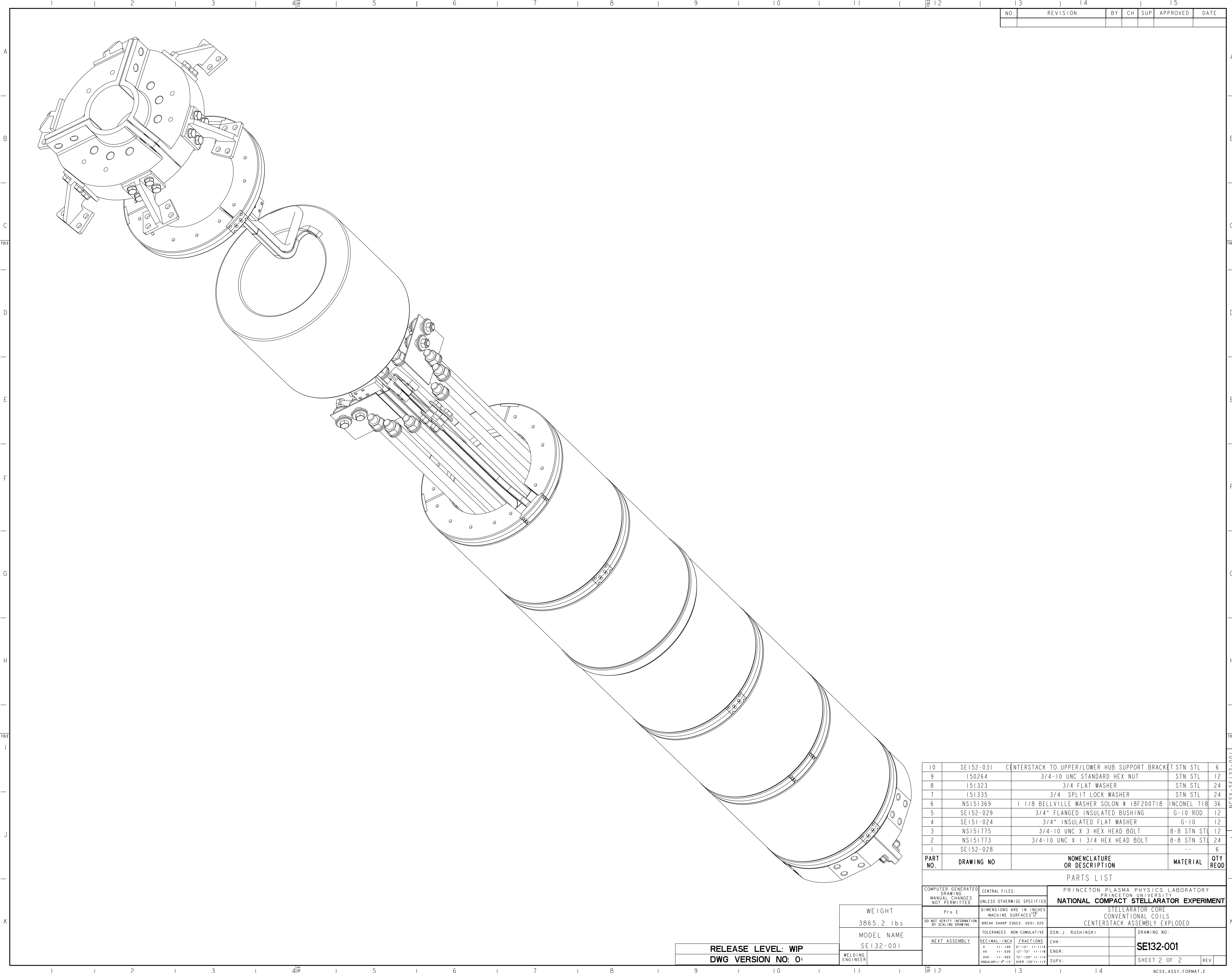


16	SE152-031	CENTERSTACK TO UPPER/LOWER HUB SUPPORT BRACKET	STN STL	6
15	150264	3/4-10 UNC STANDARD HEX NUT	STN STL	12
14	151323	3/4 FLAT WASHER	STN STL	24
13	151335	3/4 SPLIT LOCK WASHER	STN STL	24
12	NS150272	1 1/8 UNC STANDARD HEX NUT	STN STL	18
11	NS151369	1 1/8 BELLVILLE WASHER SOLON # 18F200718	INCONEL 718	36
10	SE152-029	3/4" FLANGED INSULATED BUSHING	G-10 ROD	12
9	SE151-024	3/4" INSULATED FLAT WASHER	G-10	12
8	SE132-009	PF-1, 2 & 3 LEAD FLAG SHORT	COPPER	6
7	SE132-008	PF-1, 2 & 3 LEAD FLAG LONG	COPPER	6
6	NS151775	3/4-10 UNC X 3 HEX HEAD BOLT	8-8 STN STL	12
5	NS151773	3/4-10 UNC X 1 3/4 HEX HEAD BOLT	8-8 STN STL	24
4	SE132-002	PFI-3 STACKED ASSEMBLY - WEDGED TF OPTION	--	1
3	SE152-028	--	--	6
2	SE152-026	--	--	2
1	SE152-019	--	--	6

PART NO.	DRAWING NO	NOMENCLATURE OR DESCRIPTION	MATERIAL	QTY RECD
PARTS LIST				
COMPUTER GENERATED DRAWING MANUAL CHANGES NOT PERMITTED		CENTRAL FILES: UNLESS OTHERWISE SPECIFIED	PRINCETON PLASMA PHYSICS LABORATORY PRINCETON UNIVERSITY	
Pro E		DIMENSIONS ARE IN INCHES MACHINE SURFACES	NATIONAL COMPACT STELLARATOR EXPERIMENT	
DO NOT VERIFY INFORMATION BY SCALING DRAWING		BREAK SHARP EDGES .005/.020	STELLARATOR CORE CONVENTIONAL COILS CENTERSTACK ASSEMBLY PF COILS 1, 2 & 3	
NEXT ASSEMBLY		TOLERANCES NON-CUMULATIVE	DSN: J. RUSHINSKI	DRAWING NO:
		DECIMAL-INCH FRACTIONS	CHK:	SE132-001
		.XX +/- .030 12"-12" +/- .126	ENGR:	
		.XXX +/- .005 12"-120" +/- .124	SUPV:	
		ANGULAR +/- .015 12"-120" +/- .122		SHEET 1 OF 2 REV

RELEASE LEVEL: WIP
DWG VERSION NO:

WEIGHT
3865.2 lbs
MODEL NAME
SE132-001
WELDING
ENGINEER



NO.	REVISION	BY	CH	SUP	APPROVED	DATE

10	SE152-031	CENTERSTACK TO UPPER/LOWER HUB SUPPORT BRACKET	STN STL	6
9	150264	3/4-10 UNC STANDARD HEX NUT	STN STL	12
8	151323	3/4 FLAT WASHER	STN STL	24
7	151335	3/4 SPLIT LOCK WASHER	STN STL	24
6	NS151369	1 1/8 BELLVILLE WASHER SOLON # 18F200718	INCONEL 718	36
5	SE152-029	3/4" FLANGED INSULATED BUSHING	G-10 ROD	12
4	SE151-024	3/4" INSULATED FLAT WASHER	G-10	12
3	NS151775	3/4-10 UNC X 3 HEX HEAD BOLT	8-8 STN STL	12
2	NS151773	3/4-10 UNC X 1 3/4 HEX HEAD BOLT	8-8 STN STL	24
1	SE152-028	--	--	6

PART NO.	DRAWING NO	NOMENCLATURE OR DESCRIPTION	MATERIAL	QTY RECD
PARTS LIST				
COMPUTER GENERATED DRAWING MANUAL CHANGES NOT PERMITTED Pro E		CENTRAL FILES: UNLESS OTHERWISE SPECIFIED	PRINCETON PLASMA PHYSICS LABORATORY PRINCETON UNIVERSITY	
DO NOT VERIFY INFORMATION BY SCALING DRAWING		DIMENSIONS ARE IN INCHES MACHINE SURFACES BREAK SHARP EDGES .005/.020	NATIONAL COMPACT STELLARATOR EXPERIMENT STELLARATOR CORE CONVENTIONAL COILS CENTERSTACK ASSEMBLY EXPLODED	
NEXT ASSEMBLY		TOLERANCES NON-CUMULATIVE DECIMAL-INCH FRACTIONS .XX +/- .030 0°-120° +/- .124 .XXX +/- .005 120°-120° +/- .124 ANGULAR +/- .0°-15° OVER 120° +/- .124	DSN: J. RUSHINSKI CHK: ENGR: SUPV:	DRAWING NO: SE132-001 SHEET 2 OF 2 REV

RELEASE LEVEL: WIP
DWG VERSION NO: 0

WEIGHT
3865.2 lbs
MODEL NAME
SE132-001
WELDING
ENGINEER

NCSX-SE132-001

K