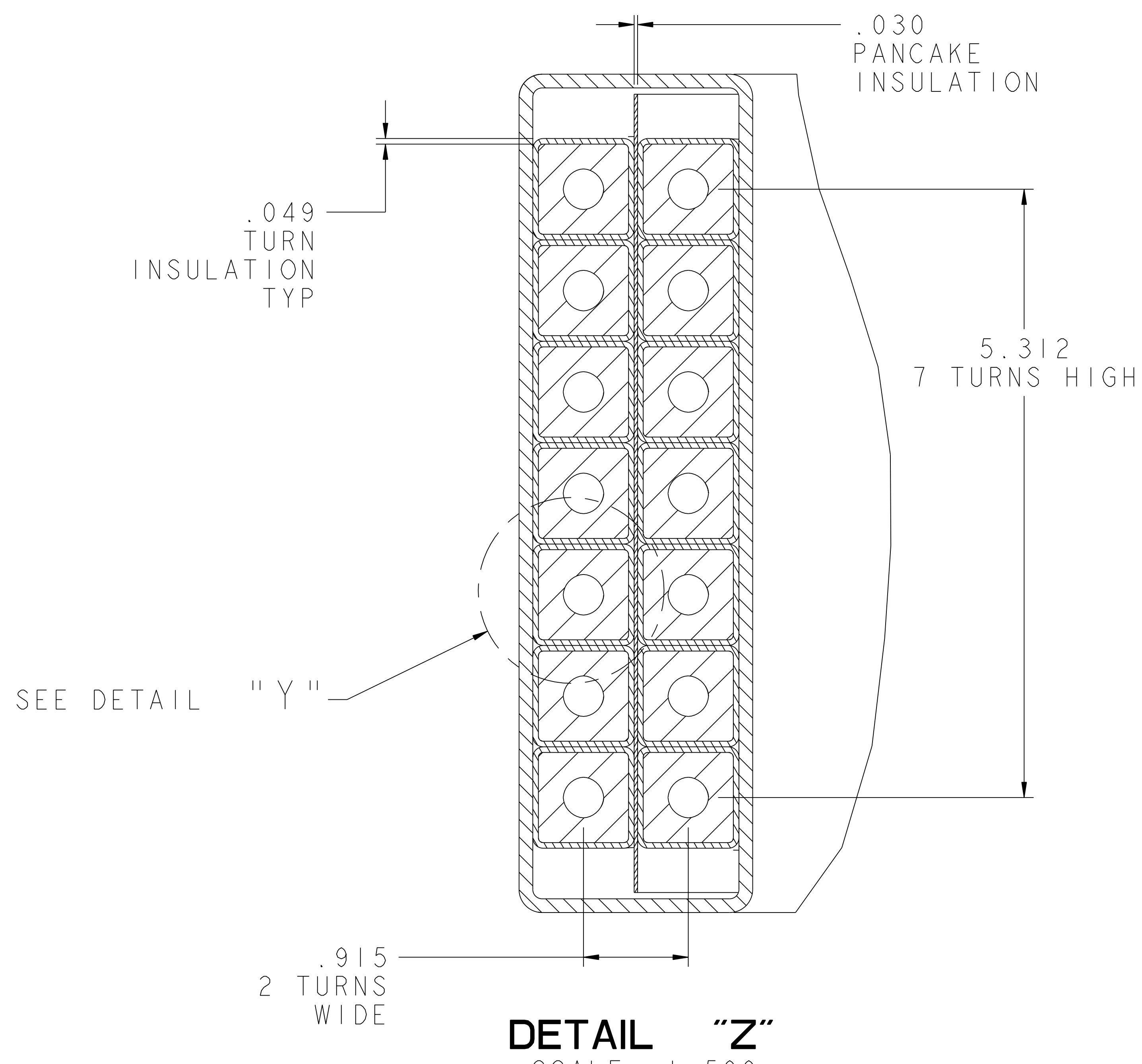
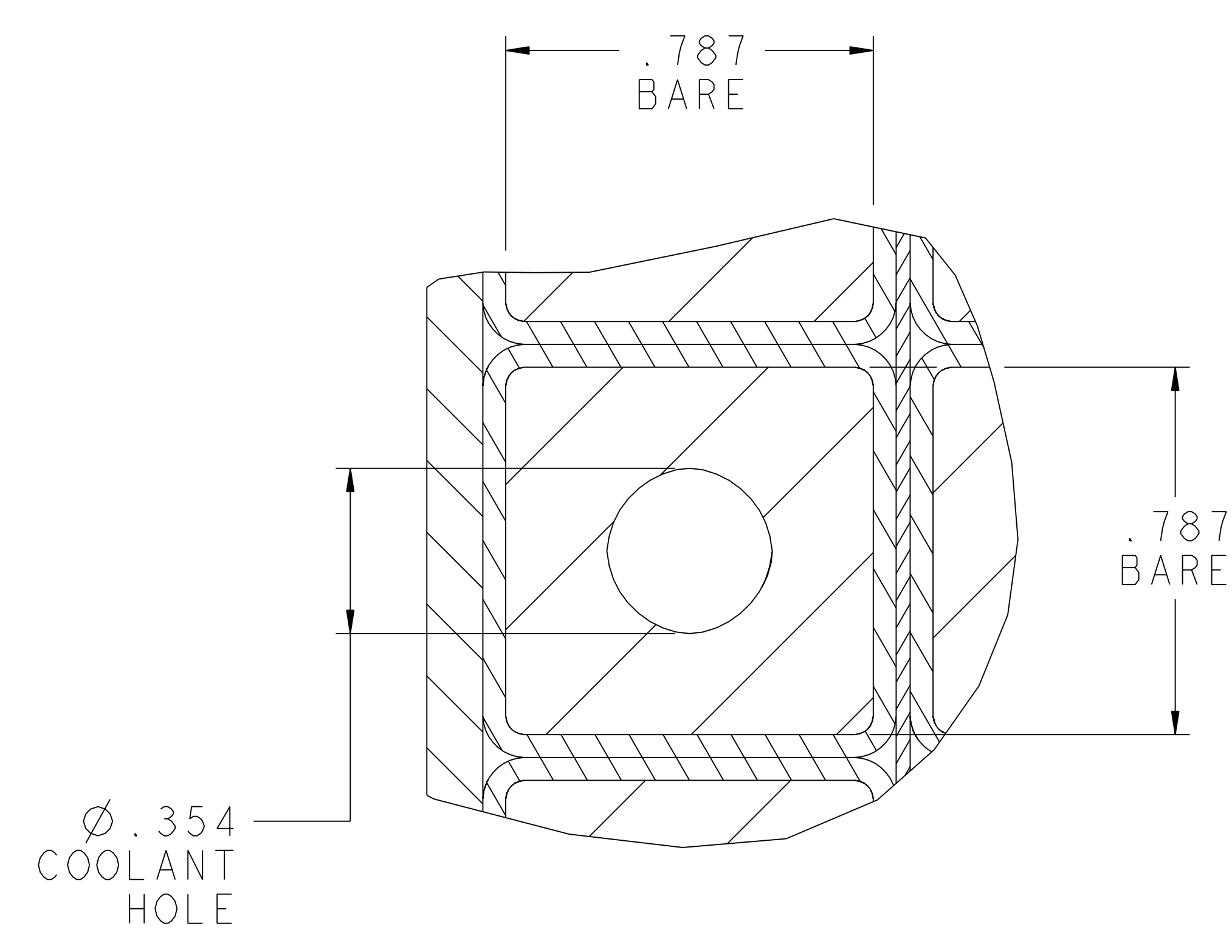


SECTION A-A
SCALE 1.000



DETAIL "Z"
SCALE 1.500



DETAIL "Y"
SCALE 4.000

NOTE
1. COPPER TO BE OFHC CDA 104,
CDA 105, OR CDA 107
SILVER BEARING

2 ASSEMBLIES REQ'D

PART NO.	DRAWING NO	NOMENCLATURE OR DESCRIPTION	MATERIAL	QTY RECD
5	SE132-046	PF-1, 2 & 3 LEAD FLAG LONG	OFHC COPPER	2
4	SE132-061	PF-6 BARE CONDUCTOR WINDING	OFHC COPPER	1
3	SE132-064	PF-6 TURN INSULATION	KAPTON/DRY GLASS TAPE	1
2	SE132-066	PF-6 GROUNDWRAP	KAPTON/DRY GLASS TAPE	1
1	SE132-065	PF-6 PANCAKE INSULATION	G-10	1

PARTS LIST

COMPUTER GENERATED DRAWING DRAWING CHANGES NOT PERMITTED Pro E	CENTRAL FILES: UNLESS OTHERWISE SPECIFIED DIMENSIONS ARE IN INCHES MACHINE SURFACES BREAK SHARP EDGES .005/.020	PRINCETON PLASMA PHYSICS LABORATORY NATIONAL COMPACT STELLARATOR EXPERIMENT STELLARATOR CORE CONVENTIONAL COILS PF-6 ASSEMBLY
DO NOT VERIFY INFORMATION BY SCALING DRAWING	TOLERANCES NON-CUMULATIVE DECIMAL-INCH FRACTIONS .XX ±.005 .XXX ±.005 ANGULAR ±.0°-15° OVER 120° ±.1°-1.2°	DSN: J. RUSHINSKI CHK: ENGR: M. KALISH SUPV:
WEIGHT 1709.0 lbs	MODEL NAME SE132-060	DRAWING NO: SE132-060
RELEASE LEVEL: WIP DWG VERSION NO:	WELDING ENGINEER	SHEET 1 OF 1 REV

NCSX-SE132-060