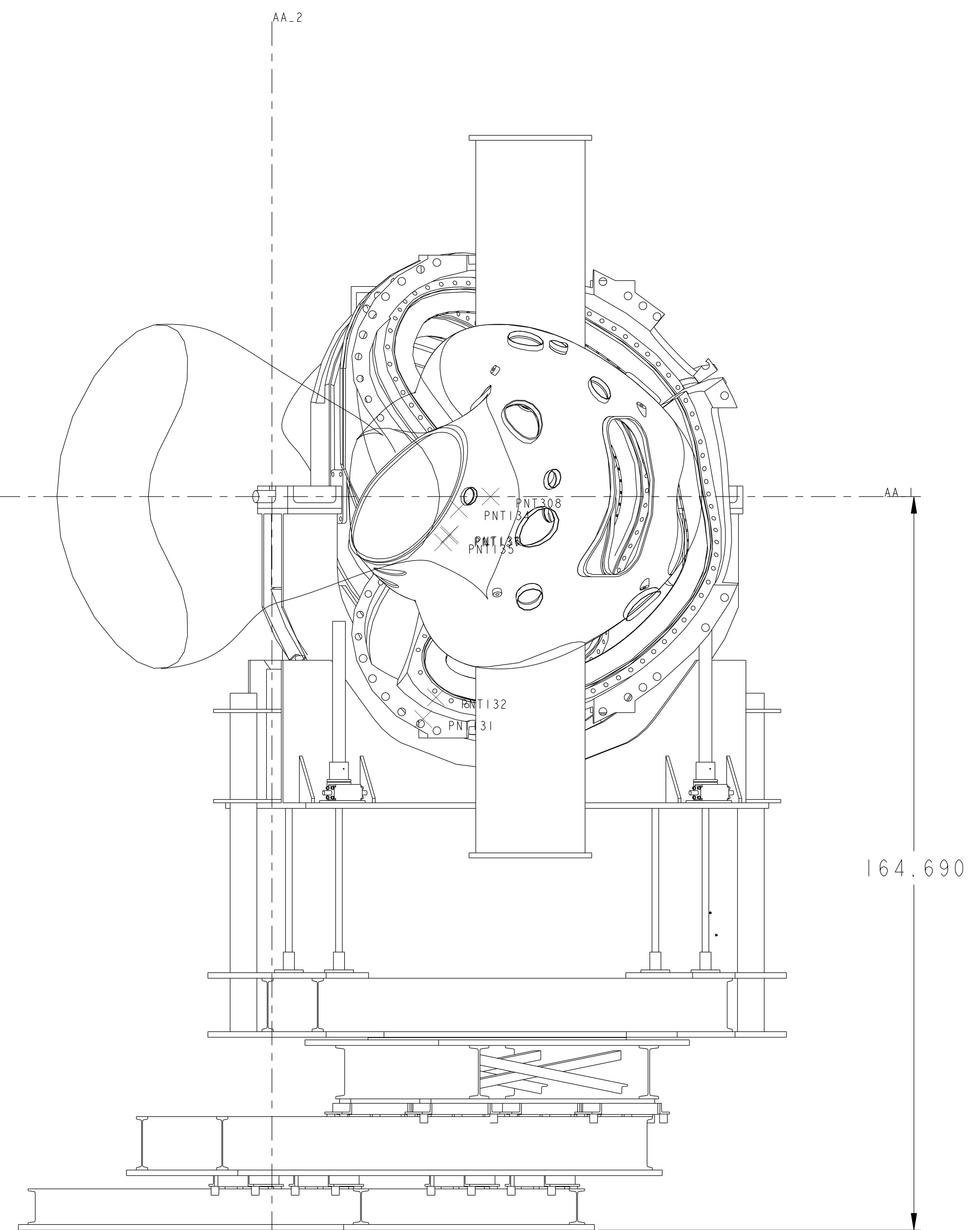
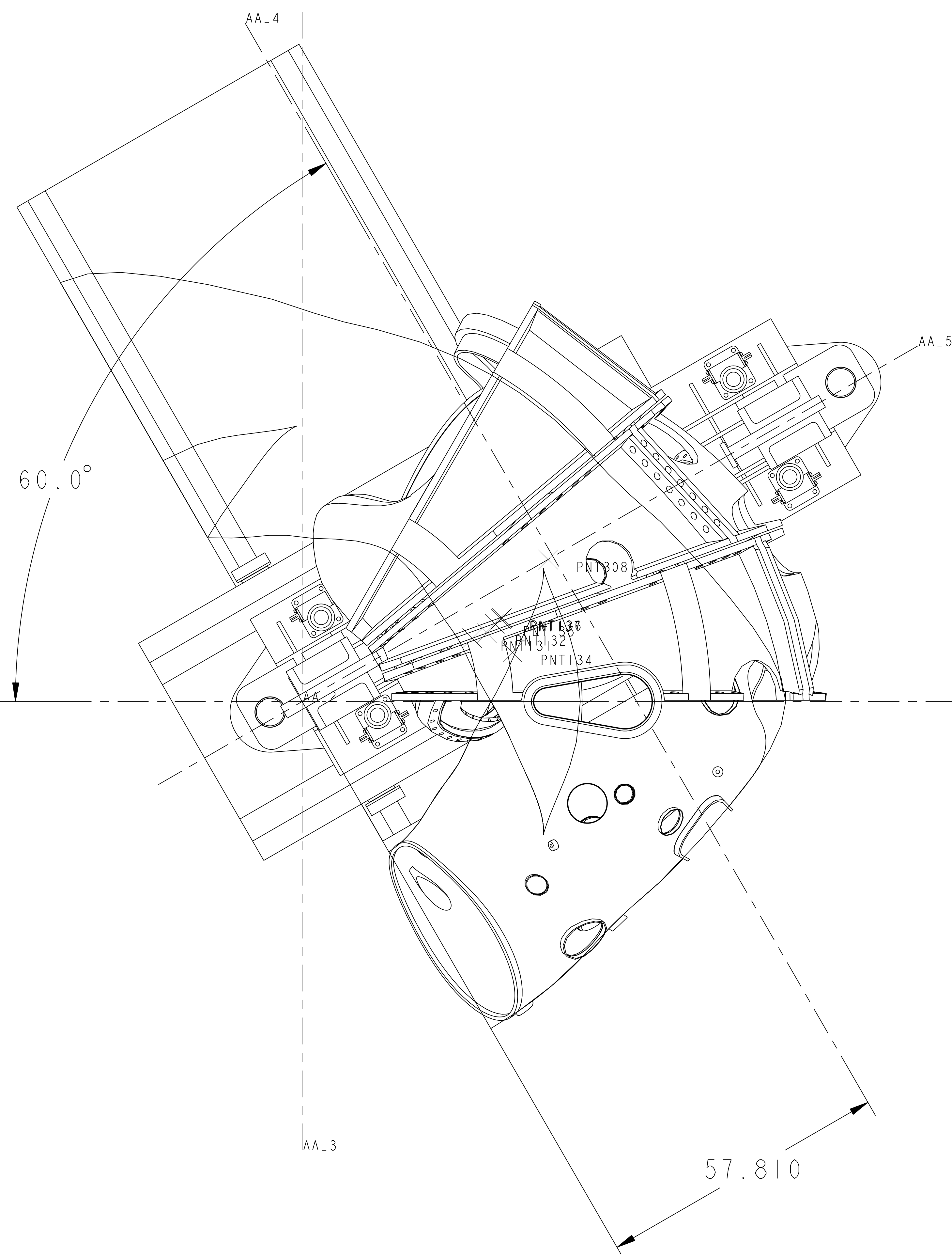


NO.	REVISION	BY	CH	SUP	APPROVED	DATE



3	SE120-002	VACUUM VESSEL PERIOD ASSY	--	1
2	STB730-001	--	--	1
1	STB730-000	--	--	1
PART NO.	DRAWING NO	NOMENCLATURE OR DESCRIPTION	MATERIAL	QTY RECD
PARTS LIST				
COMPUTER GENERATED DRAWING MANUAL CHANGES NOT PERMITTED Pro E		CENTRAL FILES: UNLESS OTHERWISE SPECIFIED	PRINCETON PLASMA PHYSICS LABORATORY PRINCETON UNIVERSITY	
DO NOT VERIFY INFORMATION BY SCALING DRAWING		DIMENSIONS ARE IN INCHES MACHINE SURFACES BREAK SHARP EDGES .005/.020	NATIONAL COMPACT STELLARATOR EXPERIMENT	
WEIGHT 39370.4 lbs		TOLERANCES NON-CUMULATIVE	DSN: T BROWN	DRAWING NO:
MODEL NAME STB730-000		DECIMAL-INCH FRACTIONS	CHK: ENGR: T BROWN	STB730-000
NEXT ASSEMBLY		.XX +/- .000 0°-120° +/- .010 .XX +/- .000 120°-120° +/- .010 .XX +/- .005 72°-120° +/- .010 ANGULAR +/- .0°-15° OVER 120° +/- .172	SUPV:	SHEET 1 OF 1 REV

RELEASE LEVEL:
DWG VERSION NO:

WELDING ENGINEER

NCSX-STB730-000