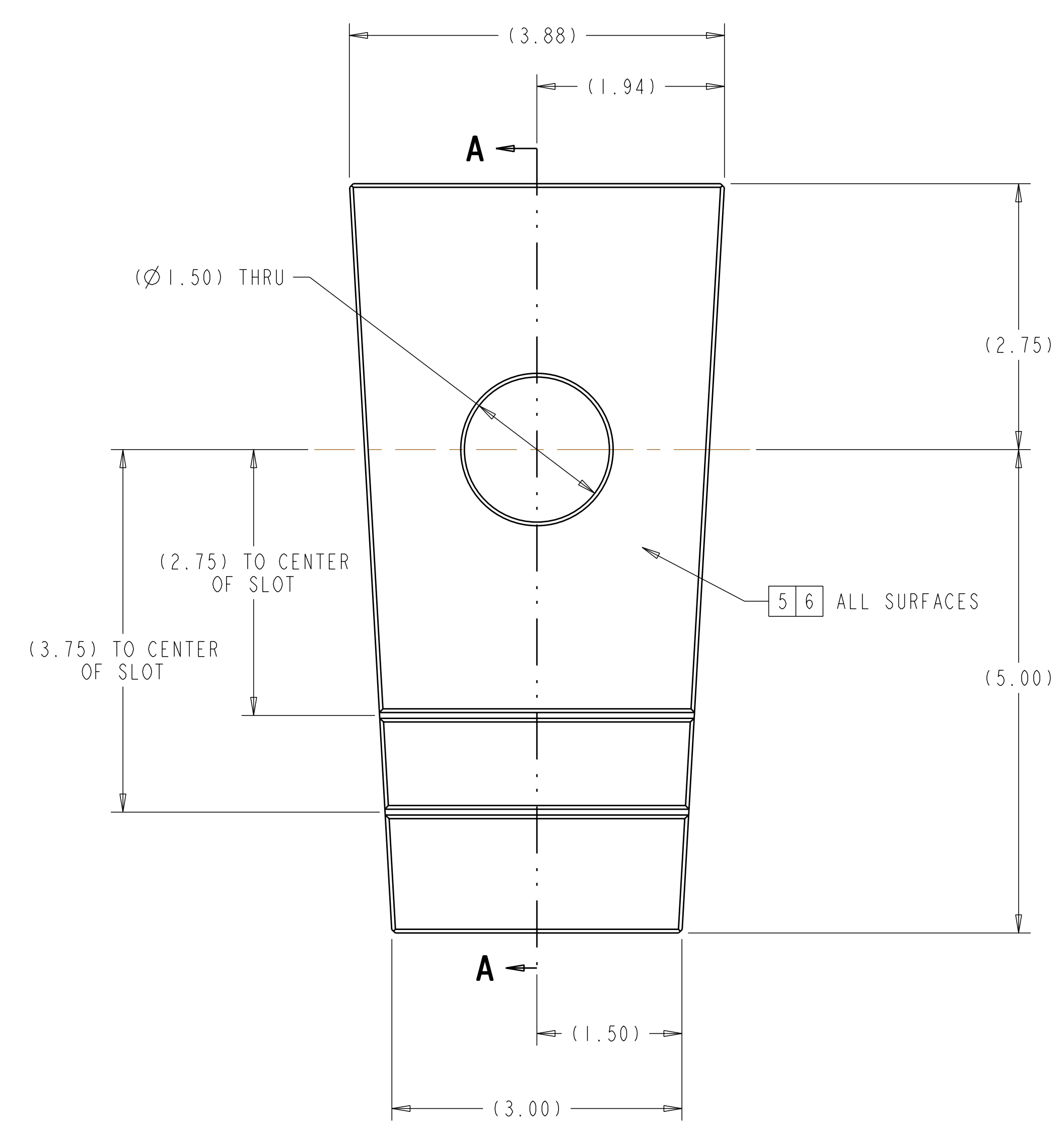


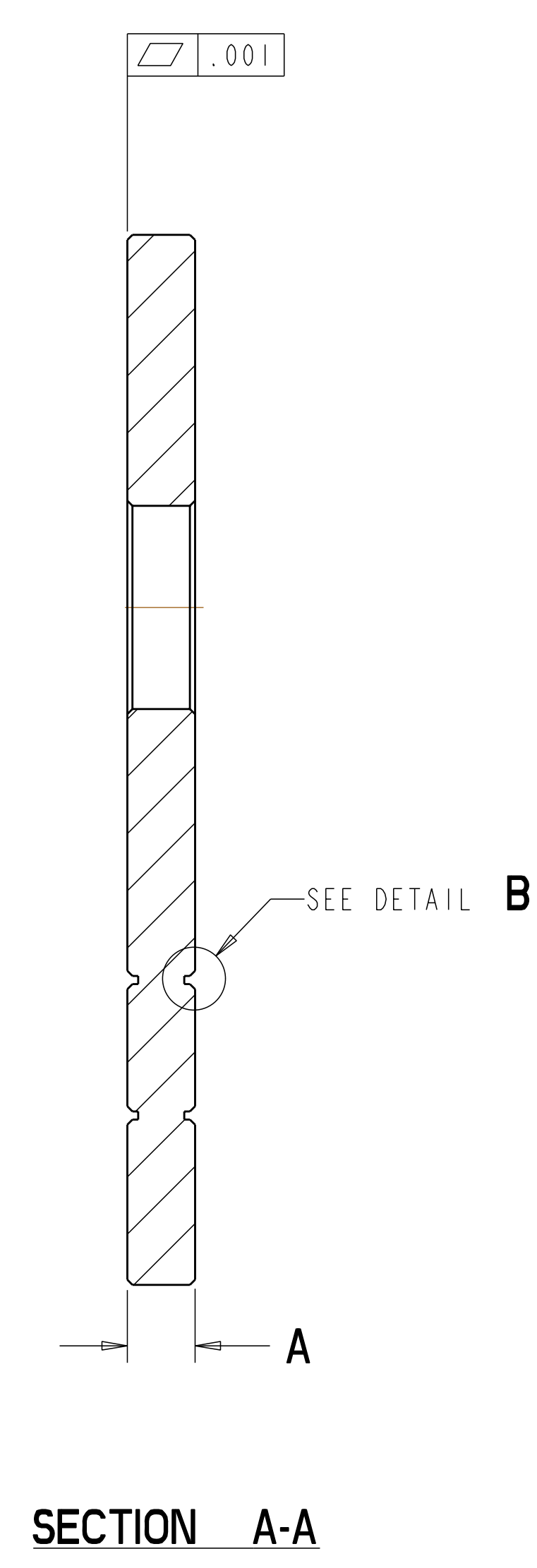
**DETAIL B**  
 SCALE 4.00

- NOTES
- DRAWING PREPARED IN ACCORDANCE WITH ASME Y14.100-2004.
  - INTERPRET DIMENSIONS AND TOLERANCES PER ASME Y14.5M-1994.
  - DIMENSIONS ARE IN INCHES
  - MAGNETIC PERMEABILITY NOT TO EXCEED 1.02 AS TESTED BY A SEVERN INDICATOR. AVAILABLE FROM:  
 SEVERN ENGINEERING  
 AUBURN, ALABAMA 36830  
 WWW.SEVERNGINEERING.COM
  - IF PERMEABILITY SPEC IS NOT ACHIEVED THEN SOLUTION ANNEAL PART PRIOR TO COATING.
  - ALUMINA COATING PER SPECIFICATION NCSX-CSPEC-142-06-00.
  - SURFACE FINISH AFTER COATING 150-500.  
 SURFACE FINISH ON NON-COATED PART 125 OR LESS UNLESS OTHERWISE SPECIFIED BY COATING SUPPLIER.



**-1 SINGLE HOLE SHIM**  
 SCALE 1.00

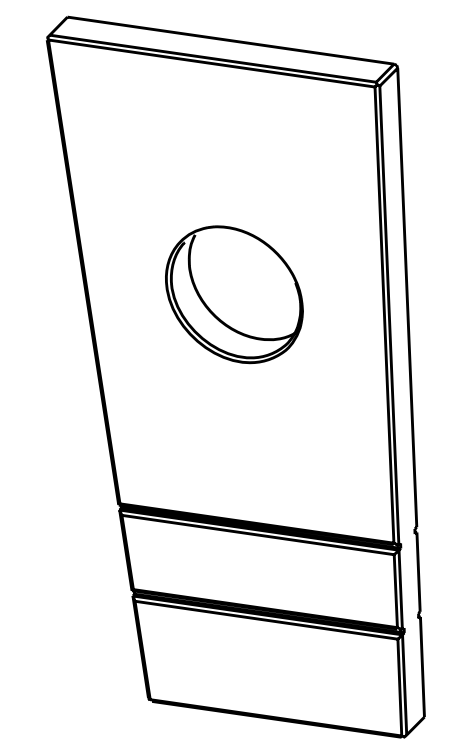
NOTE: DIMENSIONS SHOWN ON THIS SHEET APPLY AFTER COATING  
 SEE SHEET 2 FOR NON-COATED PART



**SECTION A-A**

TOTAL **214**

QTY REQ'D	DIM A	MIN	MAX	THICKNESS OF SS ± .001	PART NO
1	.540	.535	.547	.490	-36
1	.538	.533	.545	.488	-35
1	.536	.531	.543	.486	-34
1	.534	.529	.541	.484	-33
2	.532	.527	.539	.482	-32
2	.530	.525	.537	.480	-31
3	.528	.523	.535	.478	-30
4	.526	.521	.533	.476	-29
5	.524	.519	.531	.474	-28
6	.522	.517	.529	.472	-27
7	.520	.515	.527	.470	-26
8	.518	.513	.525	.468	-25
9	.516	.511	.523	.466	-24
10	.514	.509	.521	.464	-23
10	.512	.507	.519	.462	-22
11	.510	.505	.517	.460	-21
12	.508	.503	.515	.458	-20
12	.506	.501	.513	.456	-19
12	.504	.499	.511	.454	-18
12	.502	.497	.509	.452	-17
11	.500	.495	.507	.450	-16
11	.498	.493	.505	.448	-15
10	.496	.491	.503	.446	-14
9	.494	.489	.501	.444	-13
8	.492	.487	.499	.442	-12
7	.490	.485	.497	.440	-11
6	.488	.483	.495	.438	-10
5	.486	.481	.493	.436	-9
4	.484	.479	.491	.434	-8
4	.482	.477	.489	.432	-7
3	.480	.475	.487	.430	-6
2	.478	.473	.485	.428	-5
2	.476	.471	.483	.426	-4
1	.474	.469	.481	.424	-3
1	.472	.467	.479	.422	-2
1	.470	.465	.477	.420	-1



**ISOMETRIC VIEW**  
 SCALE .50

AR	AR	AR	SEE CHART	SINGLE HOLE SHIM	316 SST 4	ASTM A240	I
SE100-001	SE100-002	SE100-003	CAGE CODE	PART OR IDENTIFYING NO	NOMENCLATURE OR DESCRIPTION	MATERIAL	FIND NO
				NEXT ASSEMBLY		PARTS LIST	

**RELEASED FOR FABRICATION / INSTALLATION**  
 PPPL Drafting

REV	DESCRIPTION	BY	DATE	CHK	DEPT	DATE	PE	REQ	DATE	ORNL	DOE	DATE
0	ORIGINAL ISSUE	GM	07/07	MC		07/07	DW		07/07			

SCALE	NOTED	DES	DATE	DRW	DATE	CHK	DATE	SECT	DEPT	PE	CR	PJ	RED
		D WILLIAMSON	07/07	G MCGINNIS	07/07	M COLE	07/07						

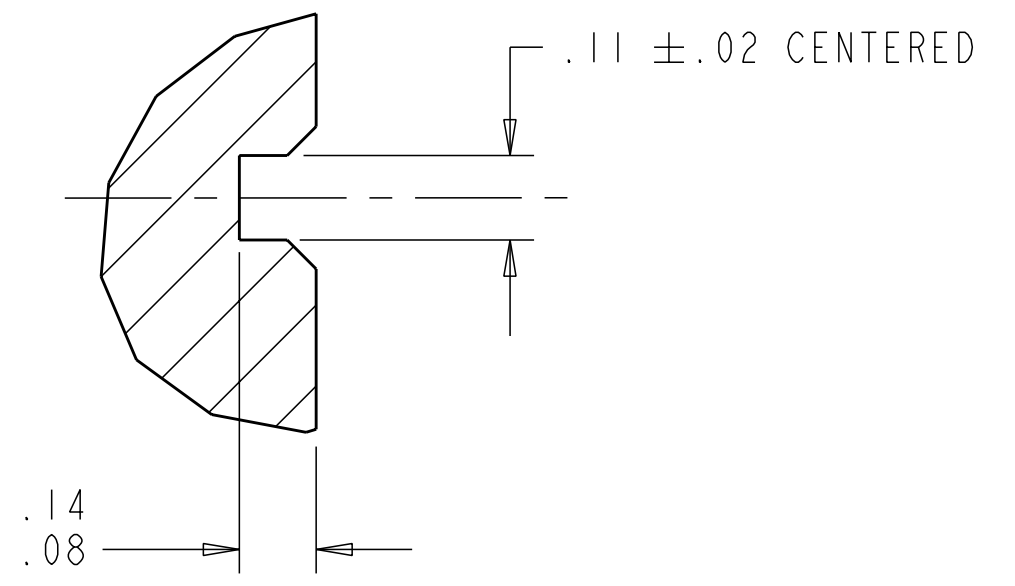
  

PPPL	DRFT	J SIEGEL	07/07	VERSION NO.	PLANT	BLDG	FL	SHT OF	TYPE	CLASS
				18	ORNL	5700	3	1	2	U

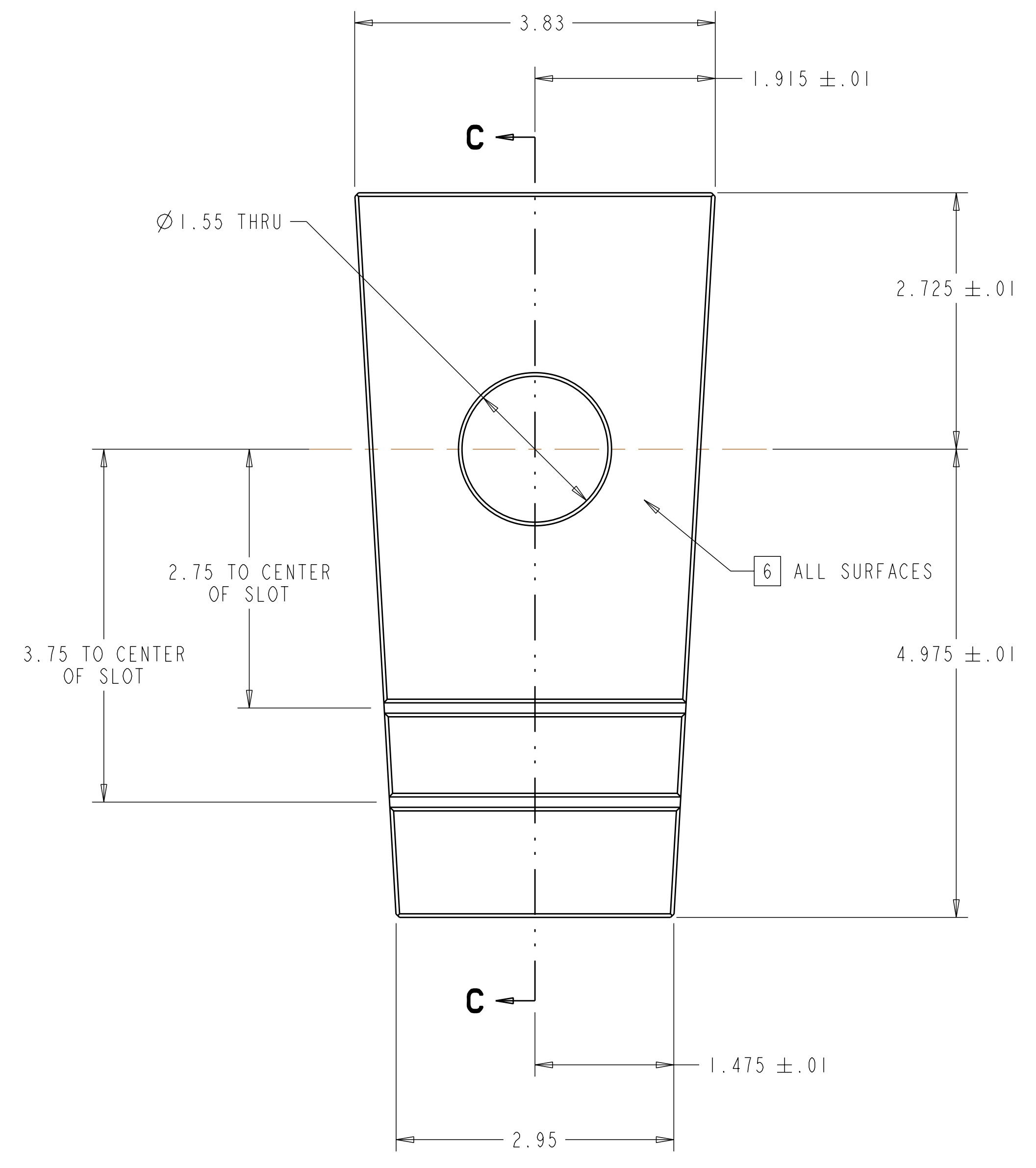
NO REPRESENTATION OR WARRANTY, EXPRESSED OR IMPLIED, IS MADE AS TO THE ACCURACY, COMPLETENESS OR USEFULNESS OF THE INFORMATION OR STATEMENTS CONTAINED IN THESE DRAWINGS, OR THAT THE USE OR DISCLOSURE OF ANY INFORMATION, APPARATUS, METHOD OR PROCESS DISCLOSED IN THESE DRAWINGS MAY NOT INFRINGE PRIVATE RIGHTS OF OTHERS. NO LIABILITY IS ASSUMED WITH RESPECT TO THE USE OF, OR FOR DAMAGES RESULTING FROM THE USE OF, ANY INFORMATION, APPARATUS, METHOD OR PROCESS DISCLOSED IN THESE DRAWINGS. DRAWINGS MADE AVAILABLE FOR INFORMATION TO BIDDER ARE NOT TO BE USED FOR OTHER PURPOSES, AND ARE TO BE RETURNED UPON REQUEST OF THE FORWARDING CONTRACTOR.

**P** THIS DRAWING PRODUCED ON PRO-ENGINEER

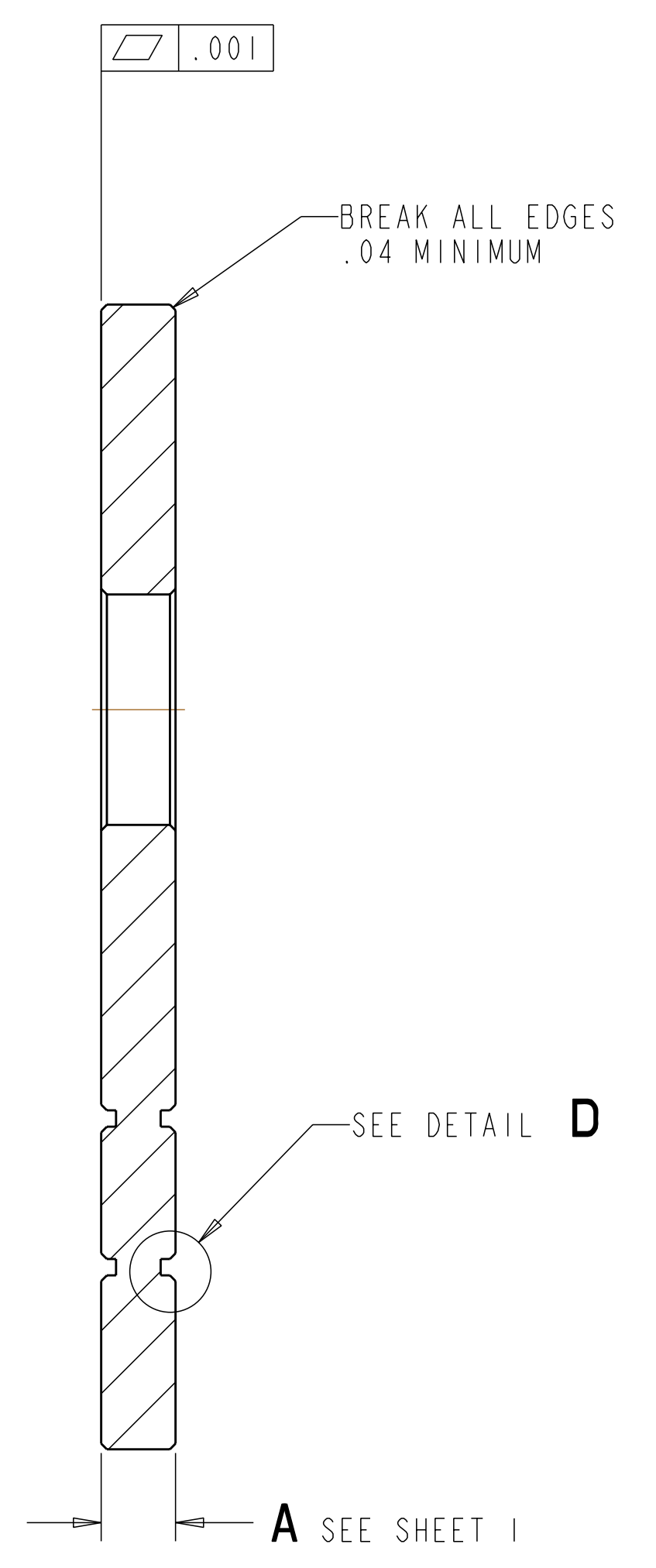
SE140-040



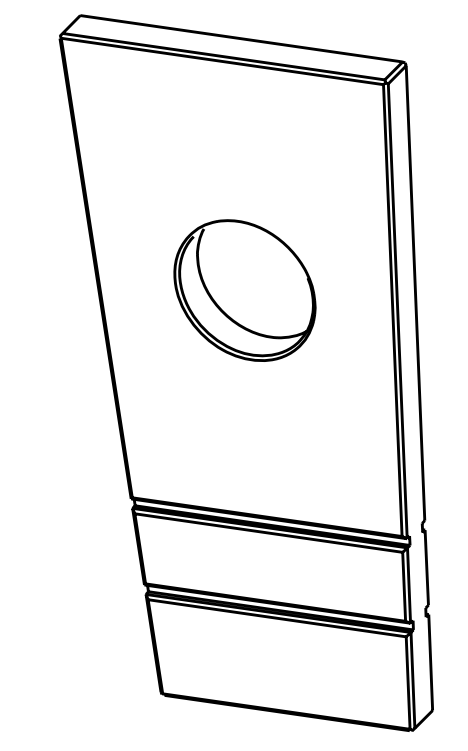
**DETAIL D**  
SCALE 4.00



SCALE 1.00



**SECTION C-C**



**ISOMETRIC VIEW**  
SCALE 0.50

NOTE: DIMENSIONS SHOWN ON THIS SHEET ARE FOR NON-COATED PART  
SEE SHEET 1 FOR ADDITIONAL NOTES AND SPECIFICATIONS

**RELEASED FOR FABRICATION / INSTALLATION**  
PPPL Drafting:

Oak Ridge National Laboratory managed for the DEPARTMENT OF ENERGY under U.S. GOVERNMENT contract DE-AC05-00OR22725 UT-BATTELLE, LLC, Oak Ridge, Tennessee PROJECT NAME							
<b>UT-BATTELLE</b>							
NATIONAL COMPACT STELLARATOR EXPERIMENT							
SINGLE HOLE SHIM PLATE							
VERSION NO.	PLANT	BLDG	FL	SHT OF	TYPE	CLASS	
18	ORNL	5700	3	2	2	S	U
RELEASE LEVEL		SEI40-040				REV	0
Fabrication							

SEI40-040