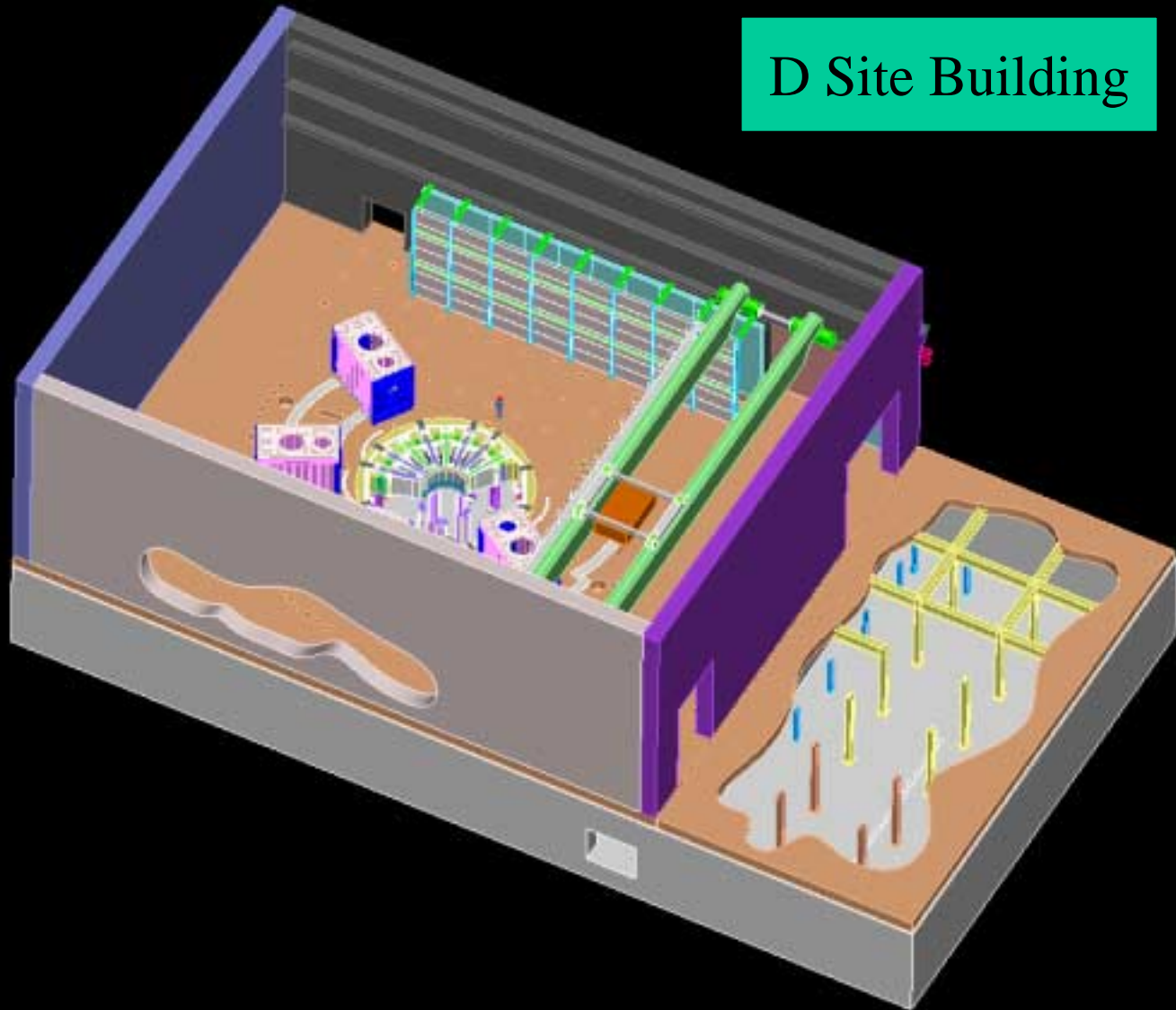
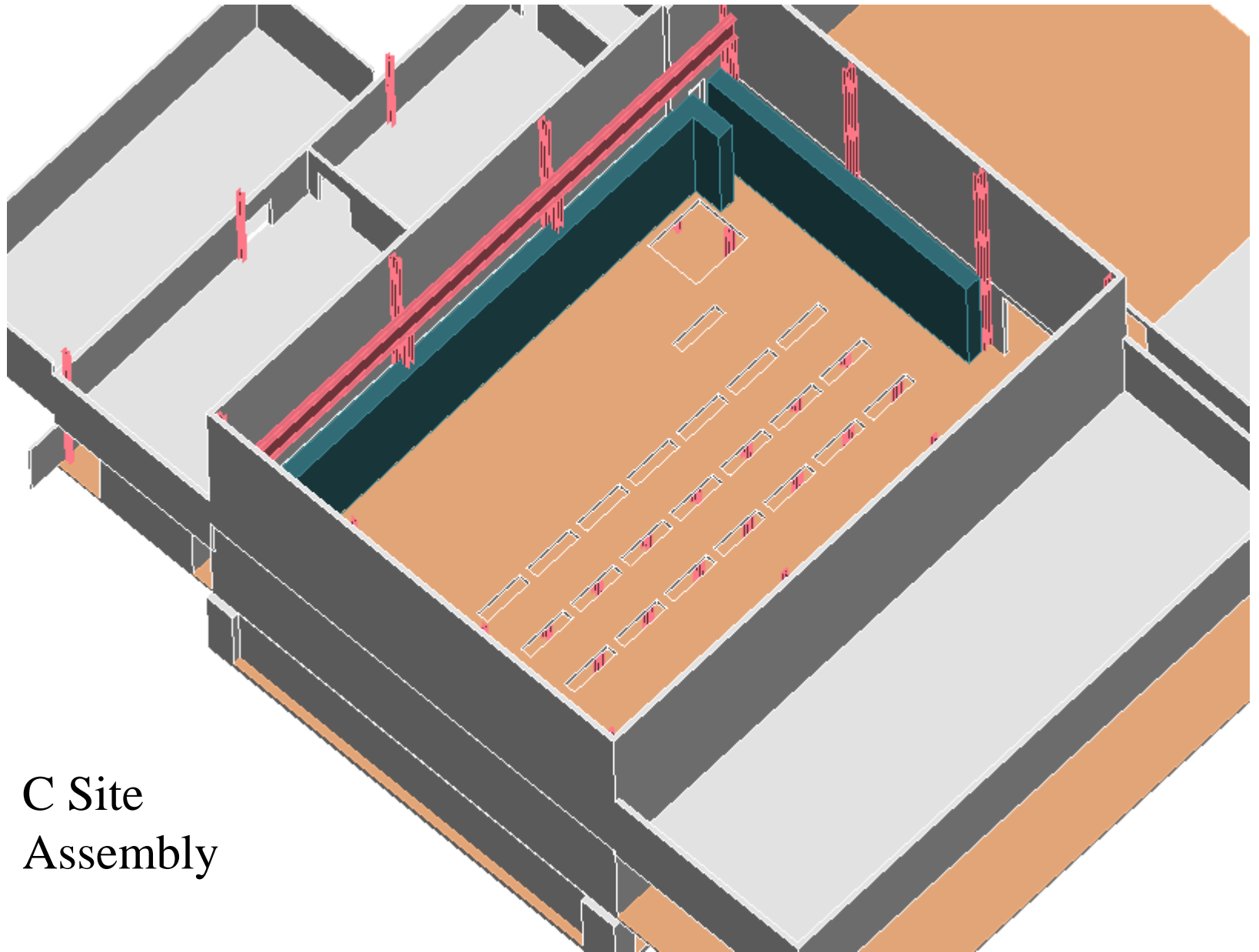


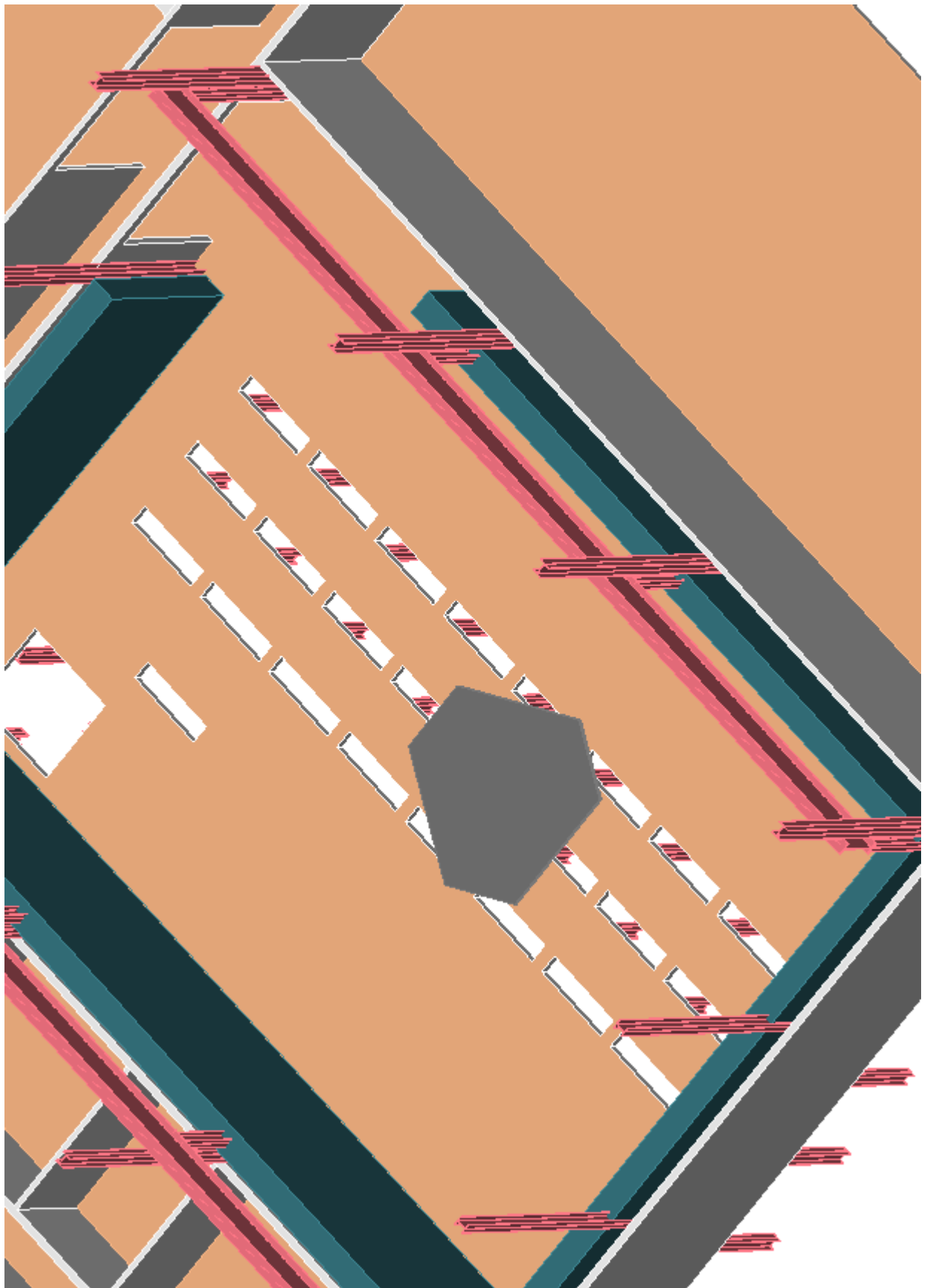
# NCSX Assembly Status

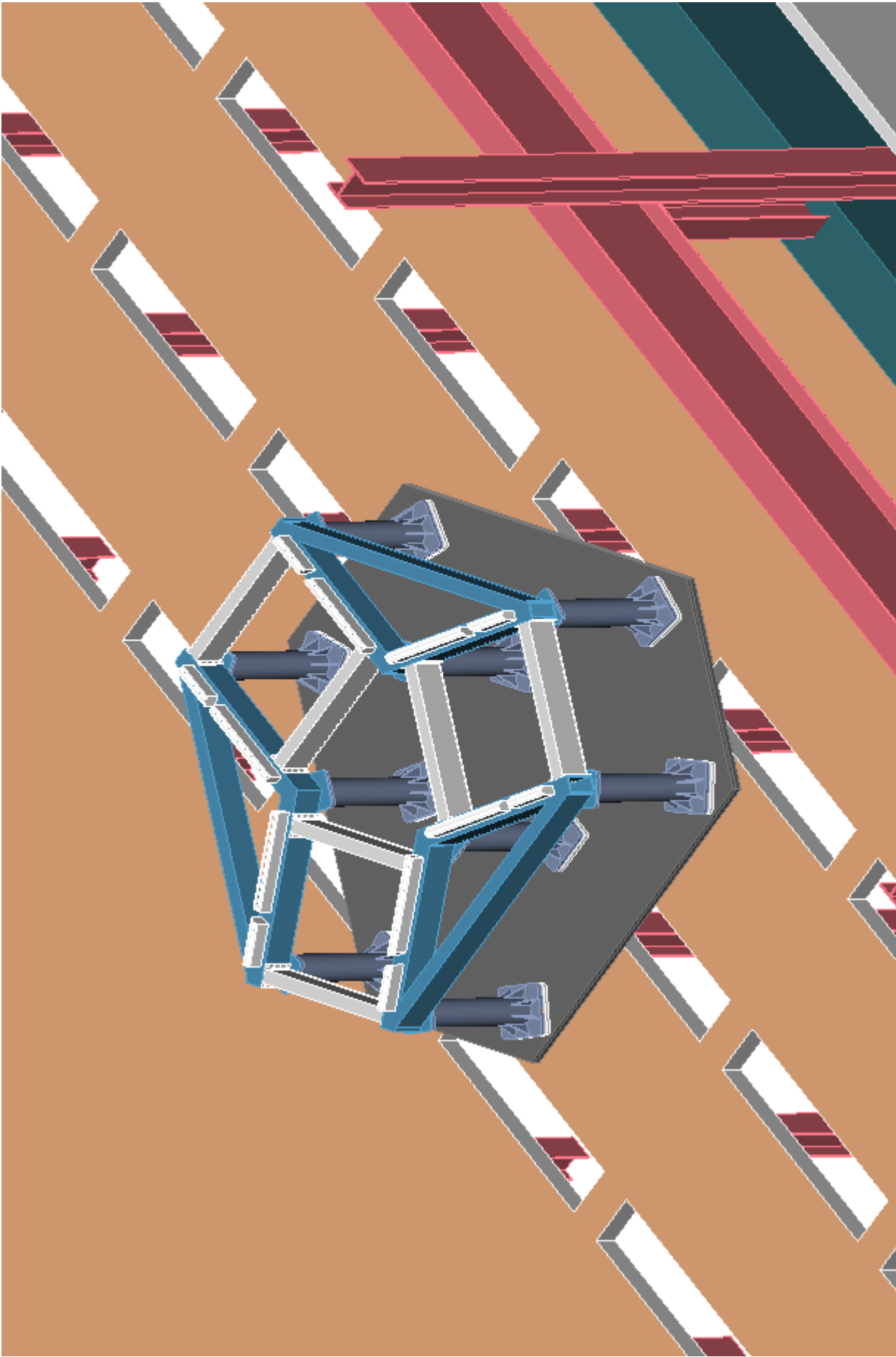
# D Site Building

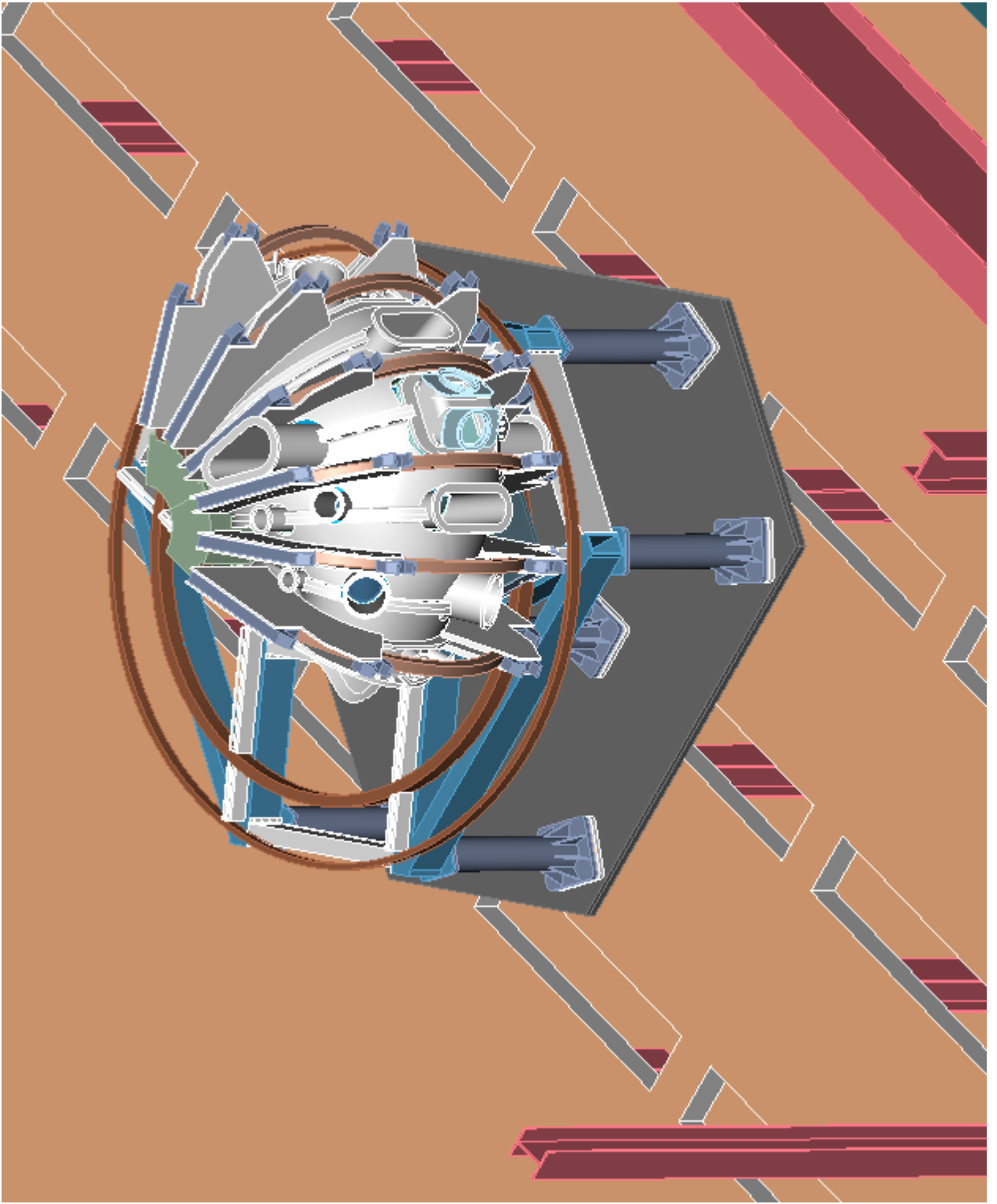


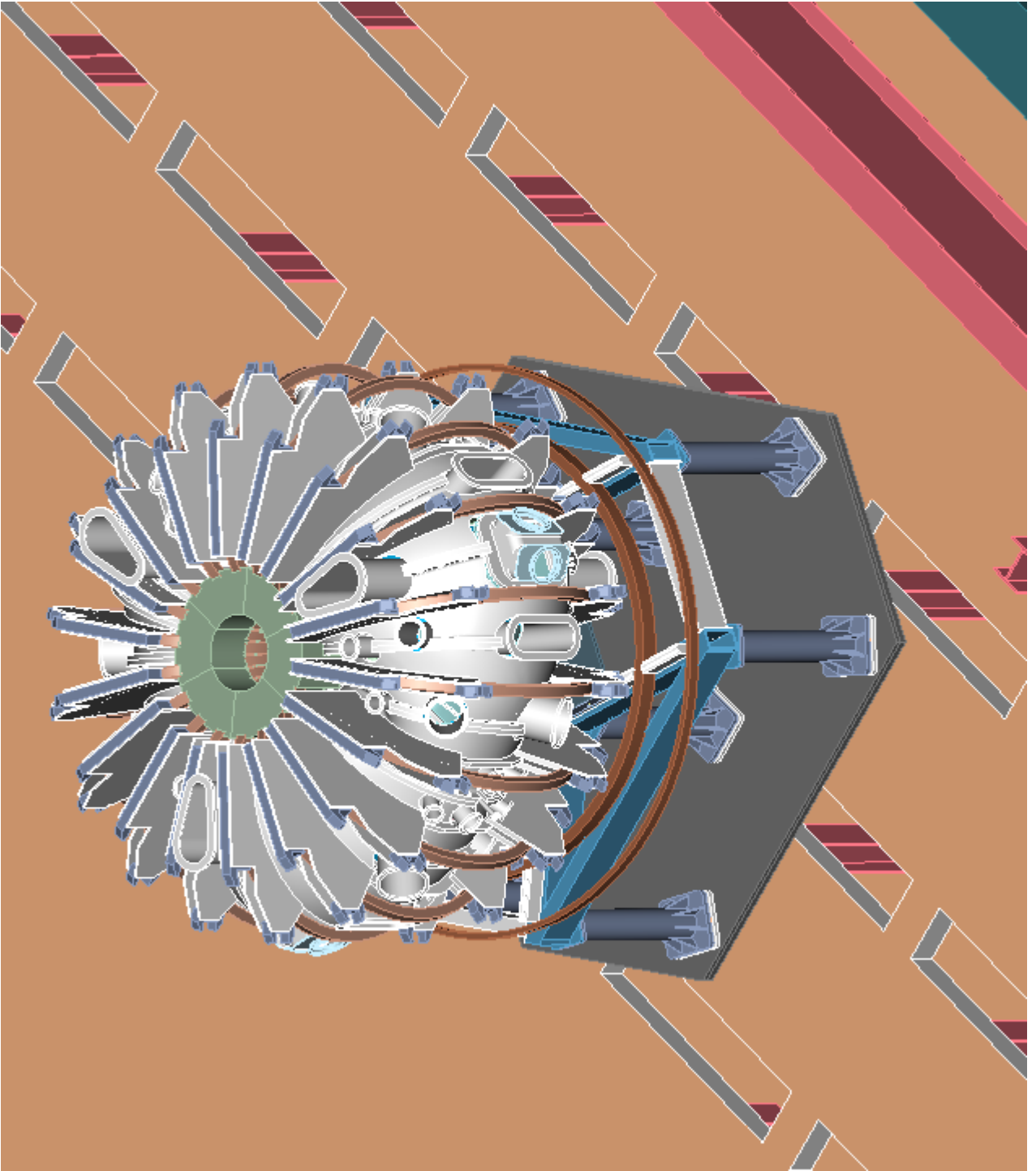


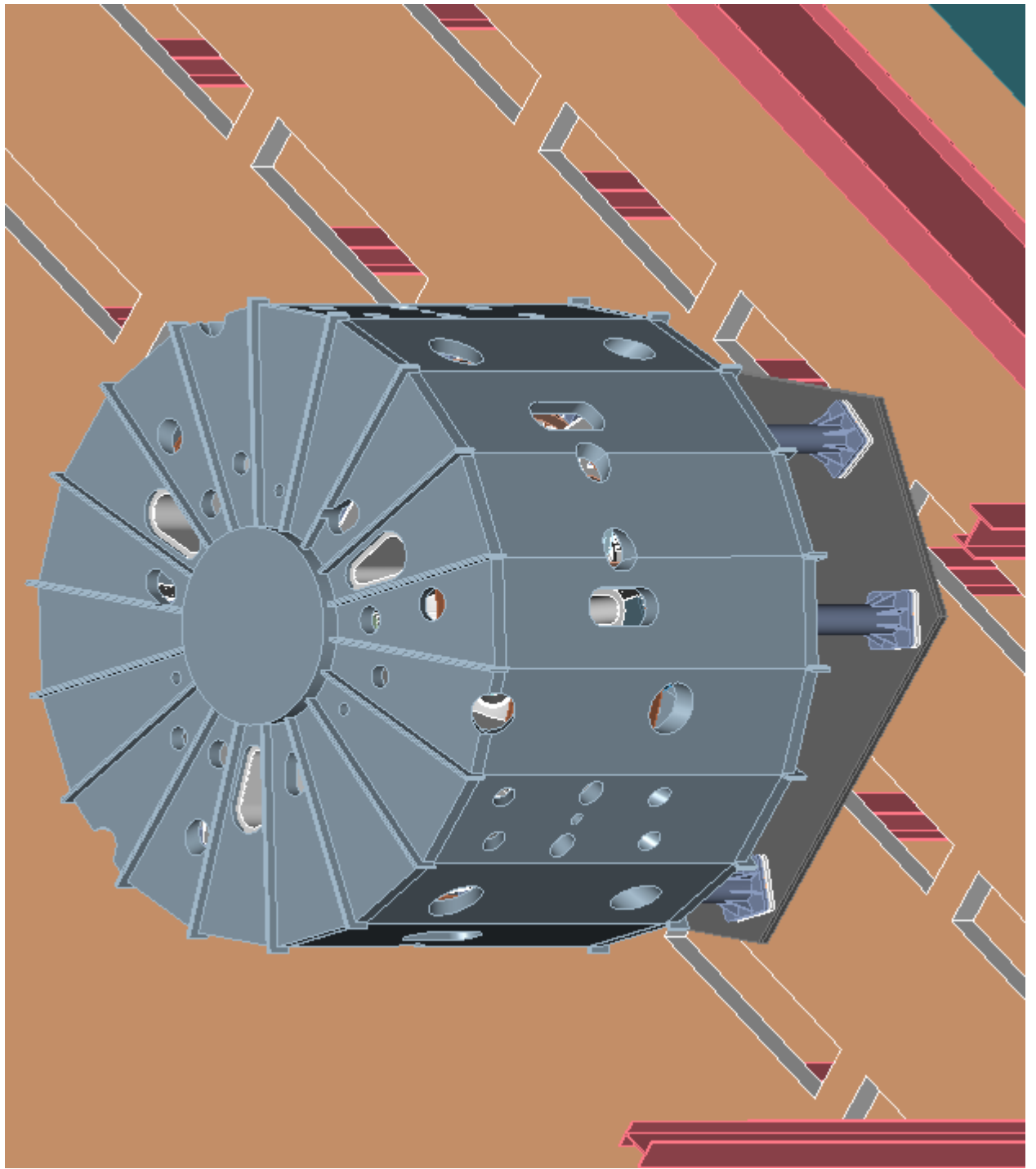
C Site  
Assembly



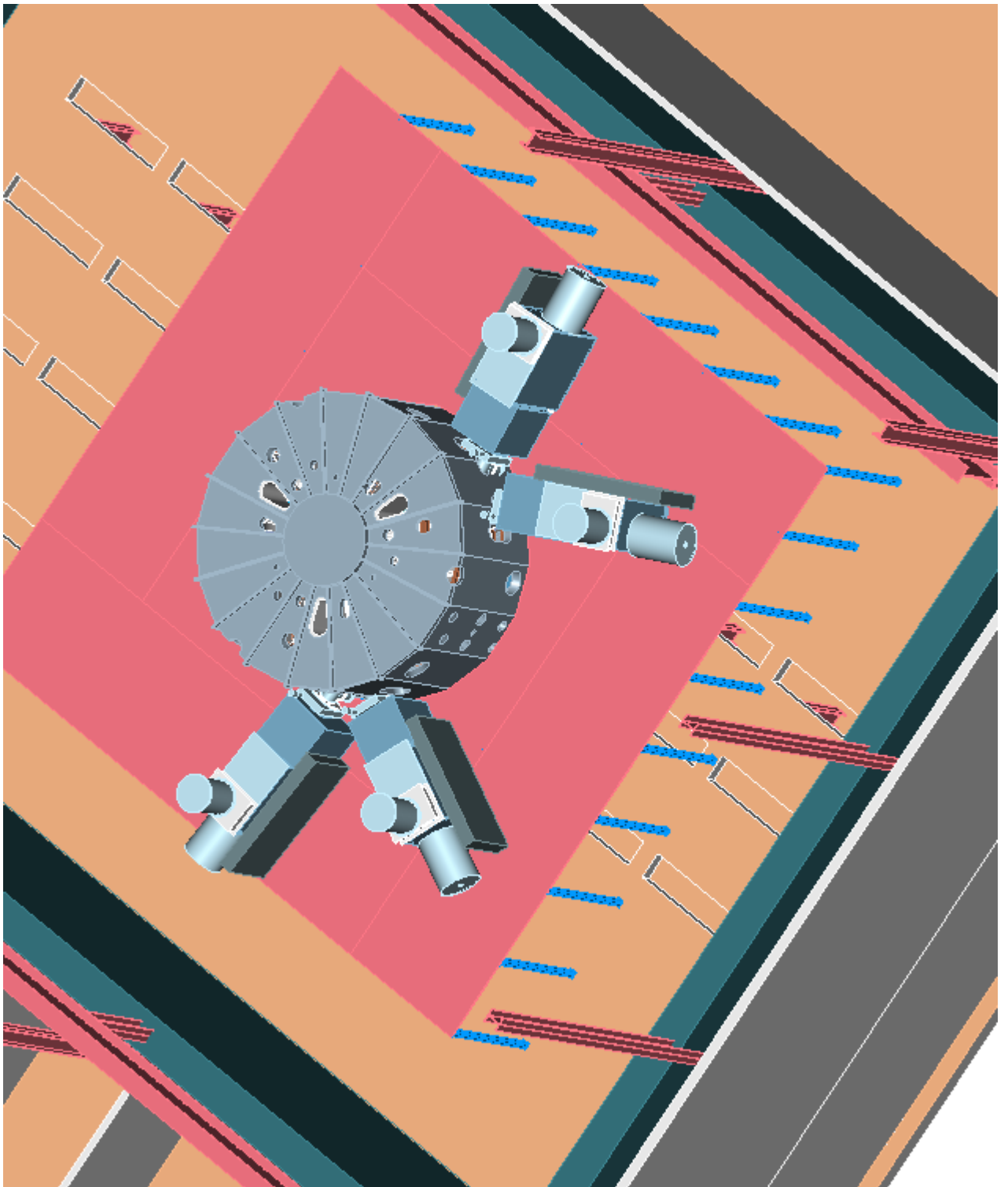




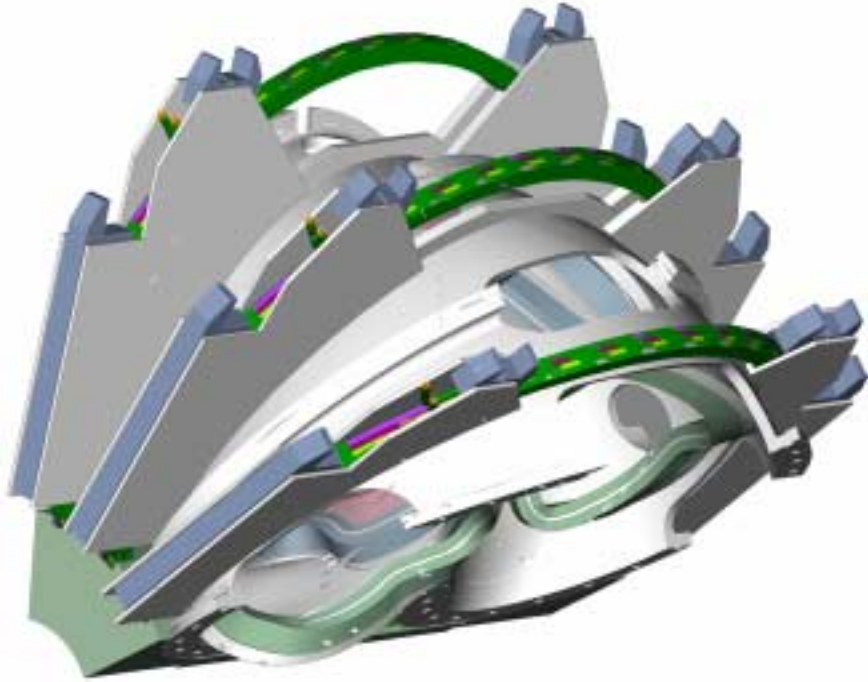




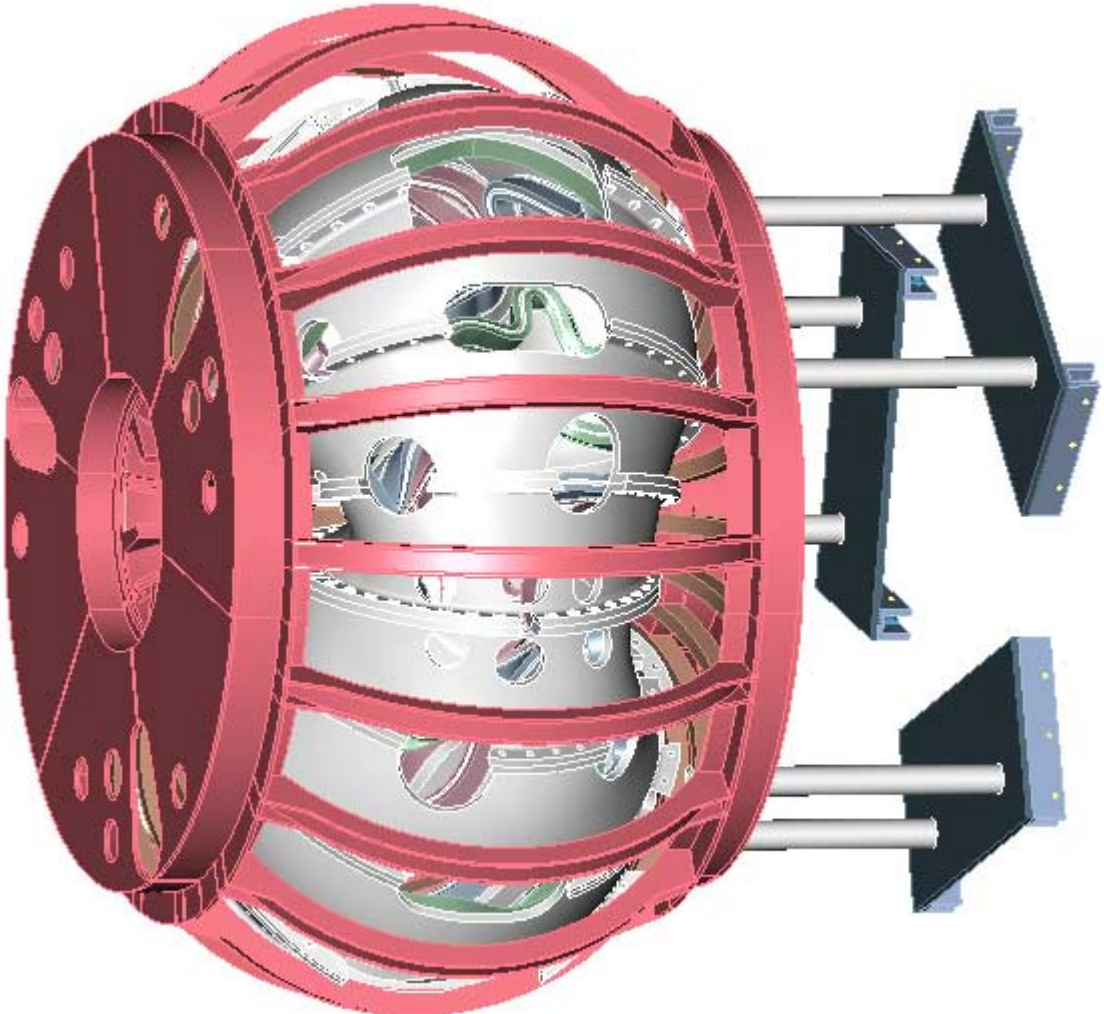


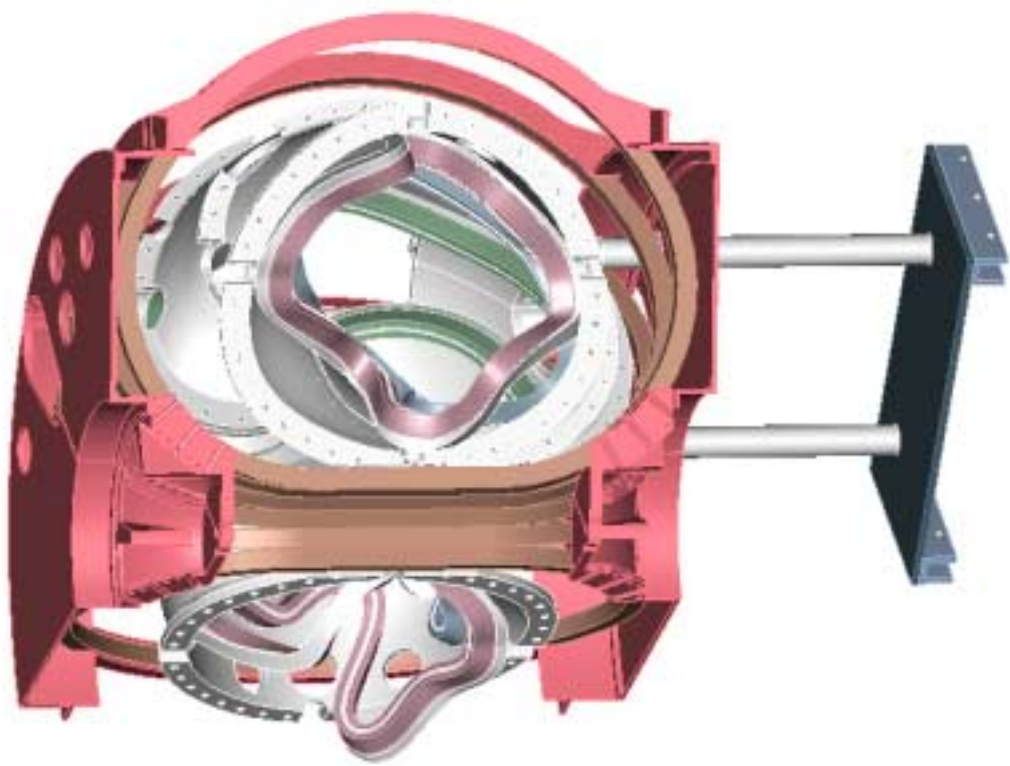


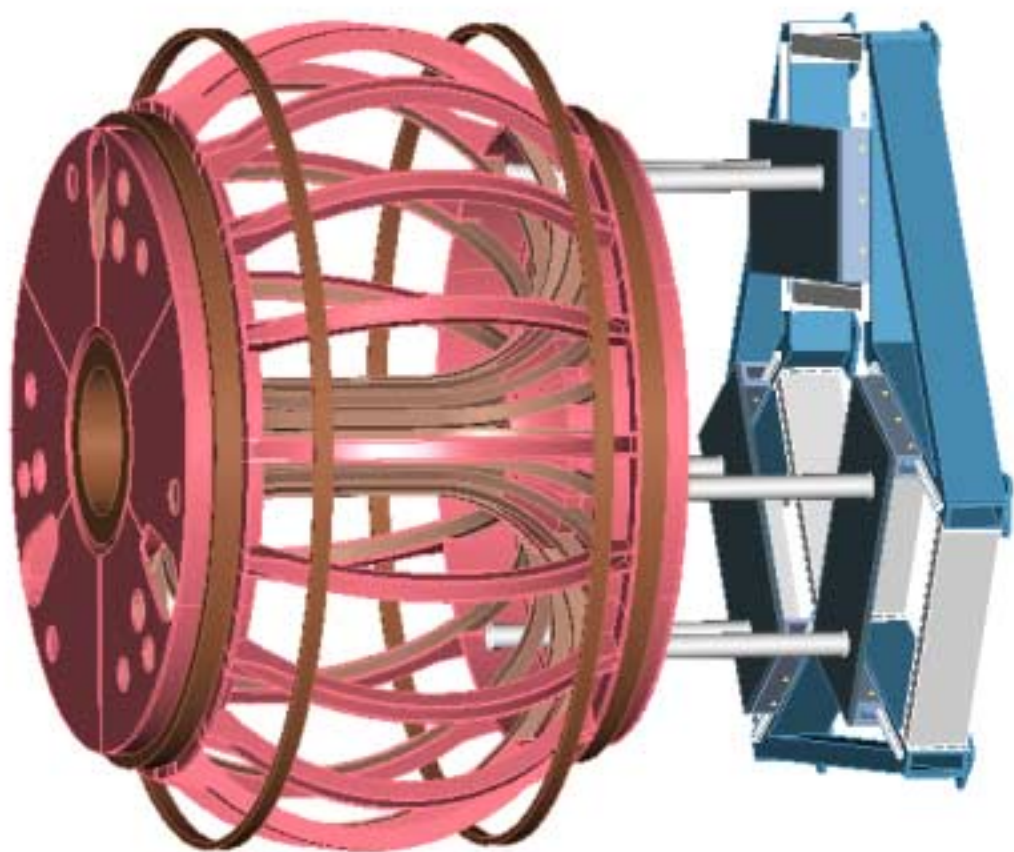
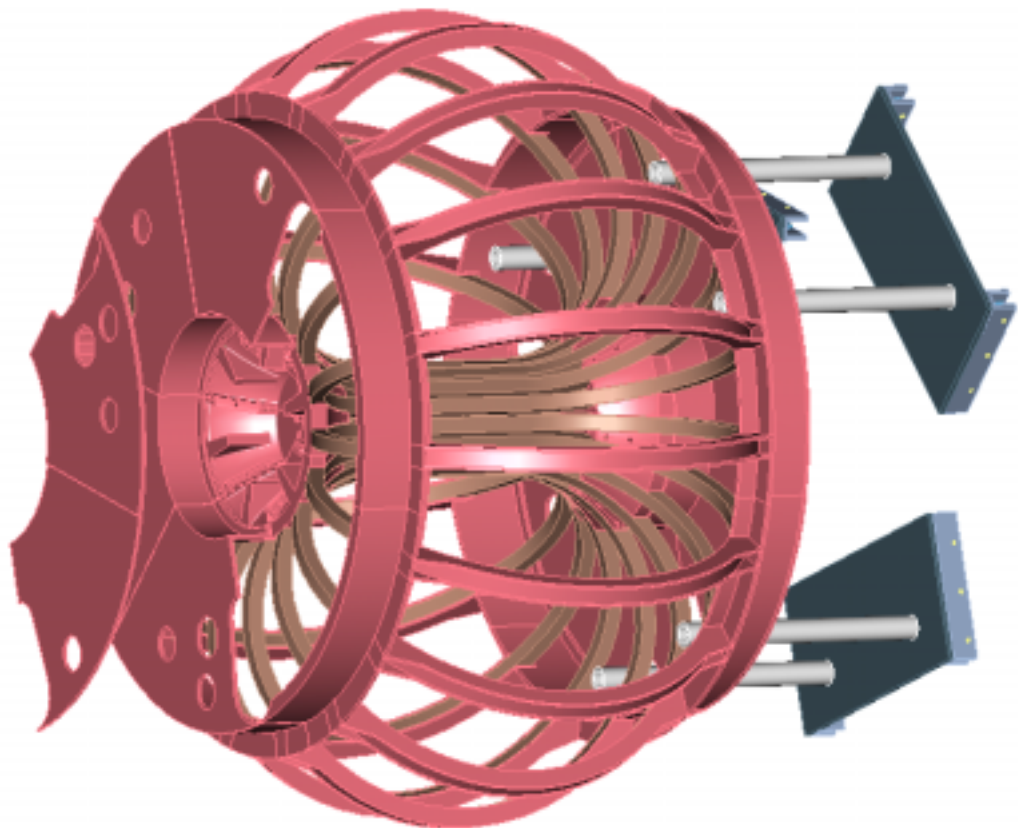
# TF Winding Details



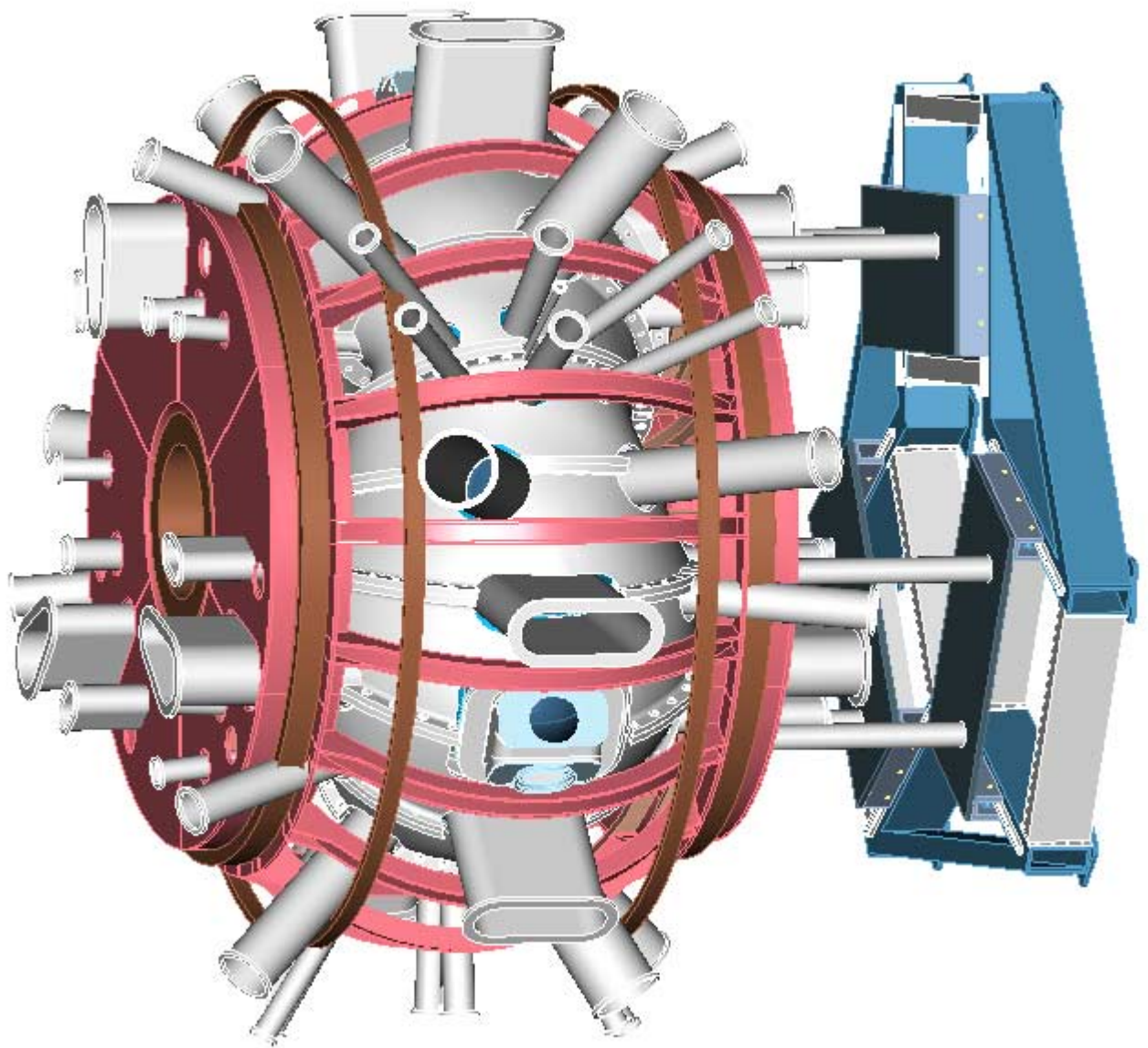
# Alternate TF Support and Thermal Shield Arrangement



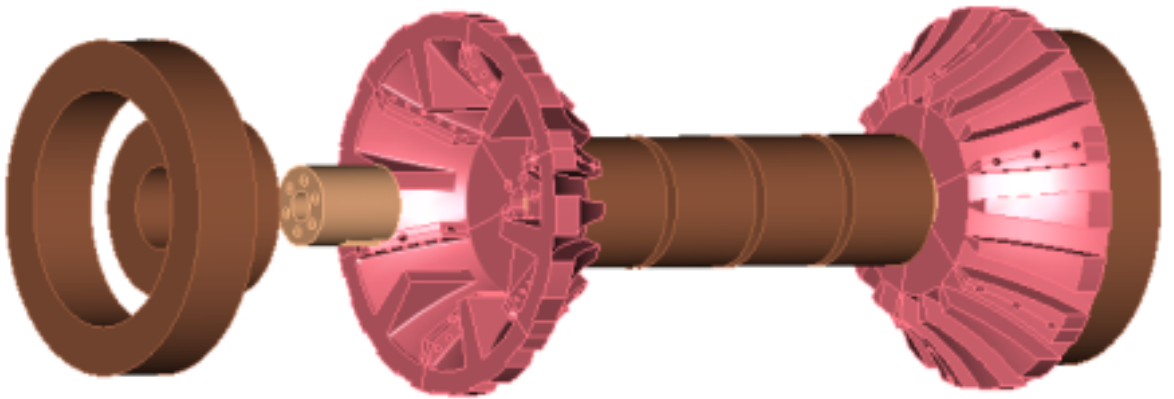
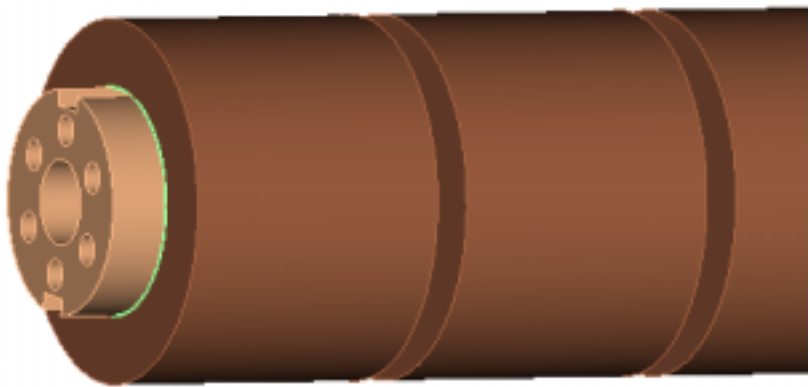
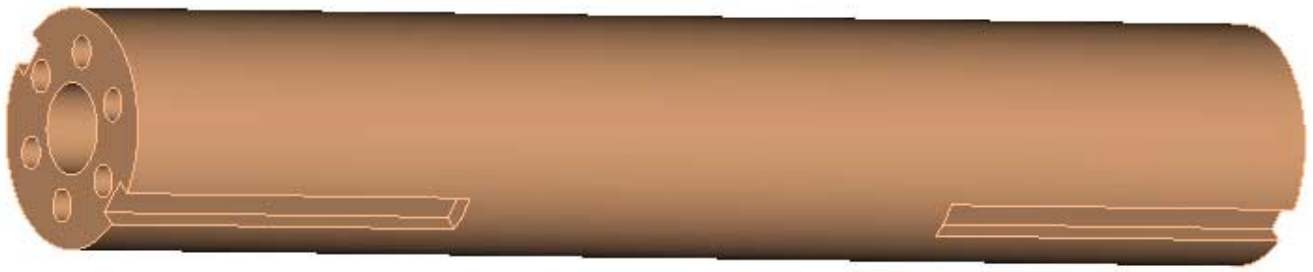




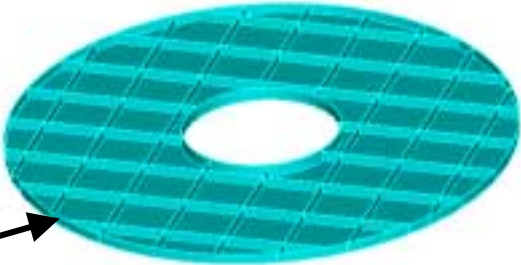
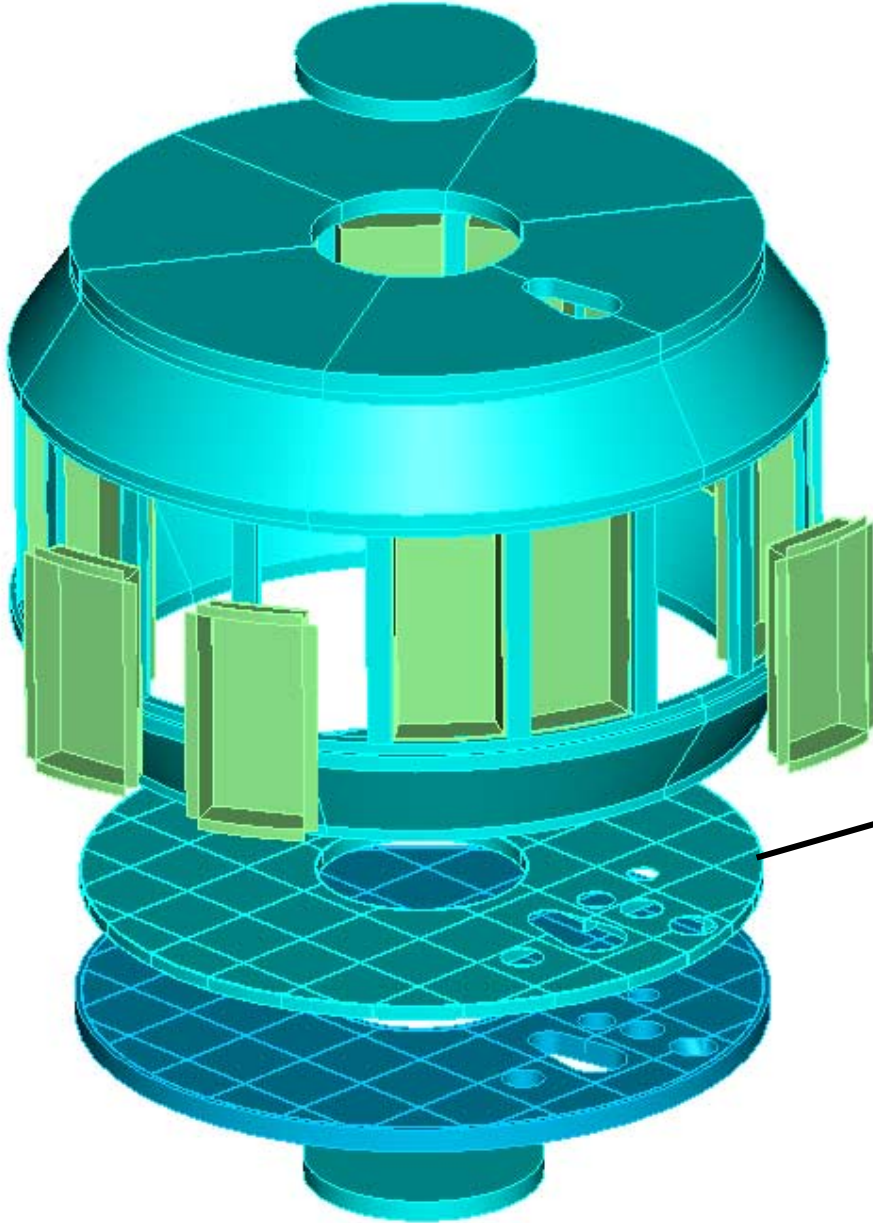




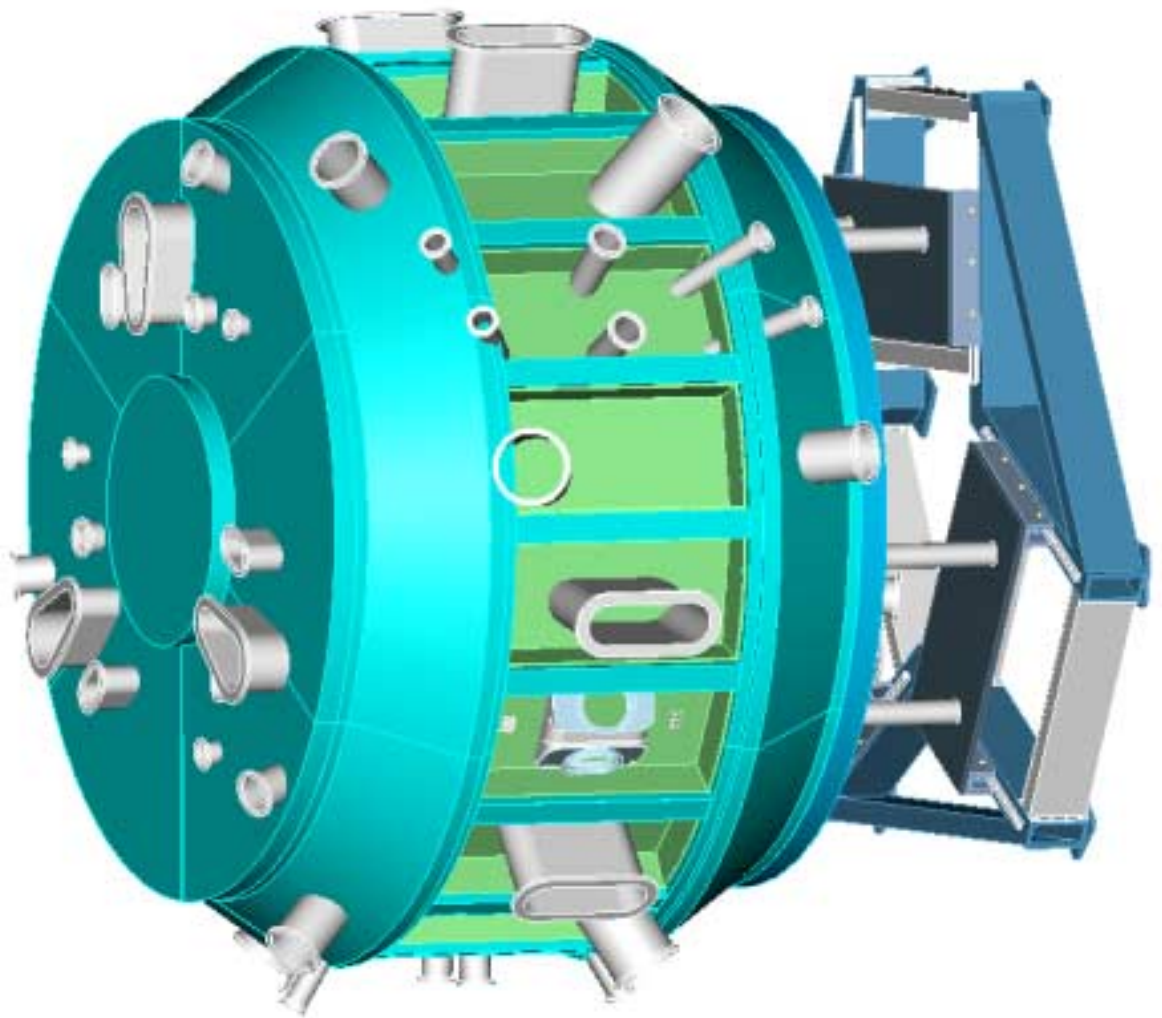


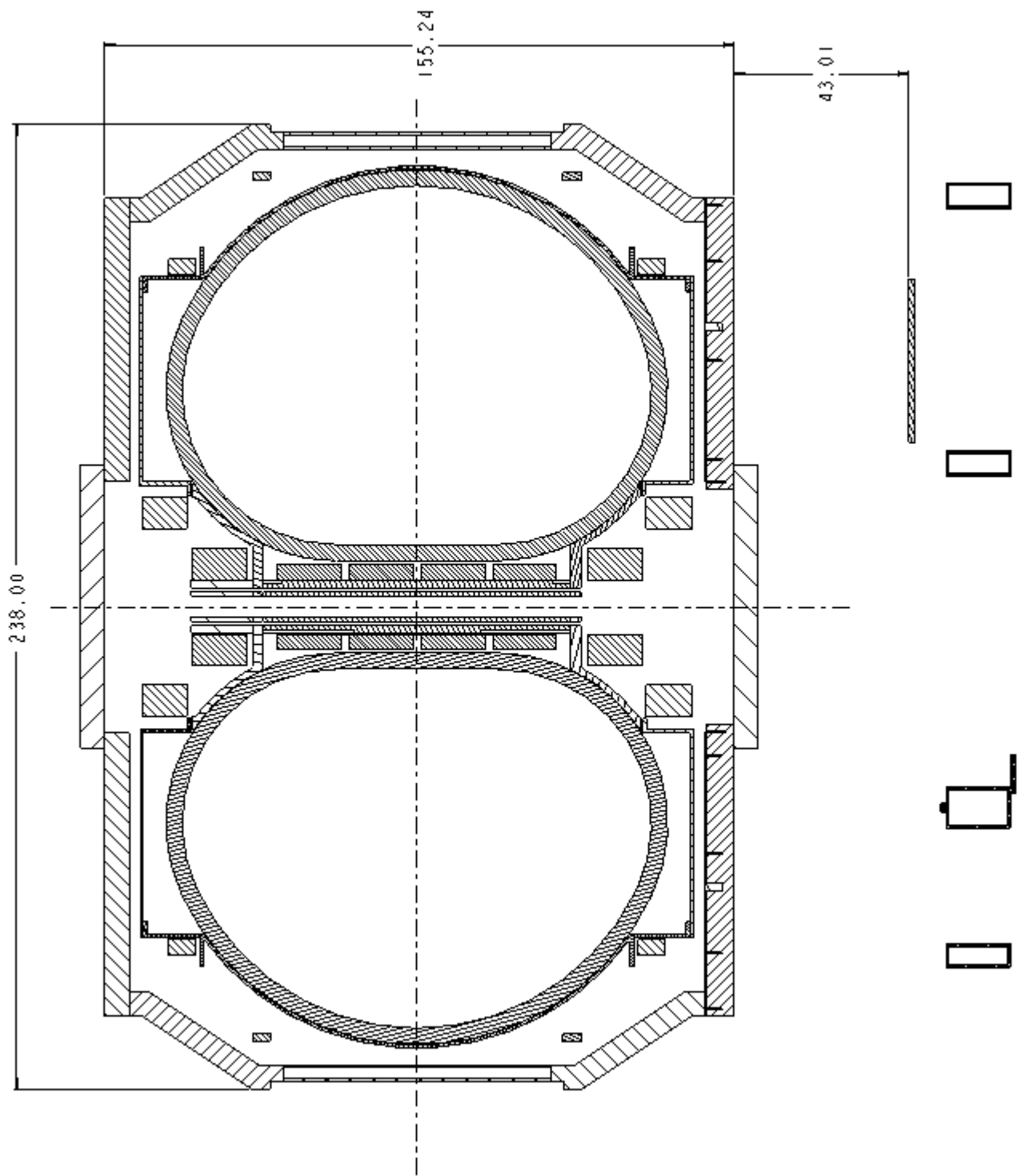


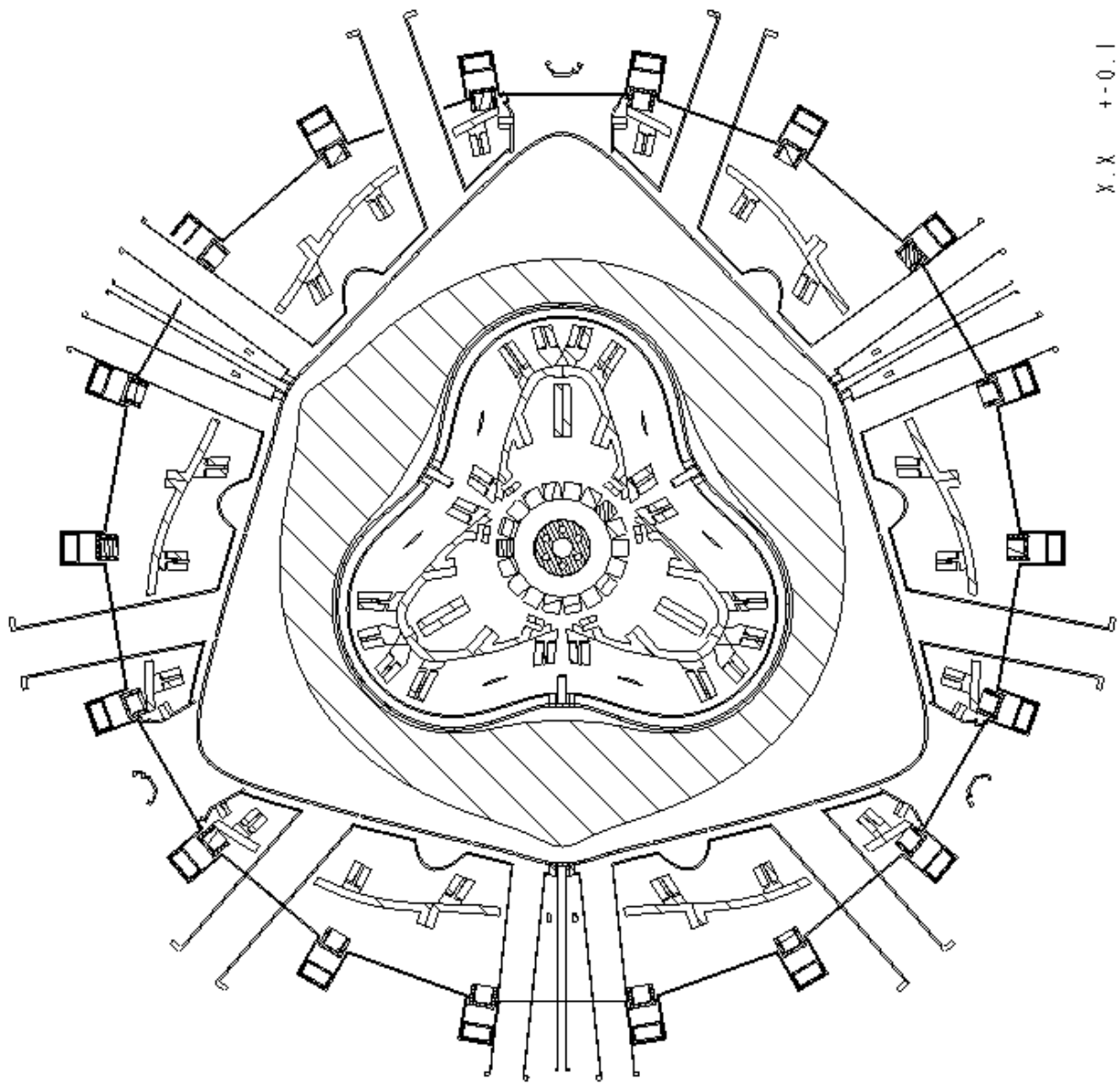
# Thermal Shield Concept



Glass lay-up structure







X.X + -0.1  
X.XX + -0.05