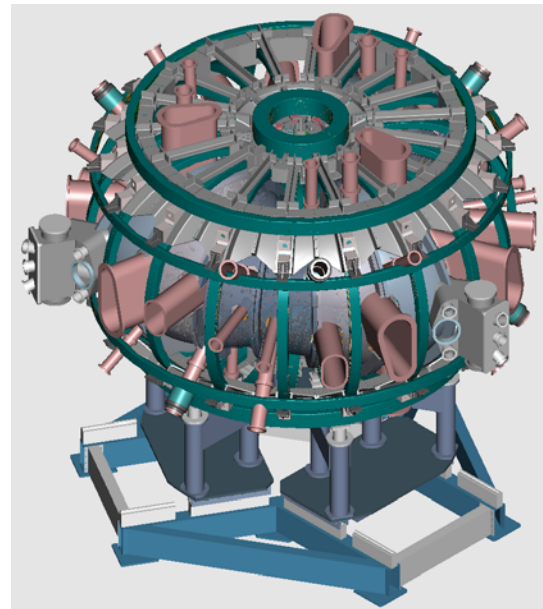


NCSX Engineering Project Meeting

March 21, 2003

Updated 4/9/03

WBS 1 Integration Status

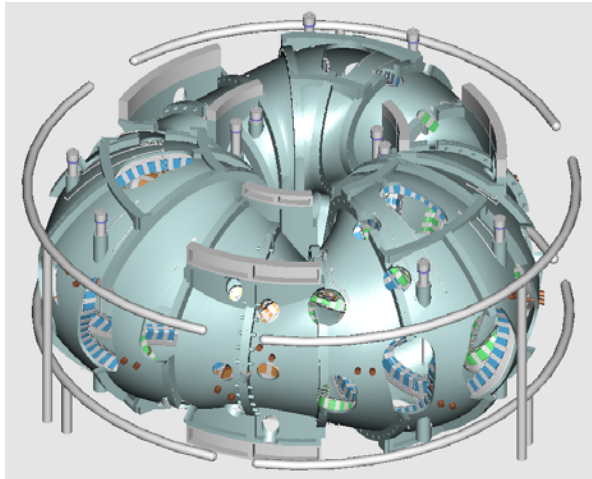


AGENDA

- Modular Coils
- Vacuum Vessel
- TF Coils
- PF Coils
- Cryostat
- Base
- ICRH Antenna
- Neutral Beams
- Stellarator Core Systems

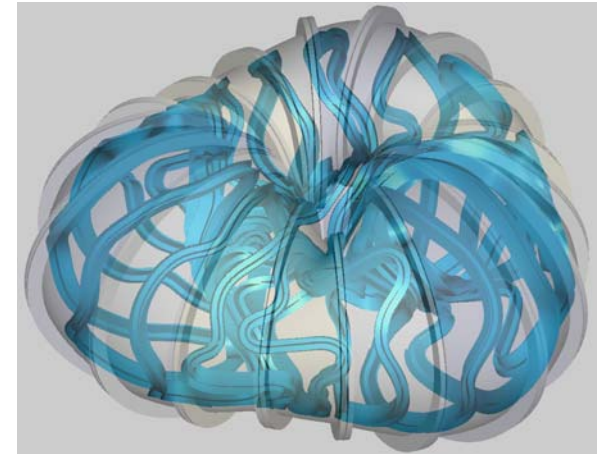
Modular Coils

CDR



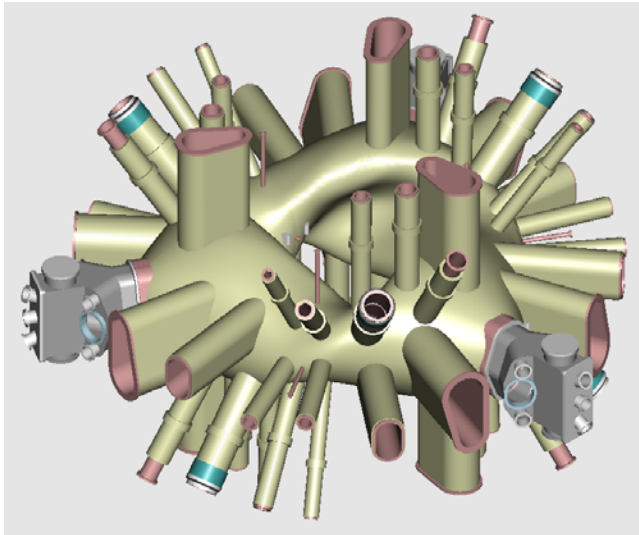
PDR

- **Updating to M50 Concept**
- **Current concept has been assembled into Core Assembly**



Vacuum Vessel

CDR

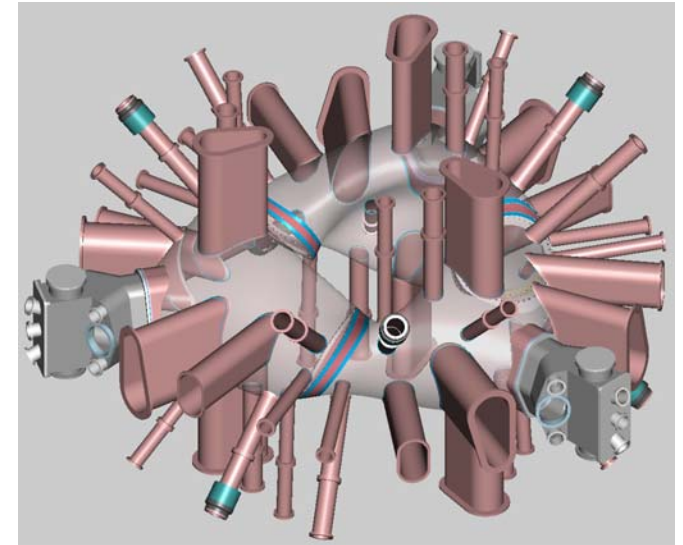


PDR

- **Developing vacuum vessel shell surface**

- **Ports have been remodeled to reduce size and changes in no.**

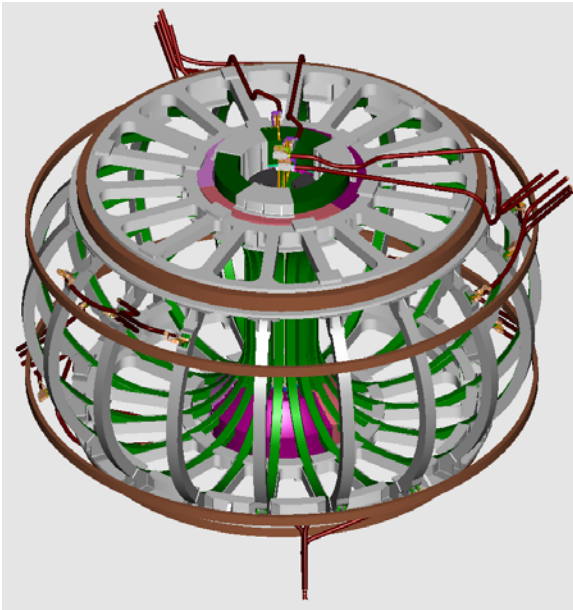
- **Updating as new models are available.**



TF Coils

CDR

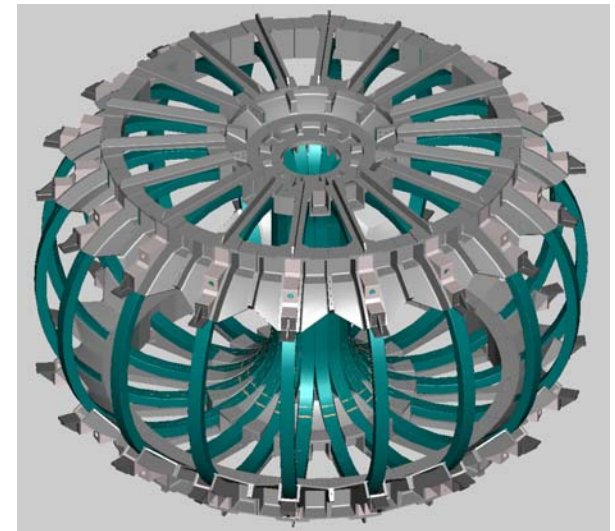
PDR



- Update of TF Coils have been added to the Core Systems.

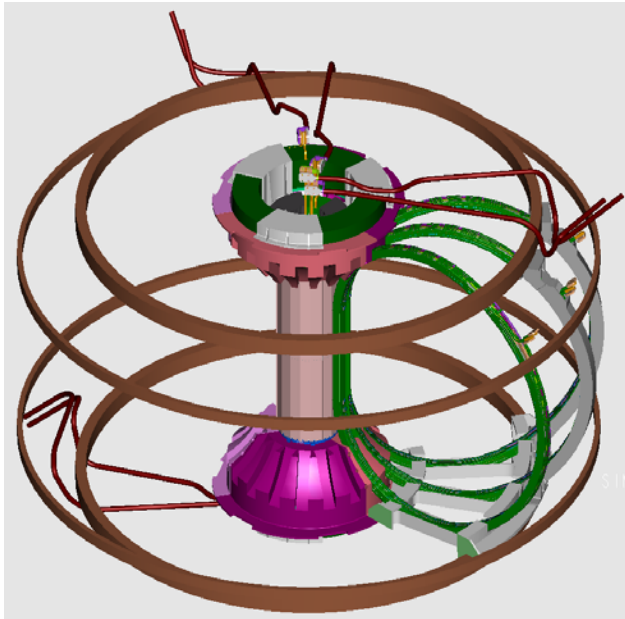
- Interferences between mod coils and TF coils are being studied

- Interface between base support and TF coil support coordinated with Tom



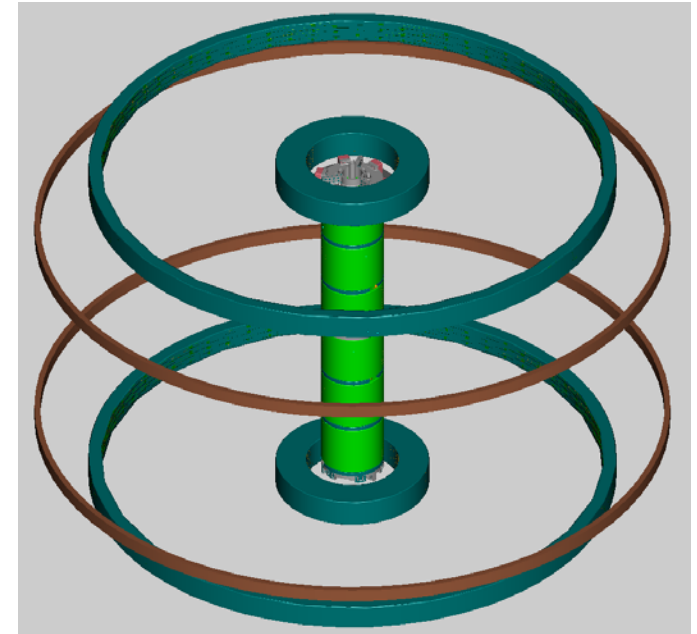
PF Coils

CDR



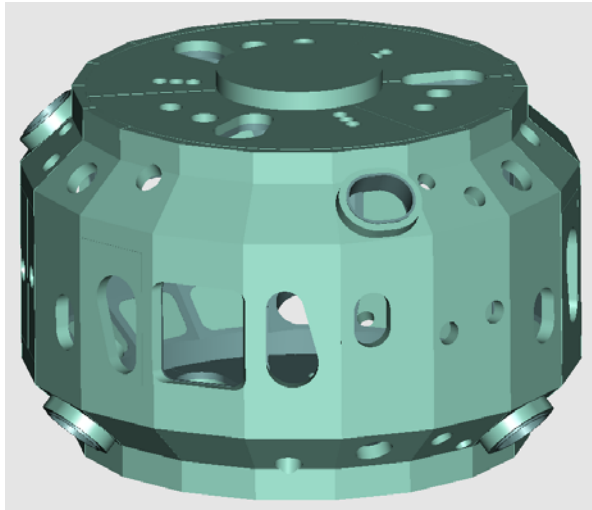
PDR

- **Current concept has been assembled into Core Assembly**

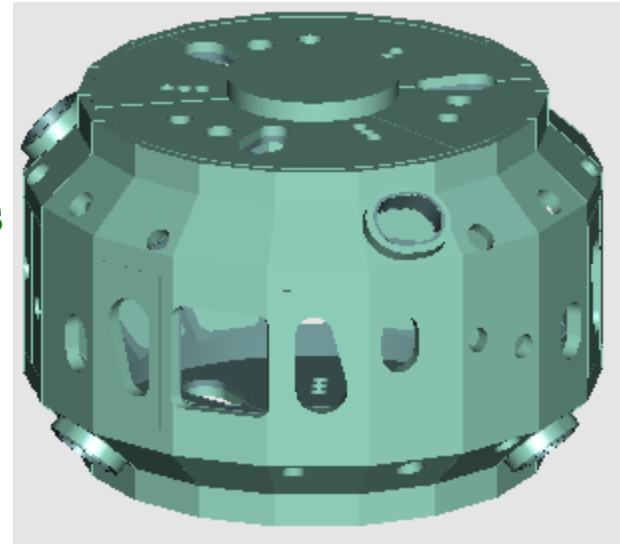


Cryostat

CDR



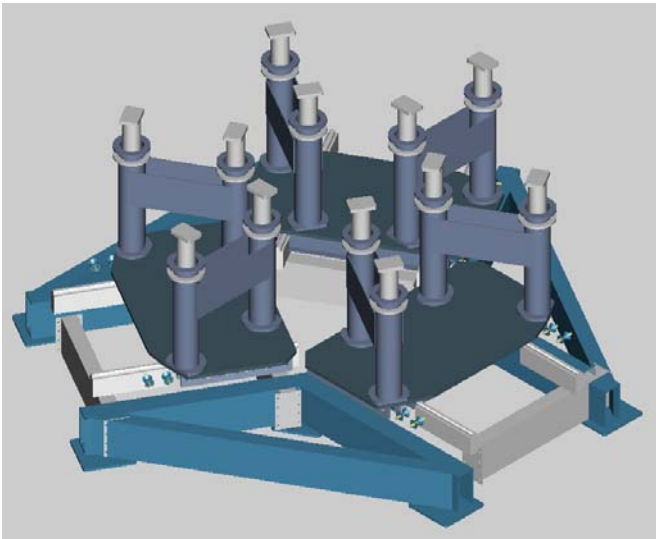
PDR



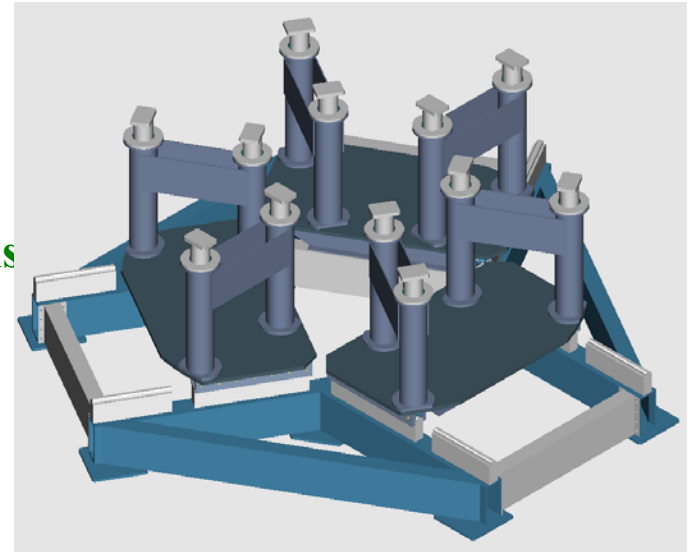
- Renamed models and placed in intralink
- Updated port configuration to current design

Base

CDR



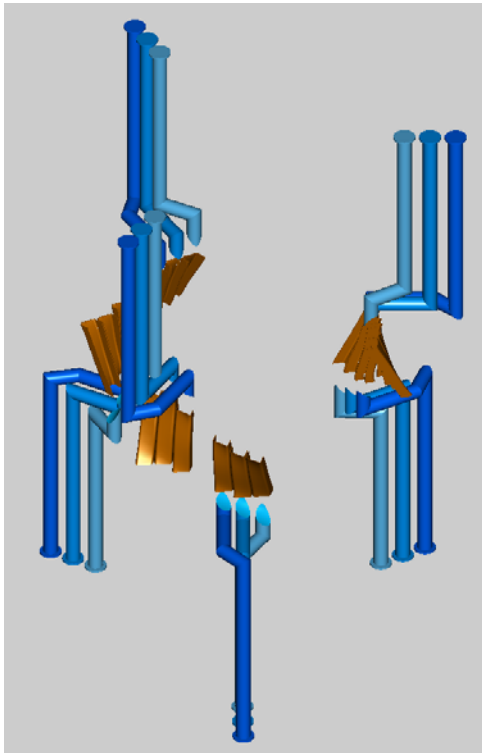
PDR



- **Renamed models**
- **Positioned relative to TF Support Struct**

ICRF Antenna

CDR

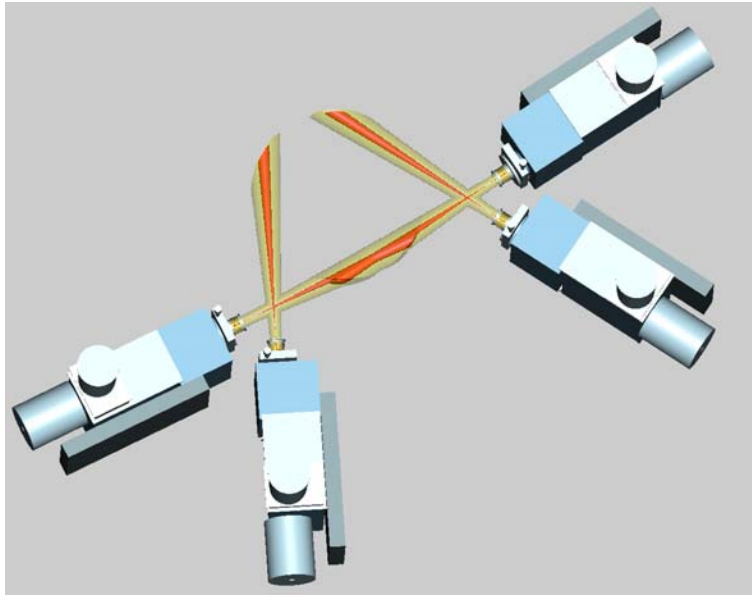


PDR

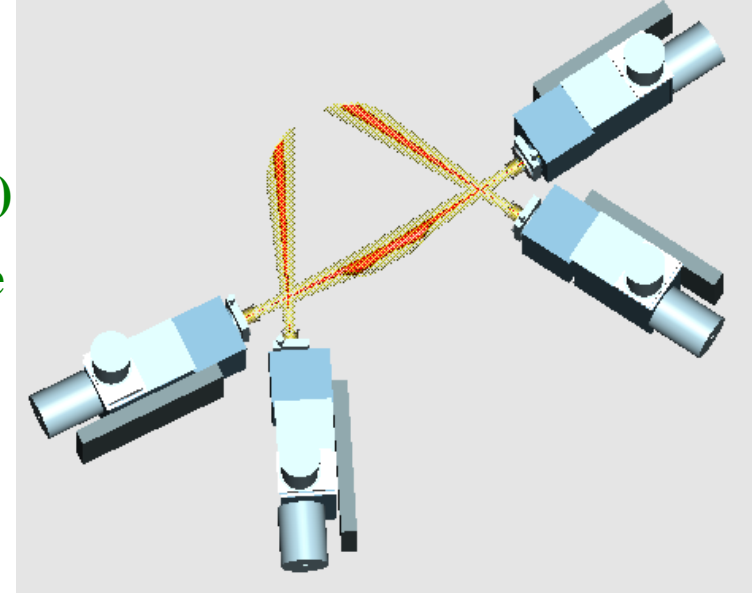
- **Holding for more detail on mod coils and vacuum vessel.**

Neutral Beams

CDR



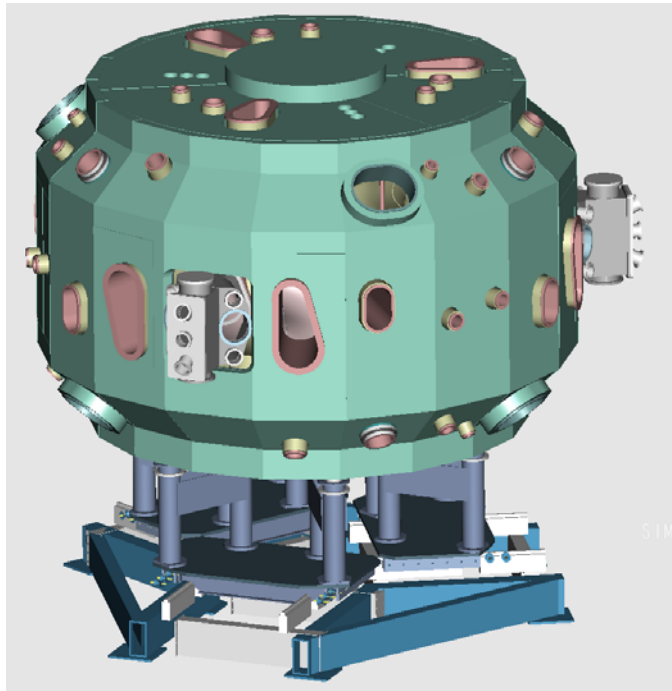
PDR



- NB have been renamed (PPPL)
- Added to Core Assy

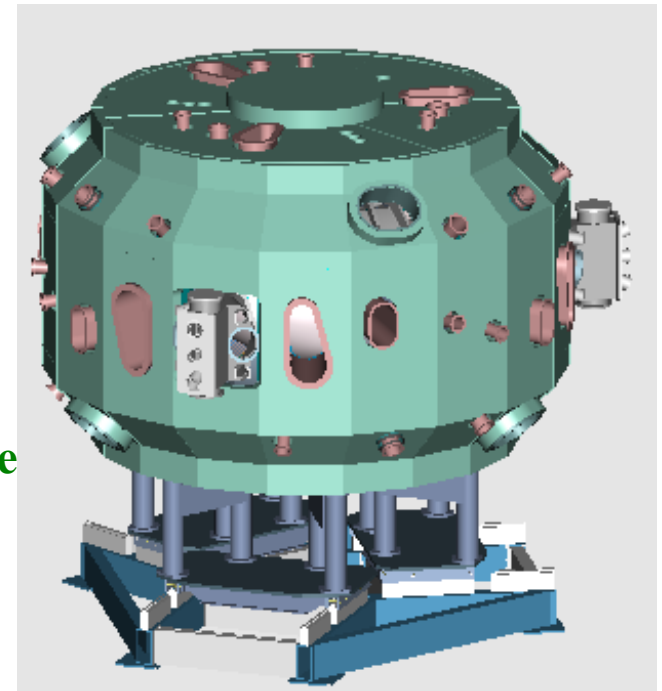
Stellarator Core Systems

CDR



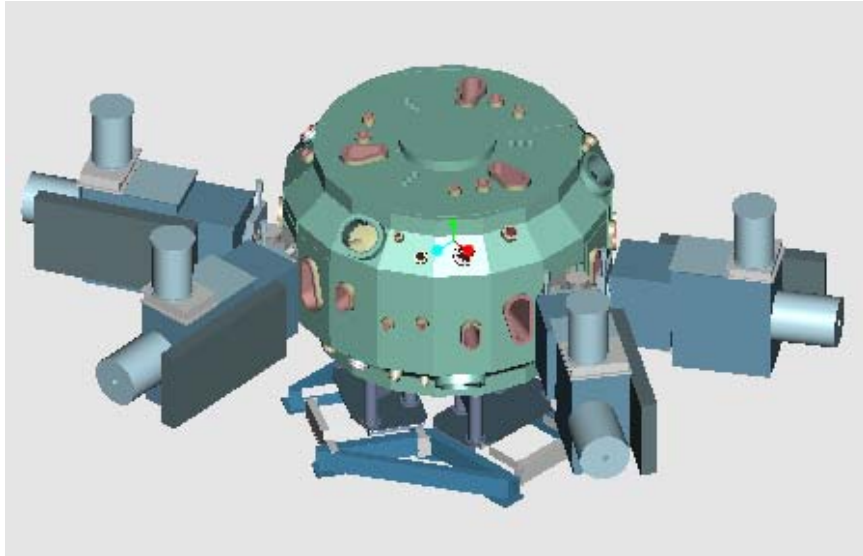
PDR

- **Updating new models as they are developed**
- **Need to start updating assembly procedure (coordinate with E. Perry)**
- **Checking for interference as new models are assembled.**

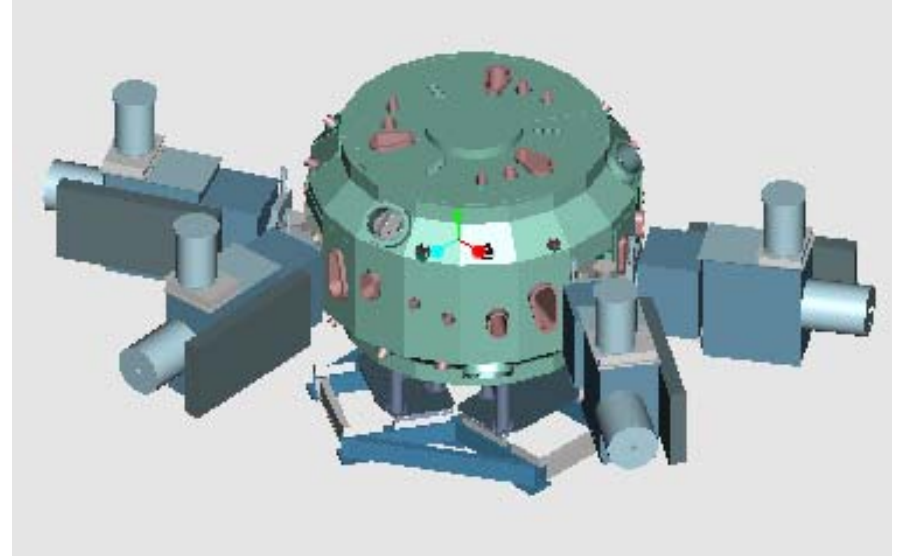


Stellarator Core And Neutral Beam

CDR



PDR



- **Added NB to Assembly**
- **NB not part of Core but added for information**