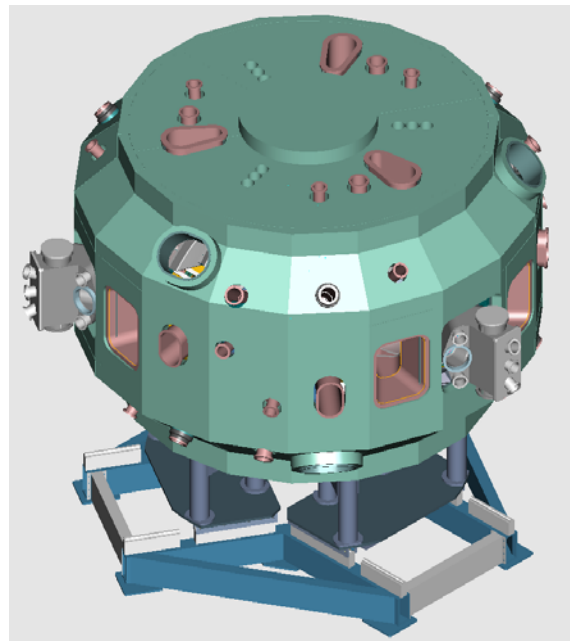


# NCSX Engineering Project Meeting

March 21, 2003

Updated 5/07/03

## WBS 1 Integration Status



# AGENDA

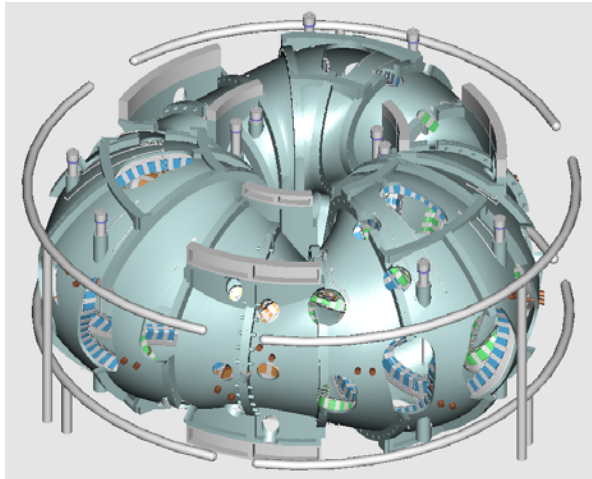
---

- Modular Coils
- Vacuum Vessel
- TF Coils
- PF Coils
- Cryostat
- Base
- ICRH Antenna
- Neutral Beams
- Stellarator Core Systems

# Modular Coils

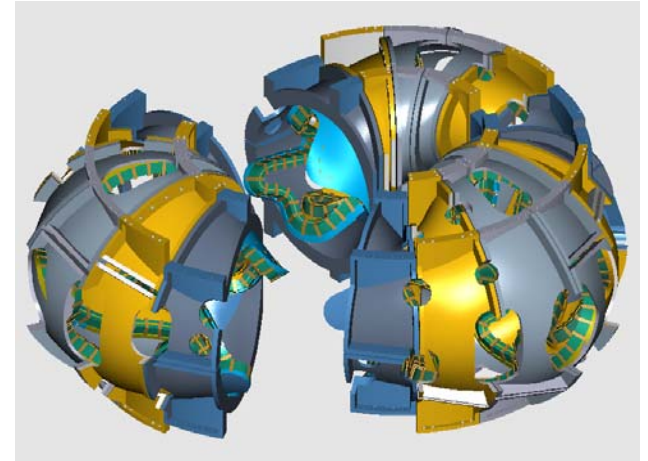
---

CDR



PDR

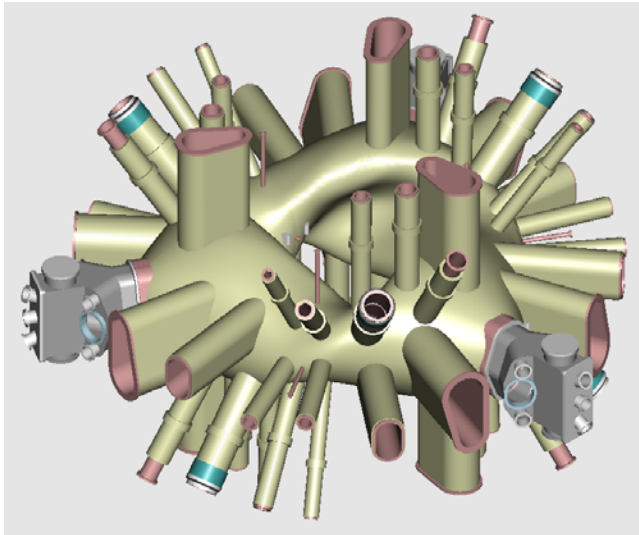
- **Current model represents Z01 configuration**



# Vacuum Vessel

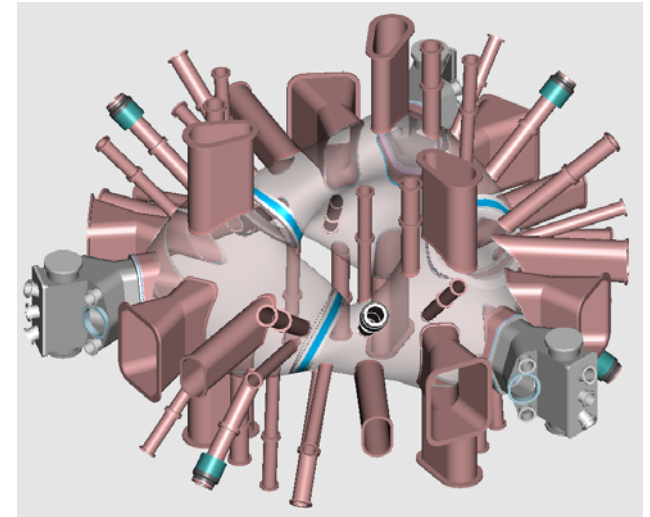
---

CDR



PDR

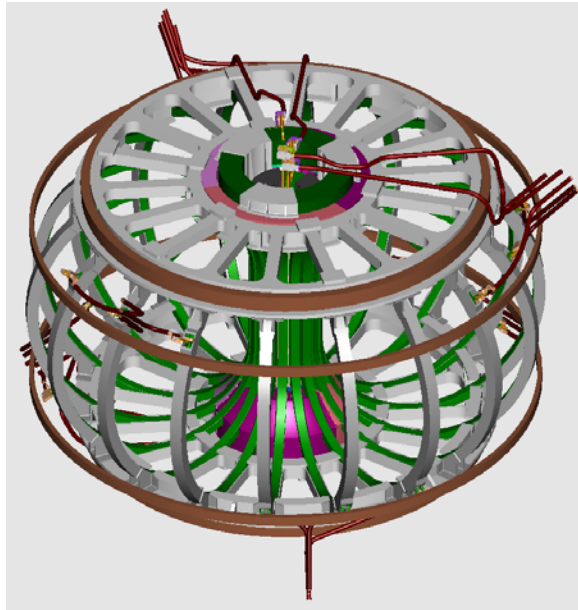
- Vacuum vessel configuration has been updated with new vv shell surface
- Currently working on spacer bolting and vv supports



# TF Coils

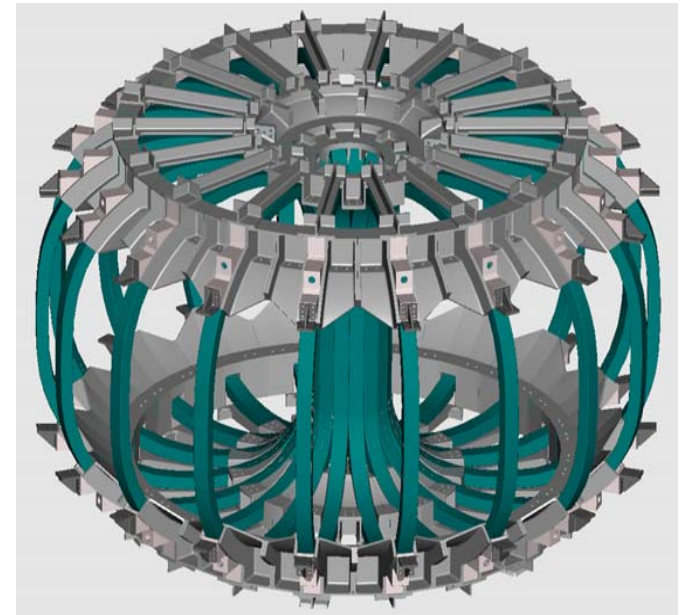
---

CDR



PDR

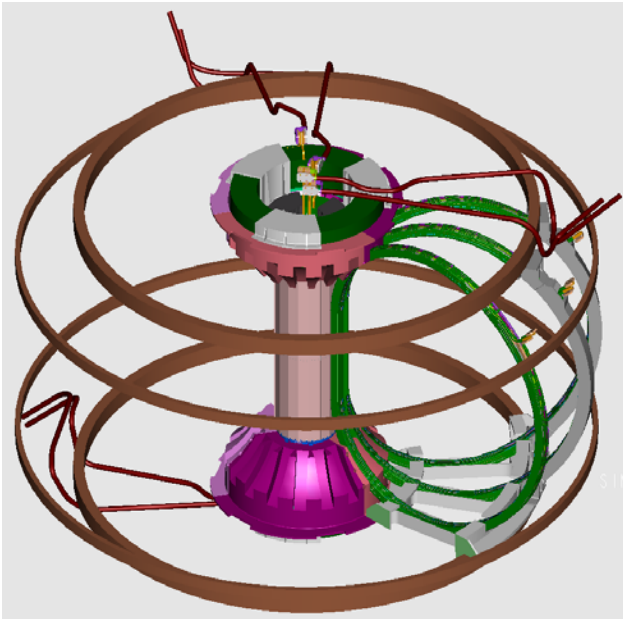
- **TF coils have been updated with new configuration for coils**



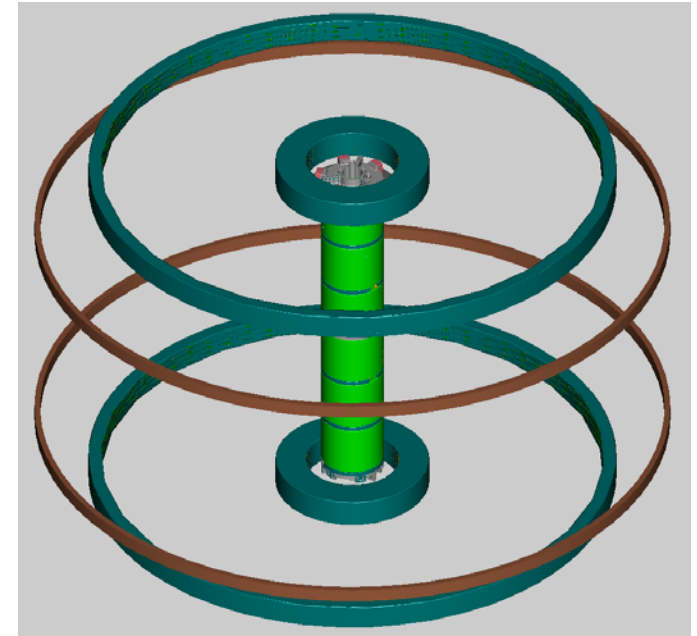
# PF Coils

---

CDR



PDR

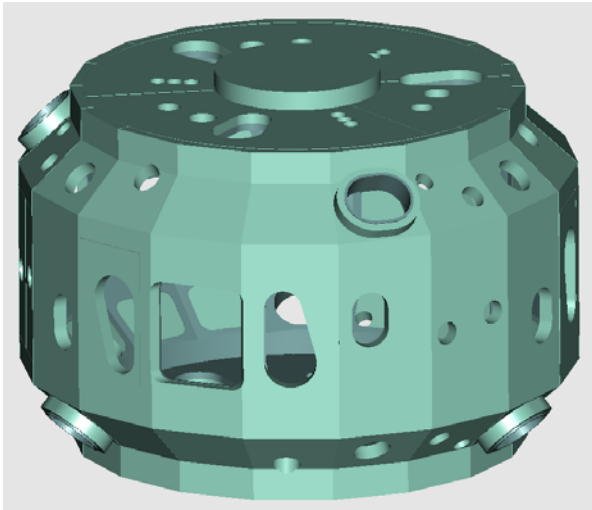


- No changes since last update

# Cryostat

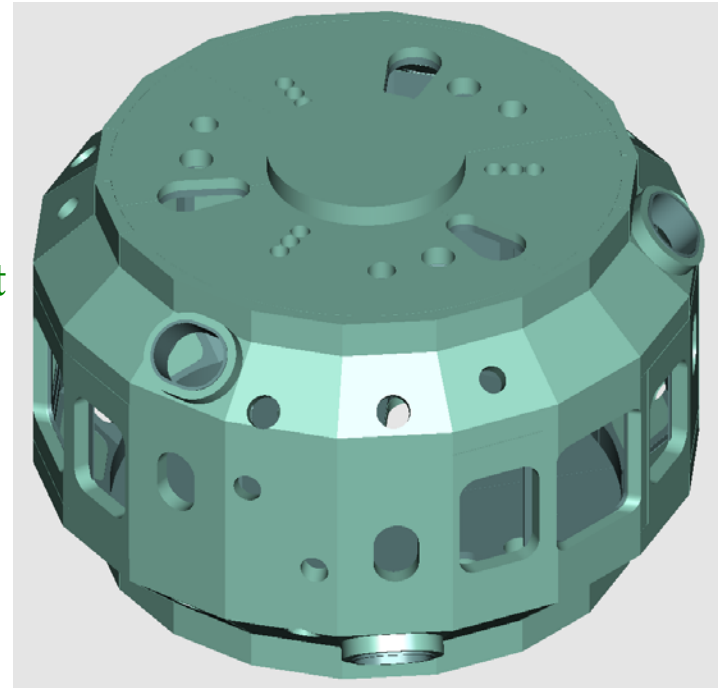
---

CDR



PDR

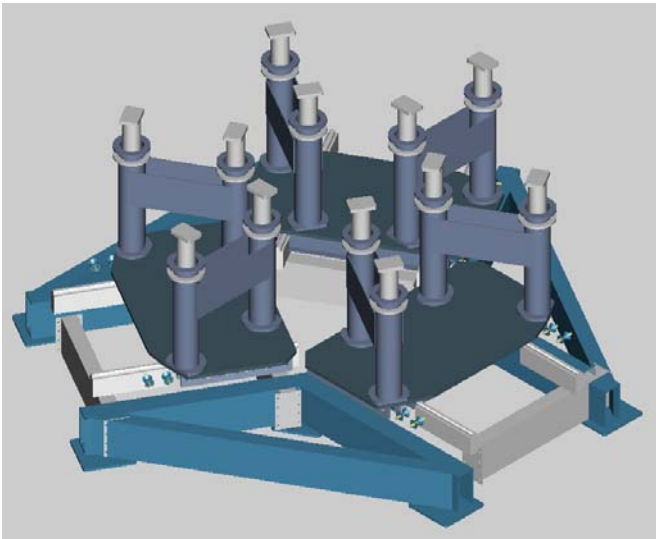
- Updated cryostat with new port configuration



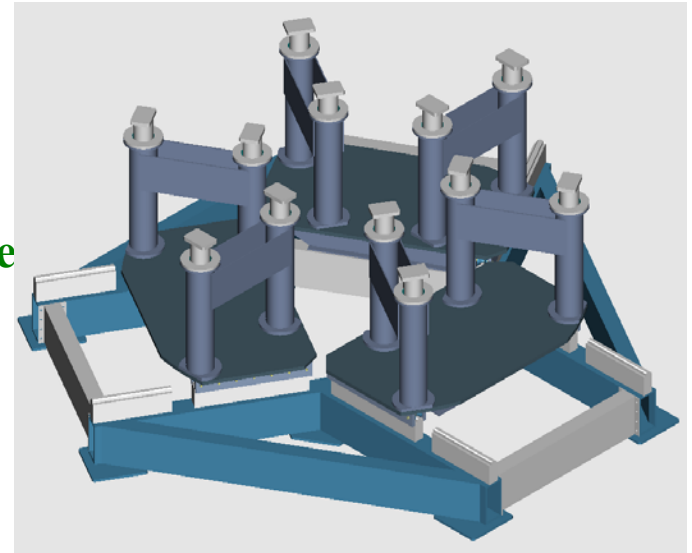
# Base

---

CDR



PDR



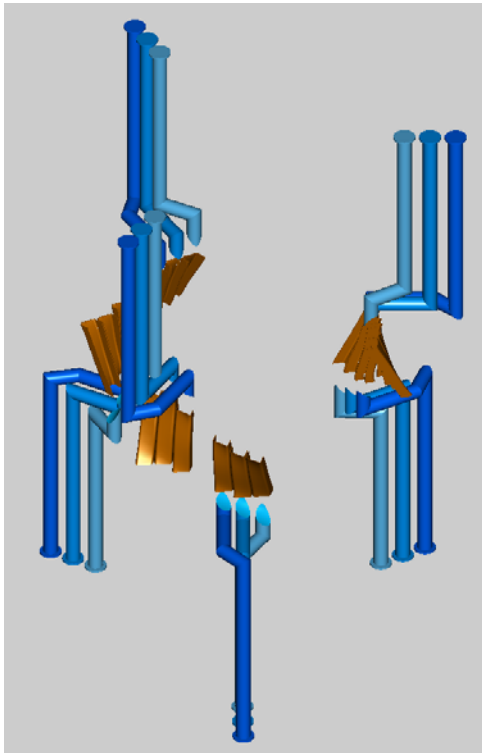
- No changes since last update



# ICRF Antenna

---

CDR



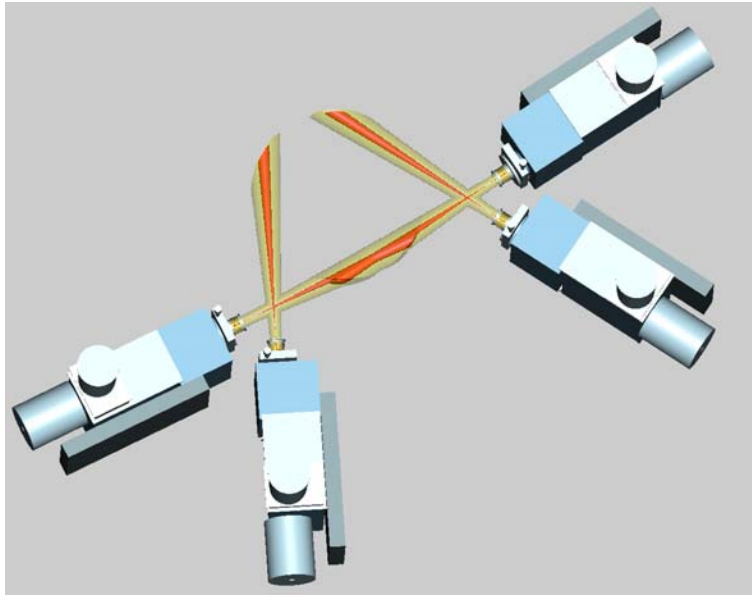
PDR

- **Holding for more detail on mod coils and vacuum vessel.**

# Neutral Beams

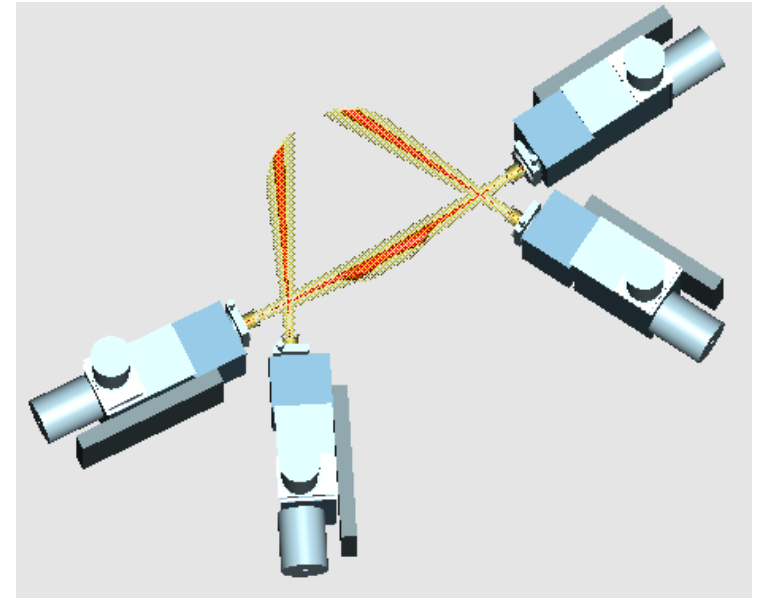
---

CDR



PDR

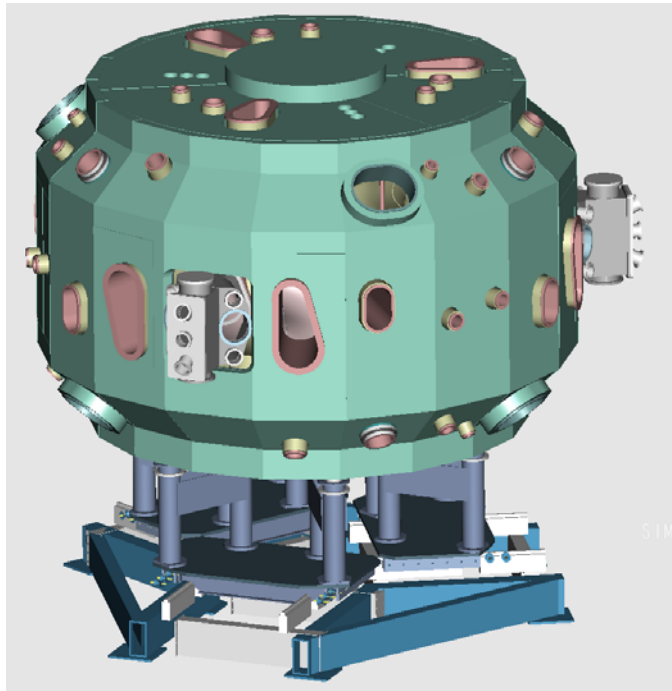
• No change



# Stellarator Core Systems

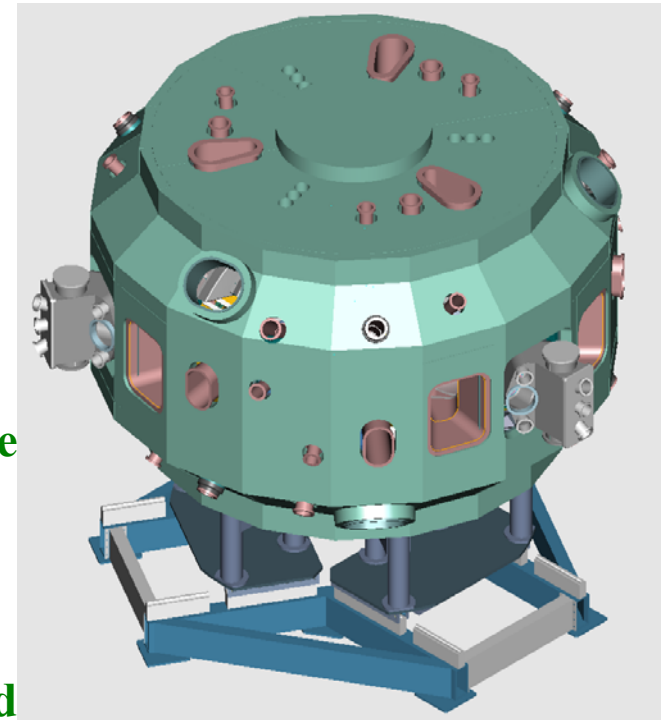
---

CDR



PDR

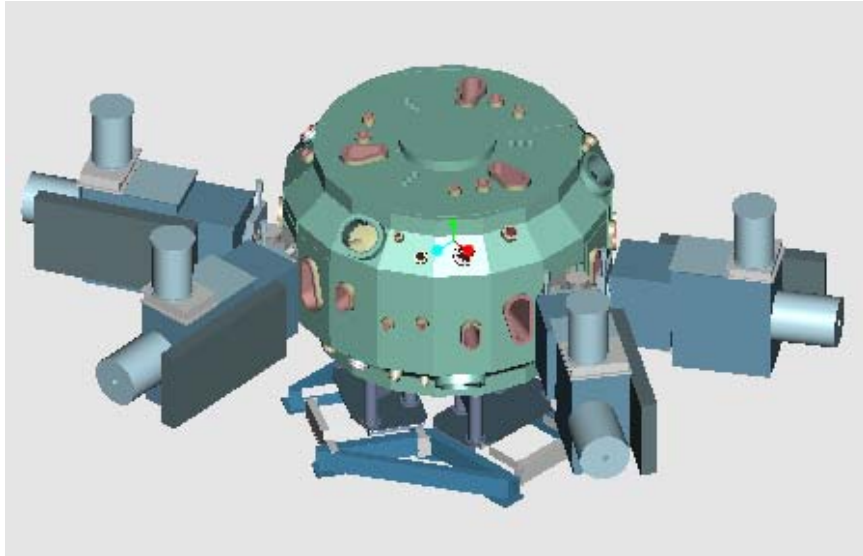
- **Updating new models as they are developed**
- **Need to start updating assembly procedure (coordinate with E. Perry)**
- **Checking for interference as new models are assembled**



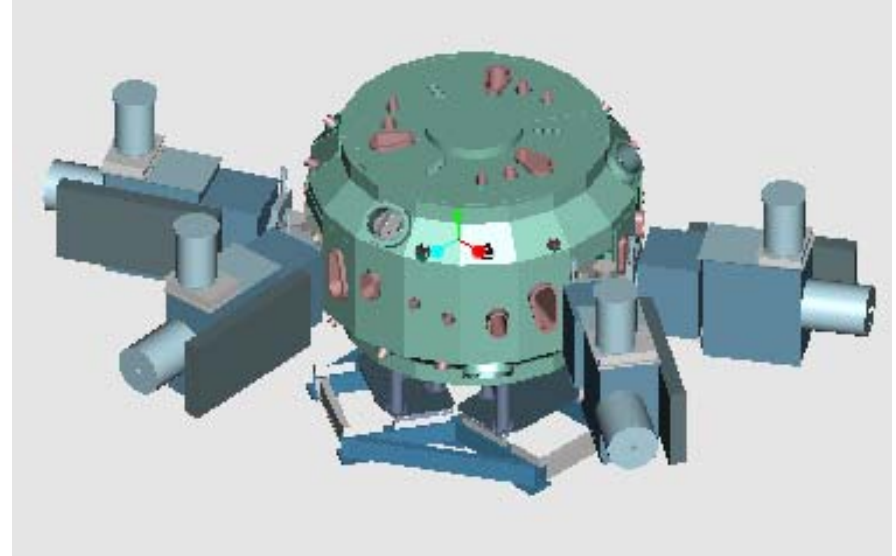
# Stellarator Core And Neutral Beam

---

CDR



PDR



- **Added NB to Assembly**
- **NB not part of Core but added for information**