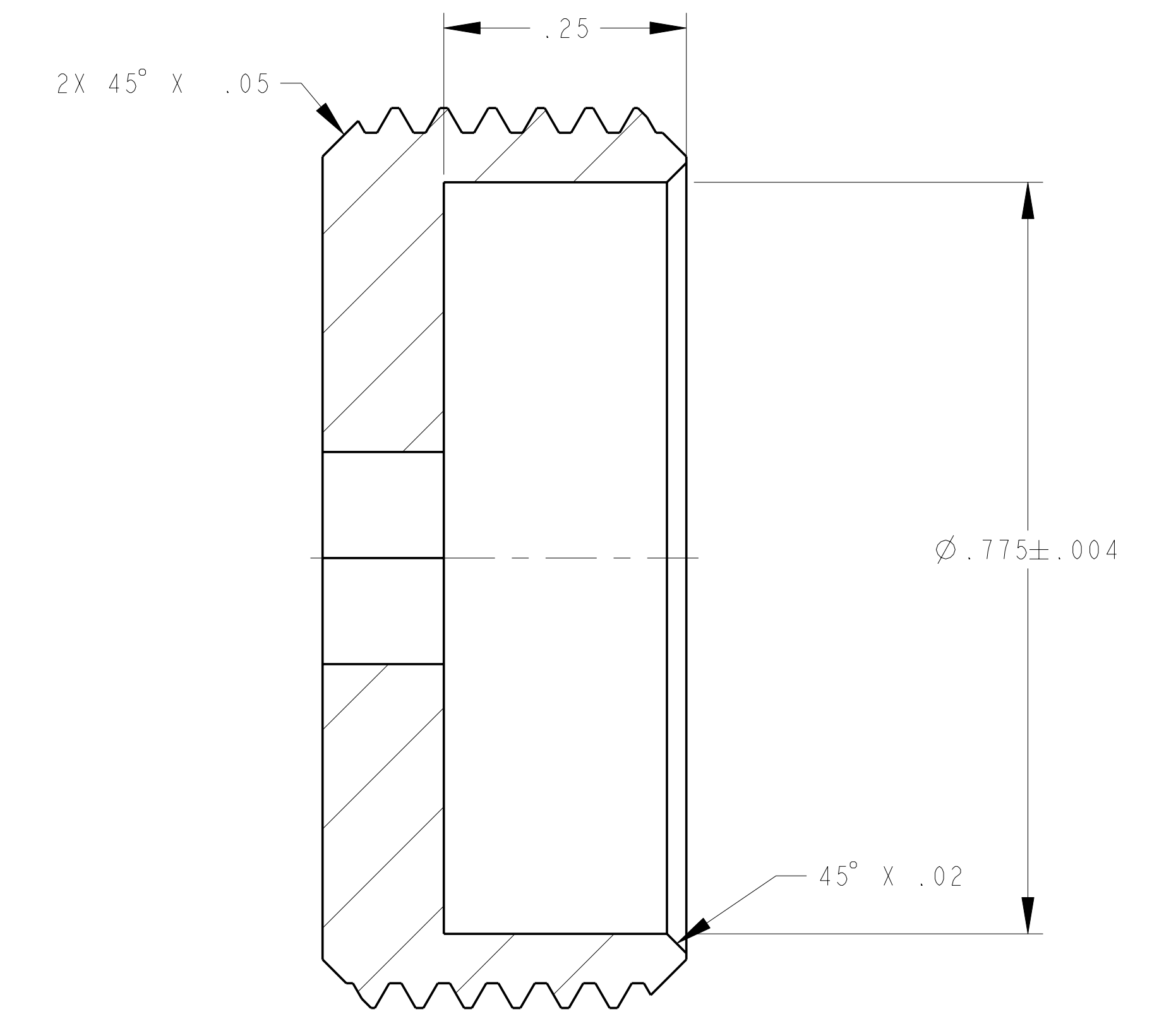
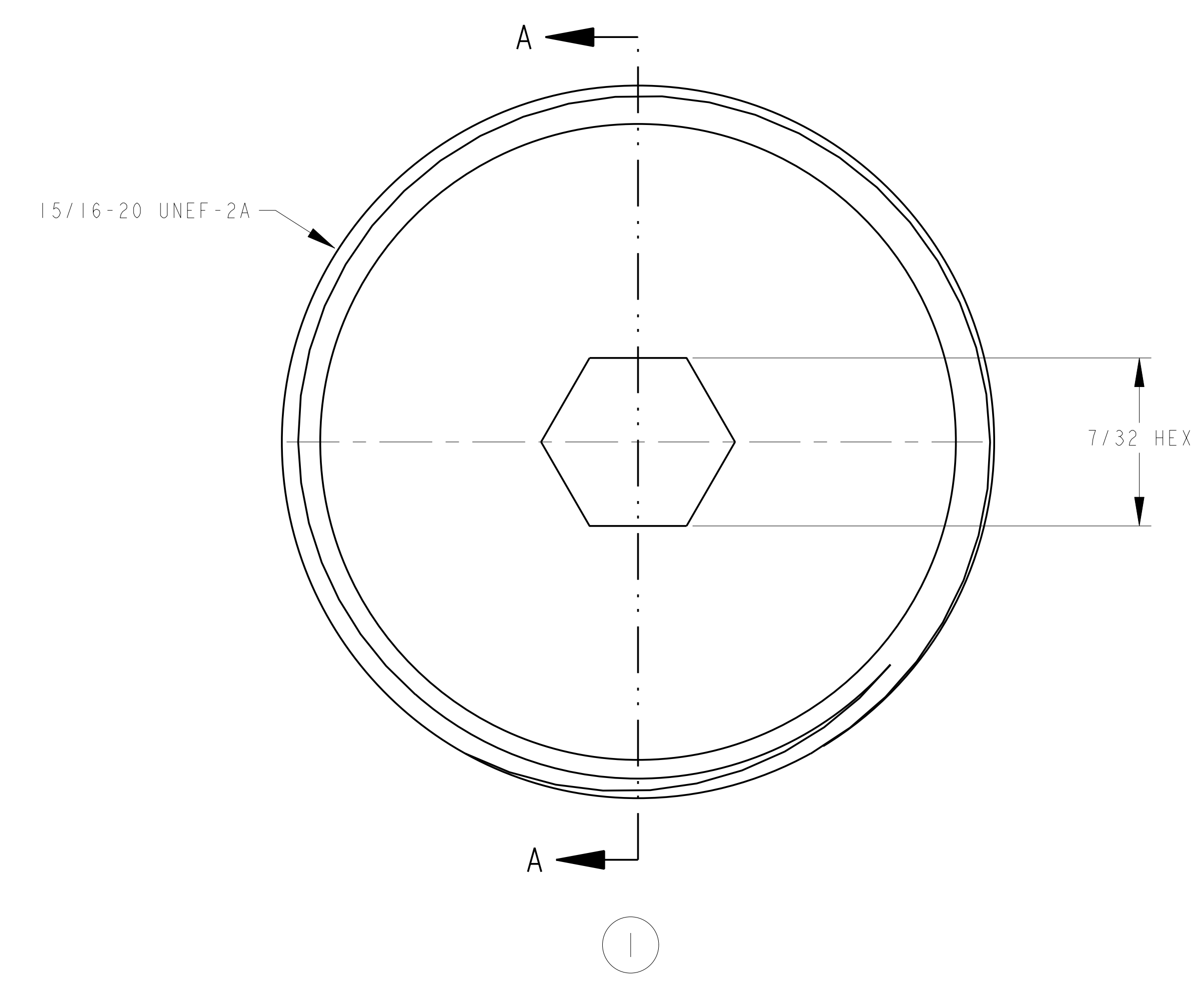
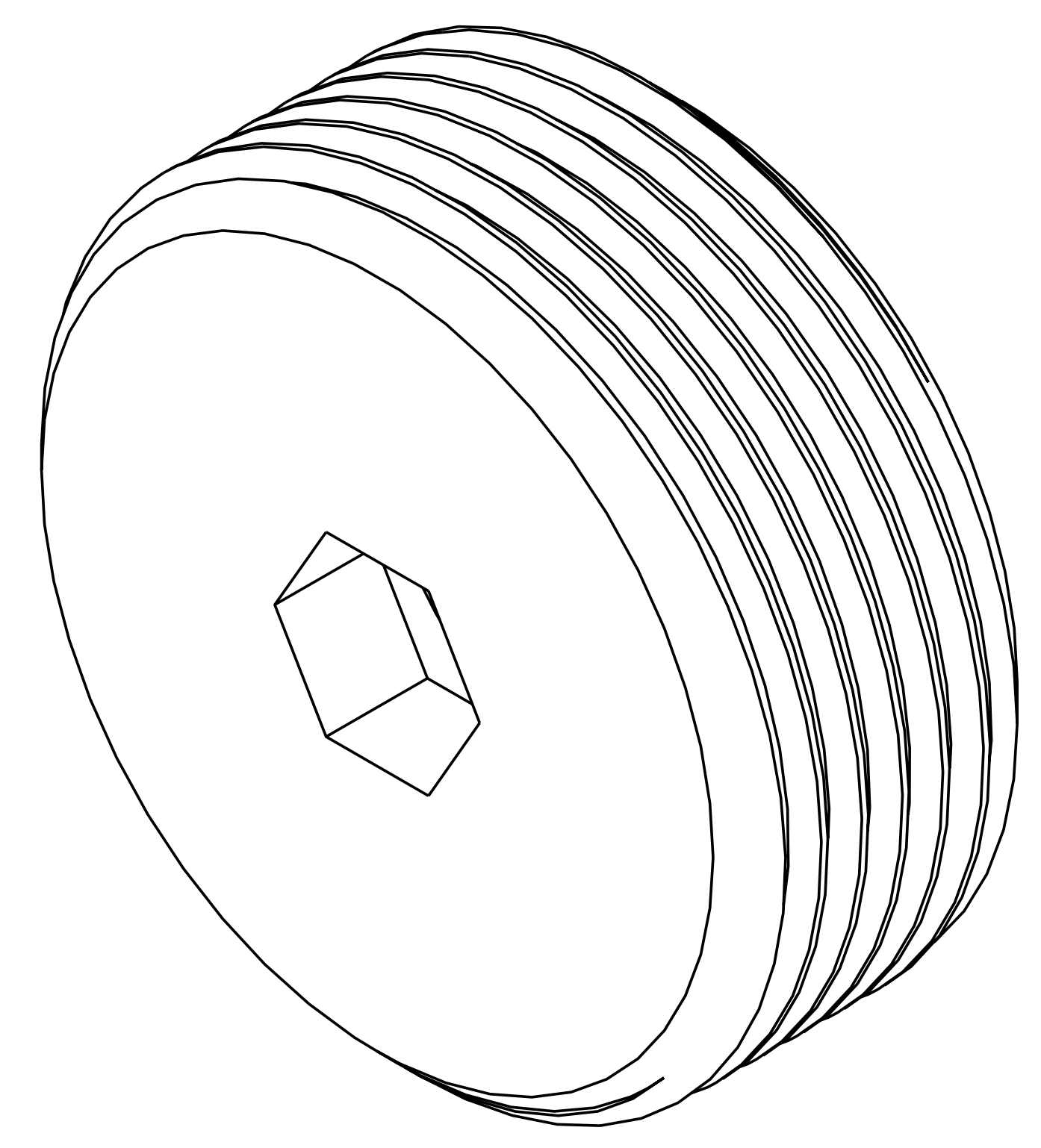
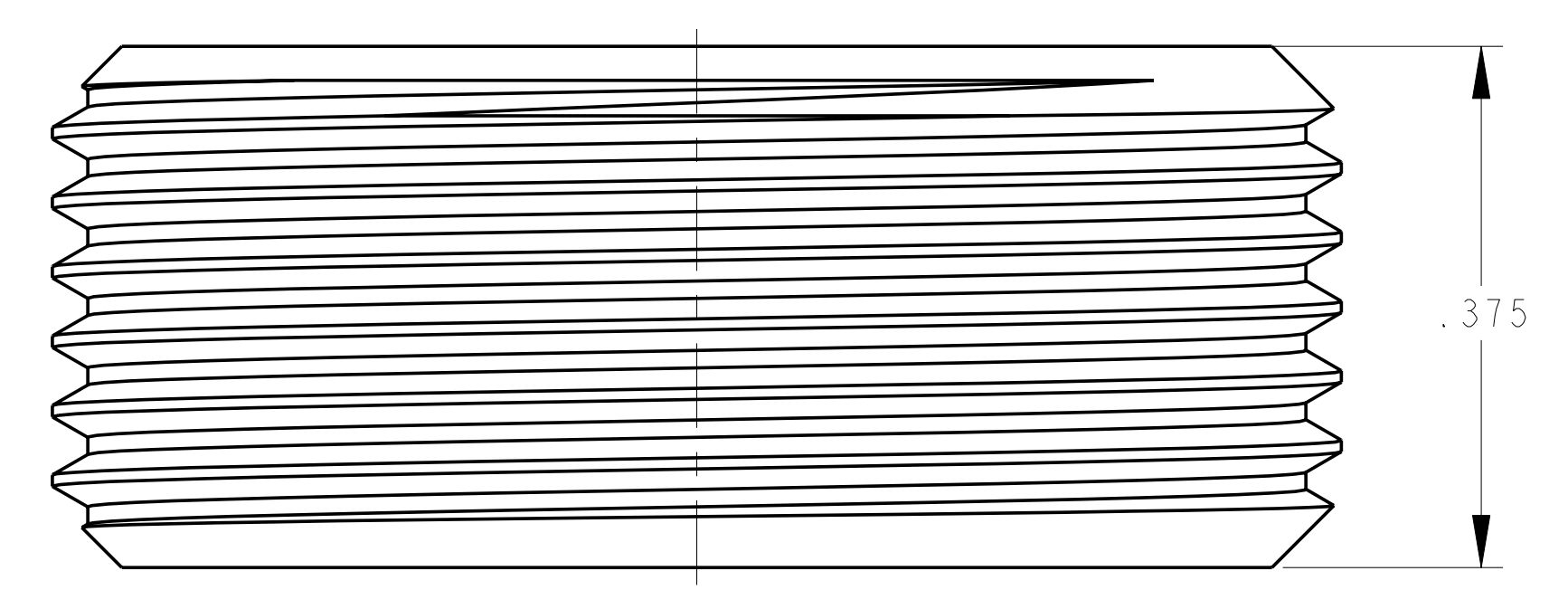


- NOTES:
1. INTERPRET DIMENSIONS AND TOLERANCES PER ANSI Y14.5M
  2. DIMENSIONS ARE IN INCHES
  3. DIMENSIONS APPLY AT ROOM TEMPERATURE. OPERATING TEMP 80 K
  4. GEOMETRY IS DEFINED IN PRO ENGINEER CAD MODELS/FILES
  5. DRAWING AND MODELS COMBINED DEFINE FINISHED MACHINED PART



SECTION A-A

AR	SEI405-261P	SCREW, SET, 15/16-20 UNEF-2A X 3/8	316L SS AG PLATED	--	--
CAGE CODE	PART OR IDENTIFYING NO	NOMENCLATURE OR DESCRIPTION	MATERIAL	SPECIFICATION	FIND NO
SEI405-250	← NEXT ASSEMBLY	PARTS LIST			

NO REPRESENTATION OR WARRANTY, EXPRESSED OR IMPLIED, IS MADE AS TO THE ACCURACY, COMPLETENESS OR USEFULNESS OF THE INFORMATION OR STATEMENTS CONTAINED IN THESE DRAWINGS, OR THAT THE USE OR DISCLOSURE OF ANY INFORMATION, APPARATUS, METHOD OR PROCESS DISCLOSED IN THESE DRAWINGS MAY NOT INFRINGE PRIVATE RIGHTS OF OTHERS. NO LIABILITY IS ASSUMED WITH RESPECT TO THE USE OF, OR FOR DAMAGES RESULTING FROM THE USE OF, ANY INFORMATION, APPARATUS, METHOD OR PROCESS DISCLOSED IN THESE DRAWINGS. DRAWINGS MADE AVAILABLE FOR INFORMATION TO BIDDER ARE NOT TO BE USED FOR OTHER PURPOSES, AND ARE TO BE RETURNED UPON REQUEST OF THE FORWARDING CONTRACTOR.

**P** THIS DRAWING PRODUCED ON PRO-ENGINEER

REV	DESCRIPTION	BY	DATE	CHK	DEPT	DATE	PE	REQ	DATE	ORNL	DOE	DATE
REVISION OR ISSUE PURPOSE						REVISION APPROVAL						

SCALE 8	DES PAUL MILLER 4-12-04	Oak Ridge National Laboratory managed for the DEPARTMENT OF ENERGY under U.S. GOVERNMENT contract DE-AC05-00OR22725 UT-BATTELLE, LLC, Oak Ridge, Tennessee				
TOLERANCES UNLESS OTHERWISE SPECIFIED	CHK PAUL MILLER 4-14-04	<b>UT-BATTELLE</b>				
FRACTIONS	SECT :	PROJECT NAME				
XX DECIMALS ± .01	DEPT :	NATIONAL COMPACT STELLARATOR EXPERIMENT				
XXX DECIMALS ± .005	PE :	SCREW, SET, 15/16-20 UNEF-2A X 3/8				
ANGLES ± 0°15'	CR :	VERSION NO. 3				
BREAK SHARP EDGES 06 MAX	PJ :	PLANT X-10				
FINISH .125 UNLESS OTHERWISE SPECIFIED	RED :	BLDG 5700				
	PPPL DRFT :	FL 3				
		SHT OF 1				
		TYPE 1				
		CLASS U				
		RELEASE LEVEL WIP				
		DRAWING APPROVALS DATE				
		REV 0				