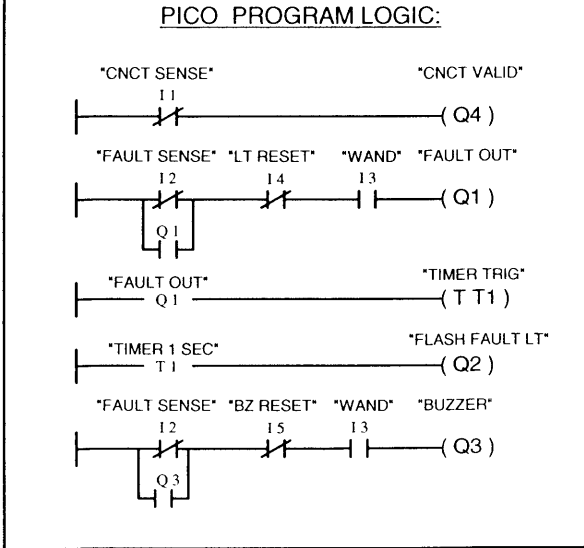
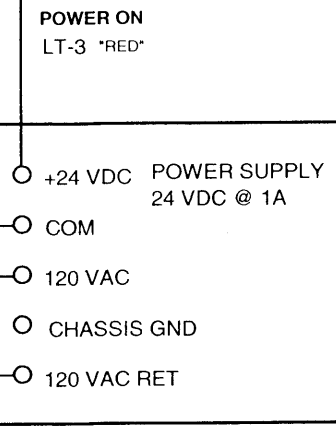
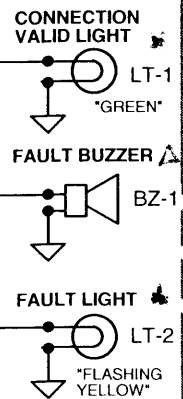
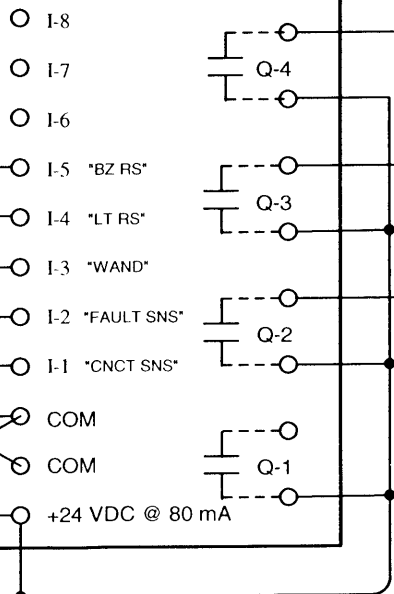


MODULAR COIL LEAD FAULT DETECTOR

ALLEN-BRADLEY
PICO CONTROLLER
AB 1760-L12BWB



COMPONENT FUNCTION:

LT-1, "CONNECTION VALID" INDICATOR. LIGHTED WHEN COIL COMMON AND COMMON SENSE LEADS ARE MADE.

LT-2, "FAULT" INDICATOR. FLASHING LIGHT LATCHED ON WHEN COIL TO SWEEP SENSOR SHORT DETECTED. RESET BY "WAND" OR S-2 "LIGHT RESET" BUTTON.

LT-3, "POWER ON" INDICATOR. POWER UP DEFAULT STATE = FAULT INDICATOR AND BUZZER ANNUNCIATOR RESET. READY FOR FAULT DETECTION IF "CONNECTION VALID" LIT.

BZ-1, "BUZZER". ANNUNCIATOR LATCHED ON WHEN COIL TO SWEEP SENSOR SHORT DETECTED. RESET BY "WAND" OR S-1 "BUZZER RESET" BUTTON.

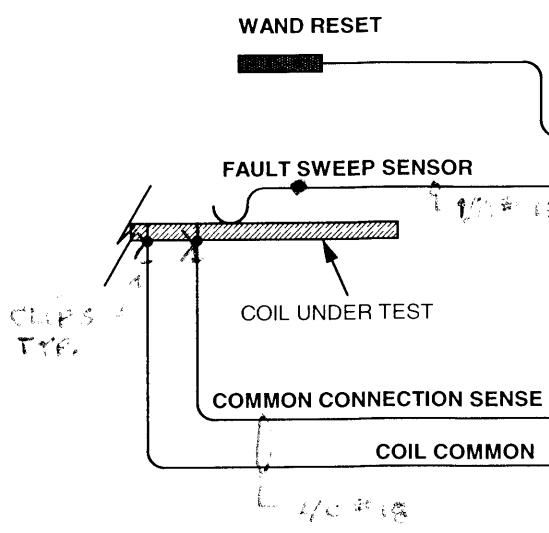
"WAND RESET". USED TO ISOLATE FAULTED COIL AREA AFTER FAULT INDICATOR OR BUZZER LATCHES ON. RESETS FAULT LIGHT AND BUZZER UPON "WAND" CONTACT WITH FAULTED AREA SHORT.

S-1, "BUZZER RESET". PRESS TO SILENCE BUZZER AFTER COIL TO SWEEP SENSOR SHORT DETECTION. BUZZER "BZ-1" WILL LATCH ON UPON NEXT FAULT DETECTION.

S-2, "LIGHT RESET". PRESS TO TURN OFF FLASHING LIGHT AFTER COIL TO SWEEP SENSOR SHORT DETECTION. FAULT LIGHT "LT-2" WILL LATCH ON UPON NEXT FAULT DETECTION.

NOTES:

- S1, S2-- MOMENTARY PUSHBUTTON SWITCH
- R1, R2, R3 -- 3K, 1/4 W CARBON
- J1, J2, J3, J4 -- 5 WAY BINDING POST
- LT1, LT2, LT3-- 24 VDC



☛ MOUNT ON COVER
 ☐ MOUNT ON LEFT SIDE (FACING COIL)
 ▲ MOUNT ON BOTTOM

J-3 & J-4 = GREEN, BINDING POST
 J-1 = RED, BINDING POST
 J-2 = BLACK BINDING POST

CADD DWG. - NO MANUAL CHANGES ALLOWED
 PC MINI Cad

CADD DWG. NUMBER

REV.	CRB/ECN#	DATE	BY	APPROVED	DESCRIPTION ORIGINAL MASTER	DRAWING NO.	MATERIAL	SPEC NO.
4								
3								
2								
1								
NEXT ASS'Y					APPROVED		NCSX	
2 PLACES					DR. RG		MODULAR COIL LEAD FAULT DETECTOR	
3 PLACES					DATE: 2-16-05		SCALE:	
FRACTION					ENGR.			
ANGULAR								