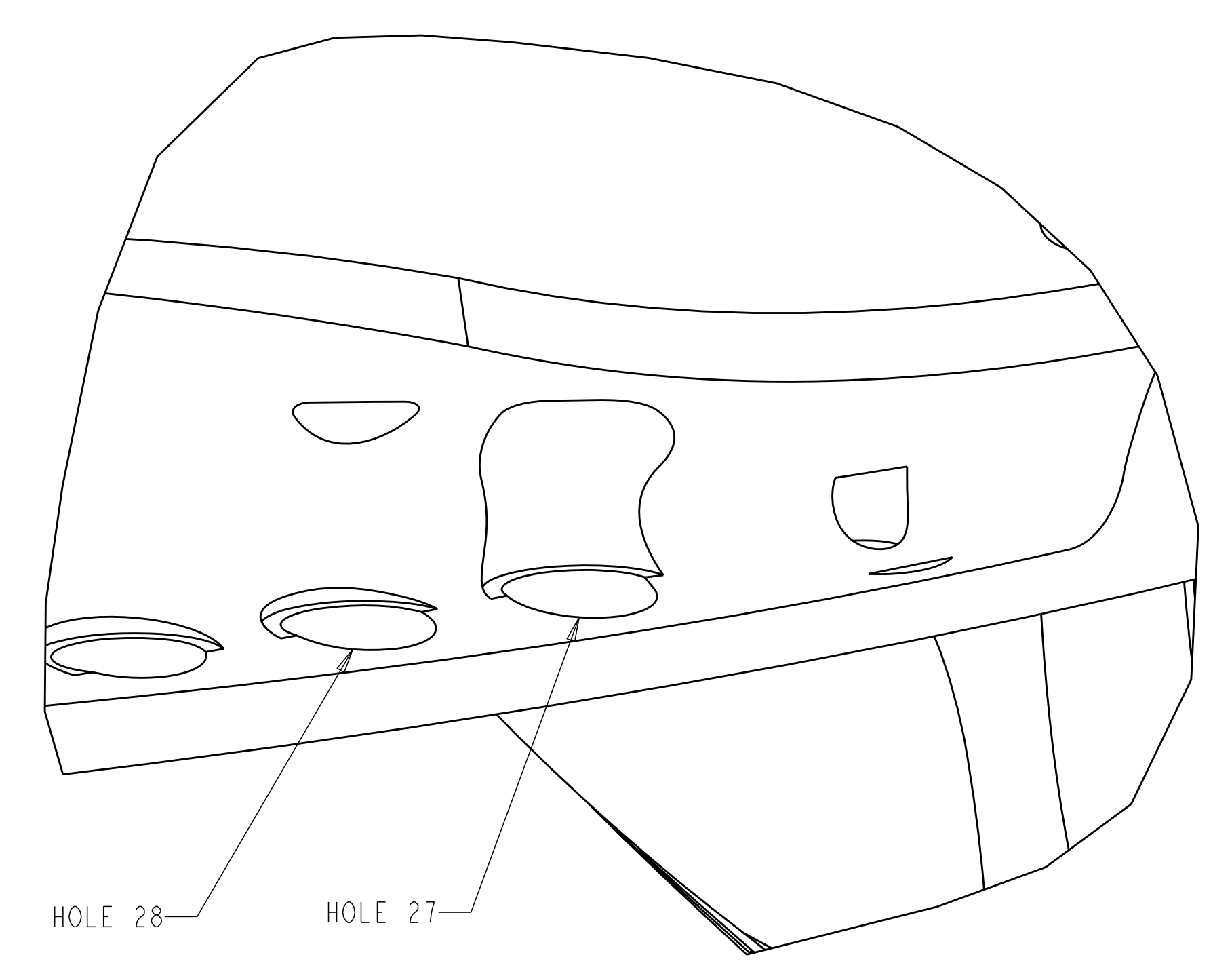
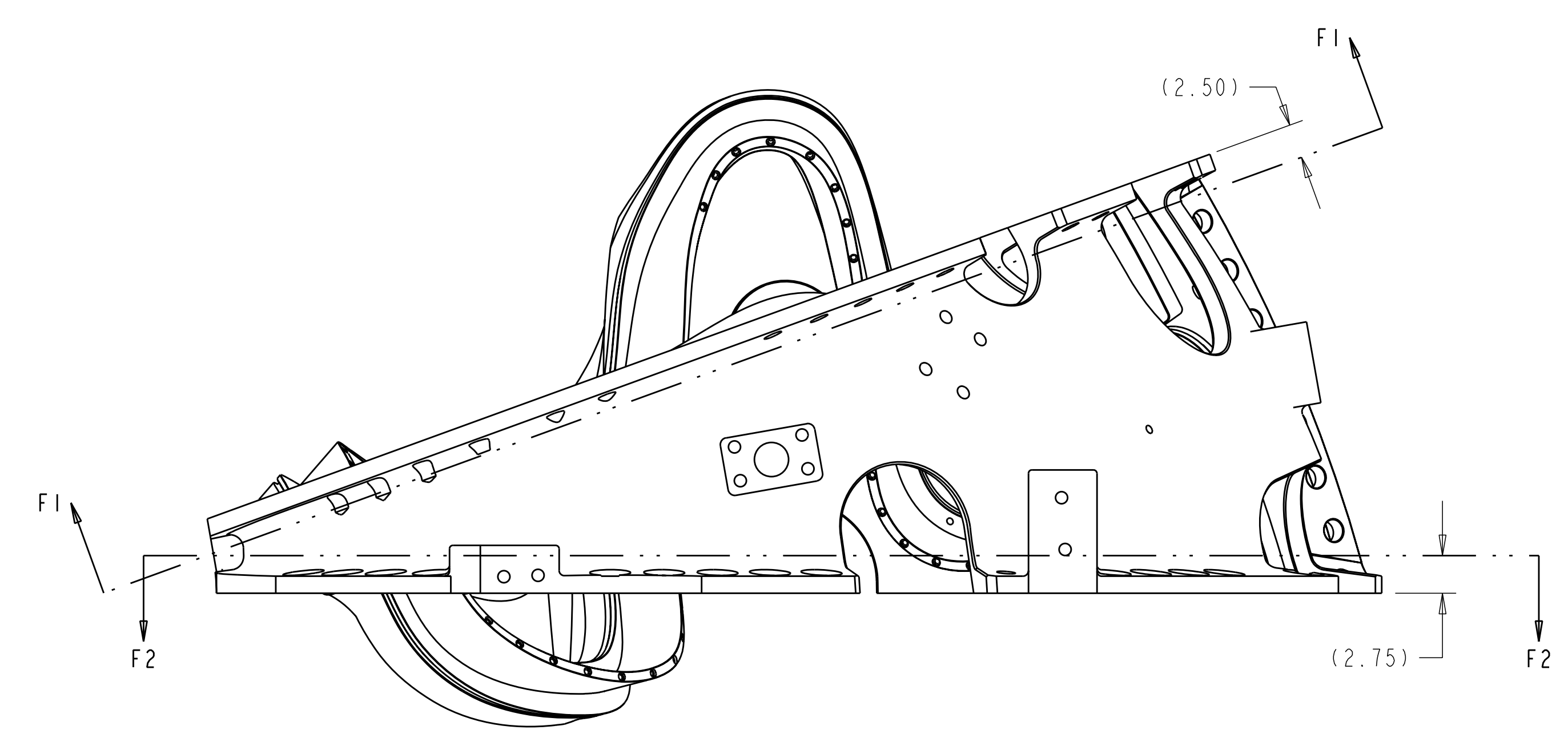
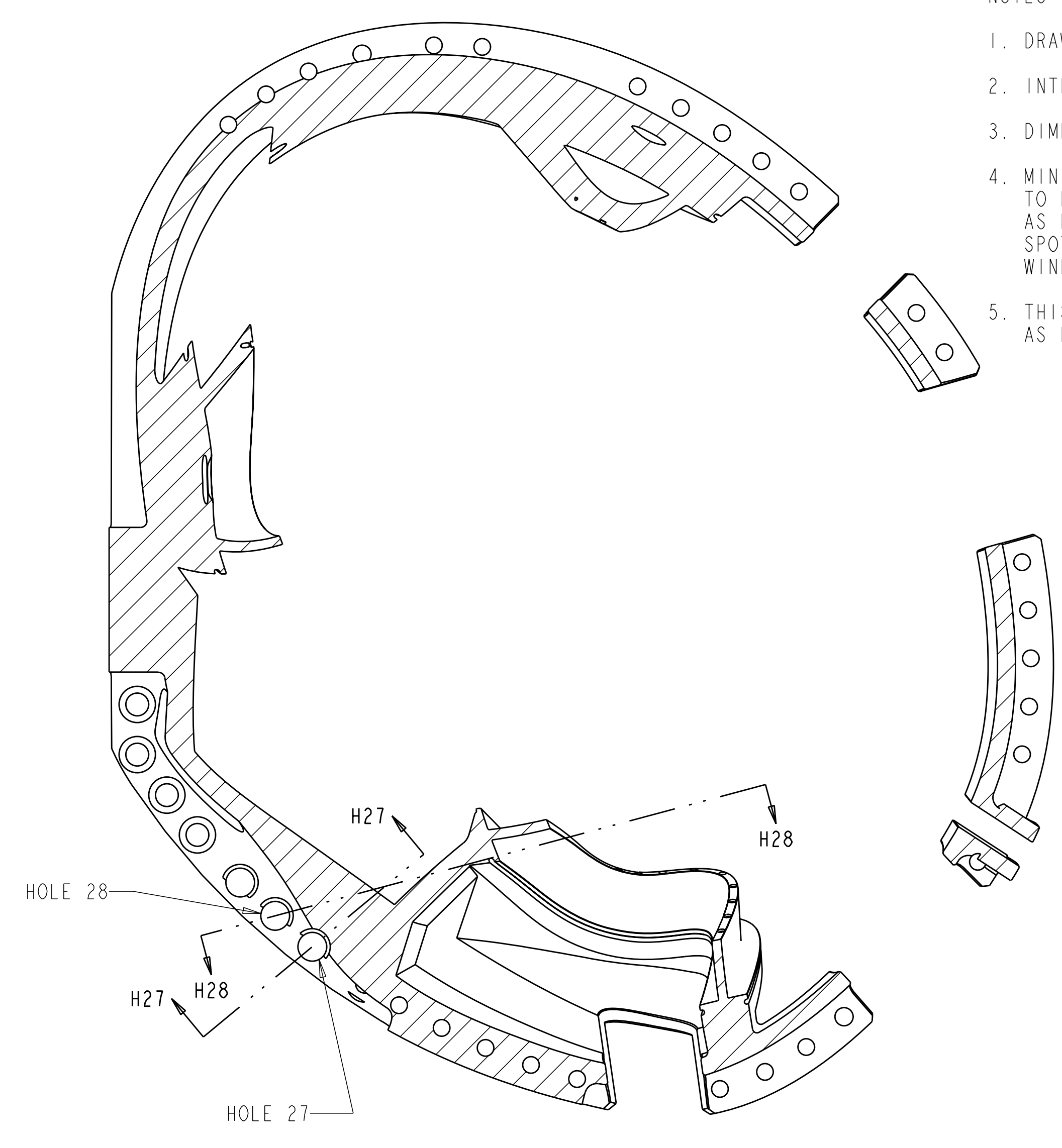


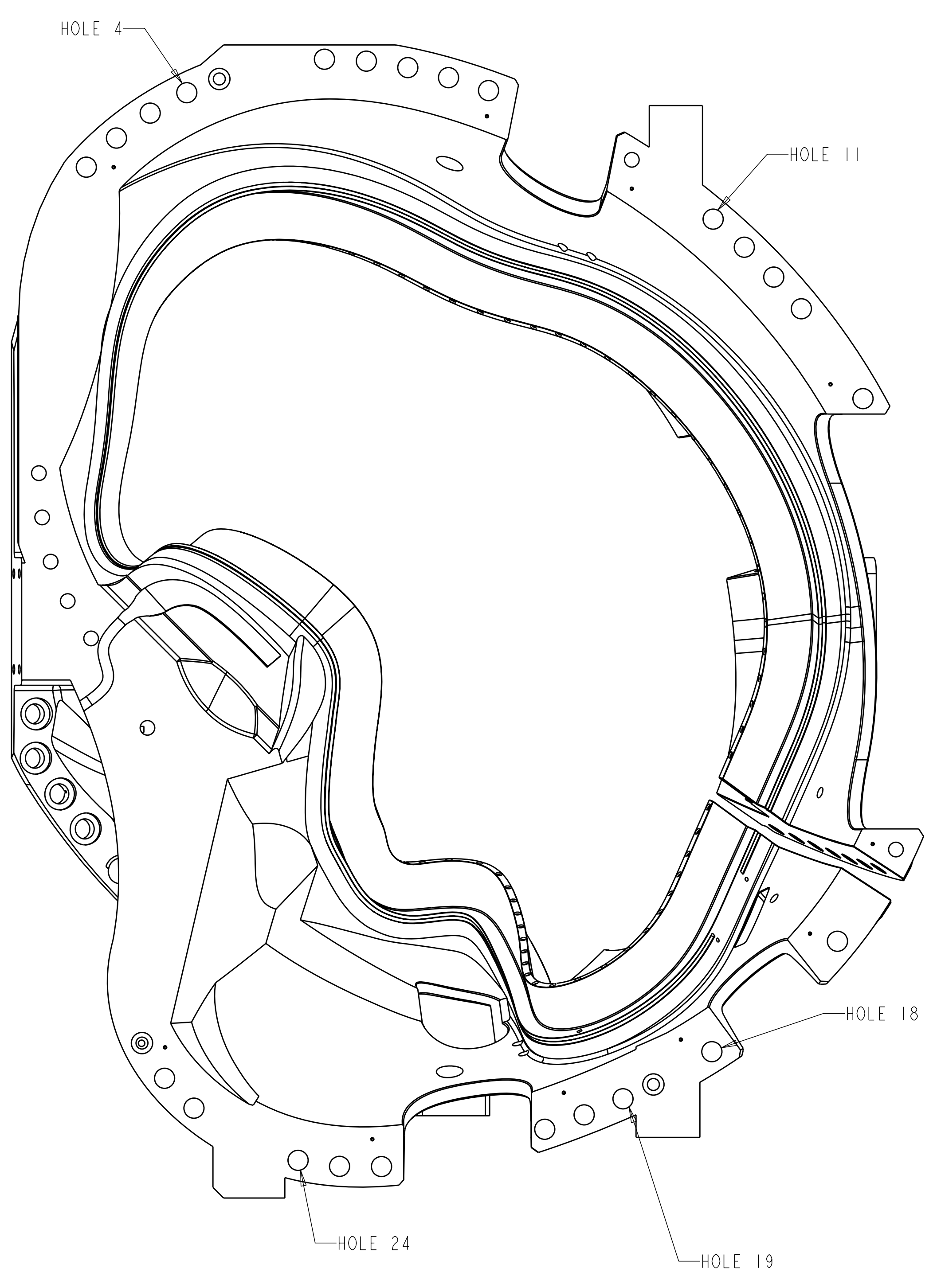
- NOTES
1. DRAWING PREPARED IN ACCORDANCE WITH ASME Y14.100-2004.
 2. INTERPRET DIMENSIONS AND TOLERANCES PER ASME Y14.5M-1994.
 3. DIMENSIONS ARE IN INCHES
 4. MINIMIZE MATERIAL REMOVAL FOR ALL HOLE LOCATIONS SHOWN TO PROVIDE CLEARANCE FOR SUPERNUT. CLEARANCE IS DEFINED AS PLACING A $\varnothing 3.00"$ X $3.25"$ LONG CYLINDER AT EACH $\varnothing 3.00"$ SPOT FACE. THE CYLINDER SHALL NOT INTERFERE WITH THE WINDING FORM.
 5. THIS DRAWING MODIFIES THE EXISTING TYPE "B" WINDING FORM AS DEFINED IN DRAWING SE141-115.DRW.



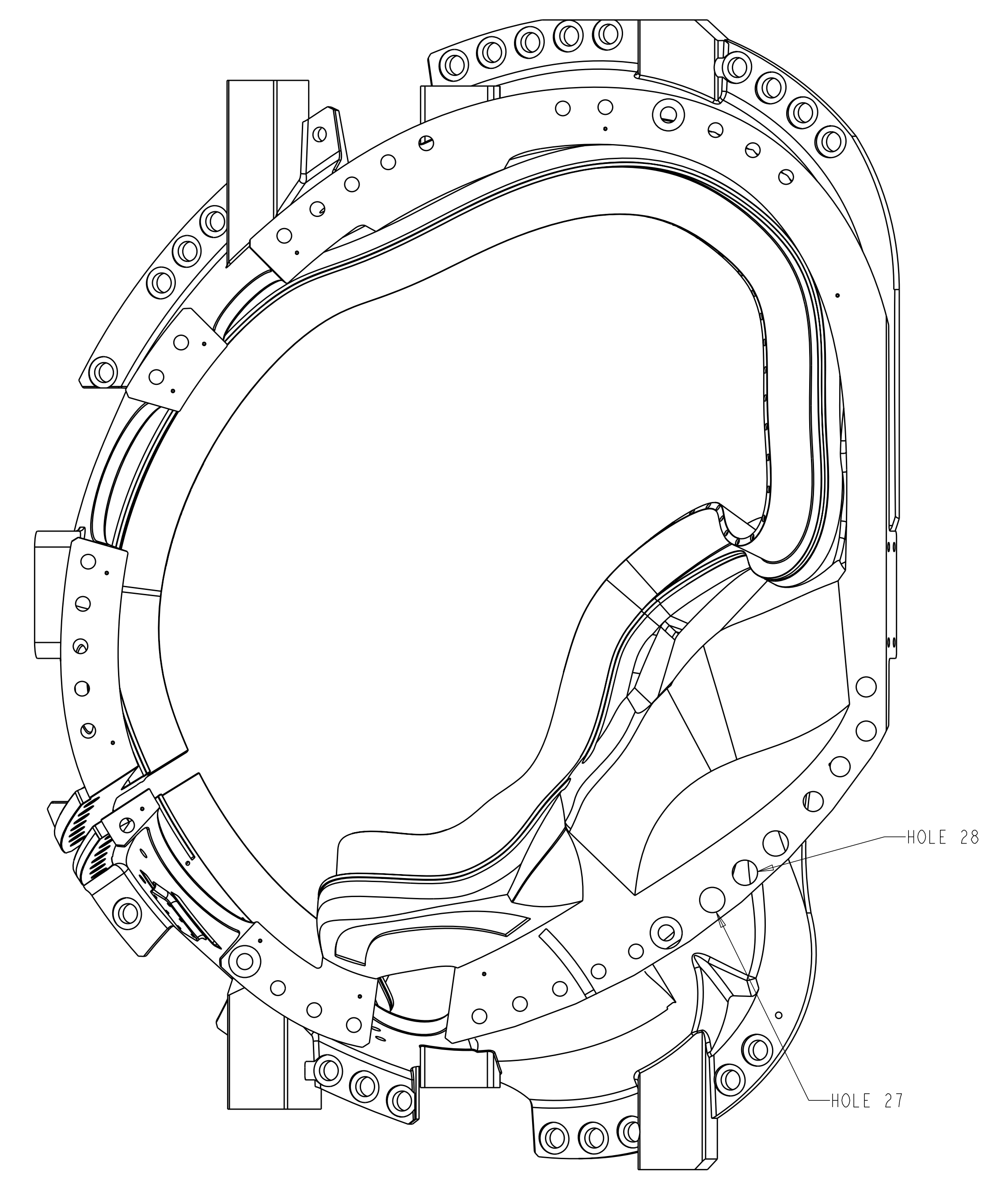
ISOMETRIC VIEW - HOLE 27
 SCALE 0.500



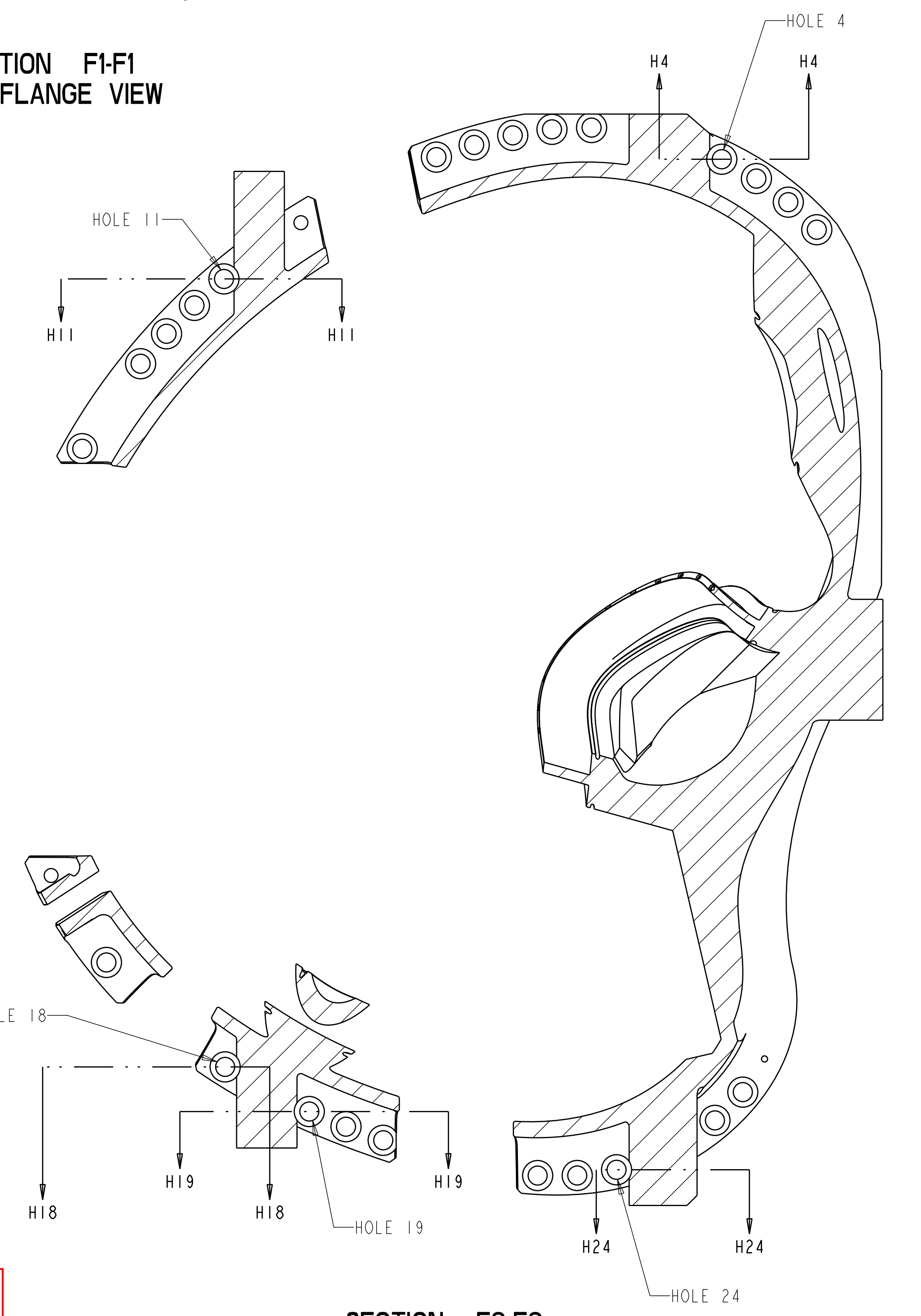
SECTION F1-F1
 BC FLANGE VIEW



B-A FLANGE VIEW
 SCALE .125



B-C FLANGE VIEW
 SCALE .125



SECTION F2-F2
 BA FLANGE VIEW

RELEASED FOR
 FABRICATION / INSTALLATION
 PPPL Drafting

NO REPRESENTATION OR WARRANTY, EXPRESSED OR IMPLIED, IS MADE AS TO THE ACCURACY, COMPLETENESS OR USEFULNESS OF THE INFORMATION OR STATEMENTS CONTAINED IN THESE DRAWINGS, OR THAT THE USE OR DISCLOSURE OF ANY INFORMATION, APPARATUS, METHOD OR PROCESS DISCLOSED IN THESE DRAWINGS MAY NOT INFRINGE PRIVATE RIGHTS OF OTHERS. NO LIABILITY IS ASSUMED WITH RESPECT TO THE USE OF, OR FOR DAMAGES RESULTING FROM THE USE OF, ANY INFORMATION, APPARATUS, METHOD OR PROCESS DISCLOSED IN THESE DRAWINGS. DRAWINGS MADE AVAILABLE FOR INFORMATION TO BIDDER ARE NOT TO BE USED FOR OTHER PURPOSES, AND ARE TO BE RETURNED UPON REQUEST OF THE FORWARDING CONTRACTOR.

P THIS DRAWING PRODUCED ON PRO-ENGINEER

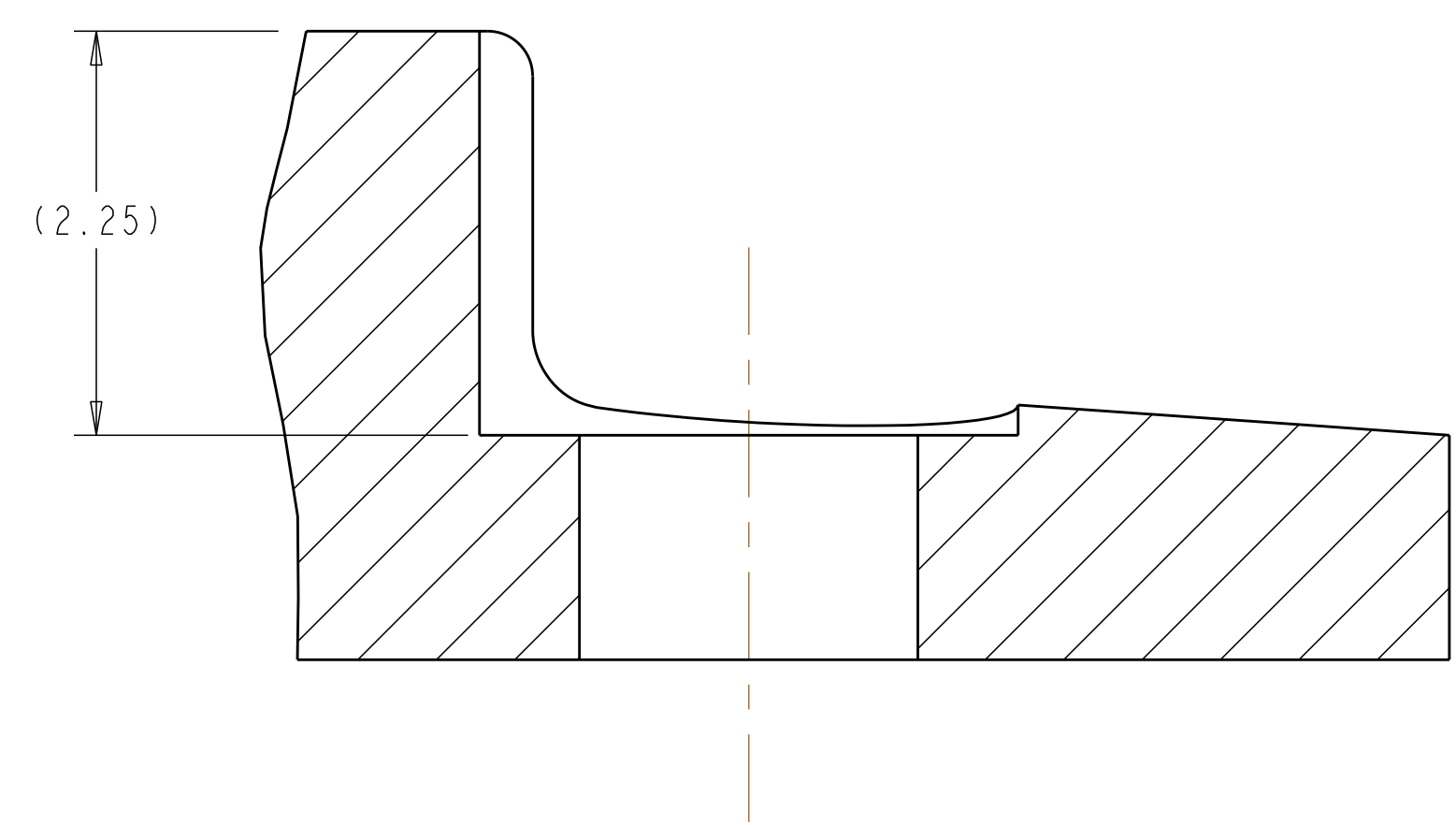
HOLE NUMBER IDENTIFICATION IS DEFINED IN DRAWING SE141-115.DRW

REV	DESCRIPTION	BY	DATE	CHK	DEPT	DATE	PE	REQ	DATE	ORNL	DOE	DATE
0	ORIGINAL ISSUE	GM	06/07									
	REVISION OR ISSUE PURPOSE											

SCALE NOTED	DES: D WILLIAMSON 06/07
TOLERANCES UNLESS OTHERWISE SPECIFIED	DRW: G MCGINNIS 06/07
FRACTIONS ± .01	CHK: M COLE 06/07
XX DECIMALS ± .005	SECT: :
XXX DECIMALS ± .001	DEPT: :
ANGLES ± 0°15'	CR: :
BREAK SHARP EDGES .06 MAX	PJ: :
FINISH .125 UNLESS OTHERWISE SPECIFIED	RED: :
	PPPL DRFT J SIEGEL 06/07
	VERSION NO. 2
	PLANT ORNL
	BLDG 5700
	FL 3
	SHT OF 1
	TYPE 2
	CLASS U
	RELEASE LEVEL Fabrication
	SE141-115G
	REV 0

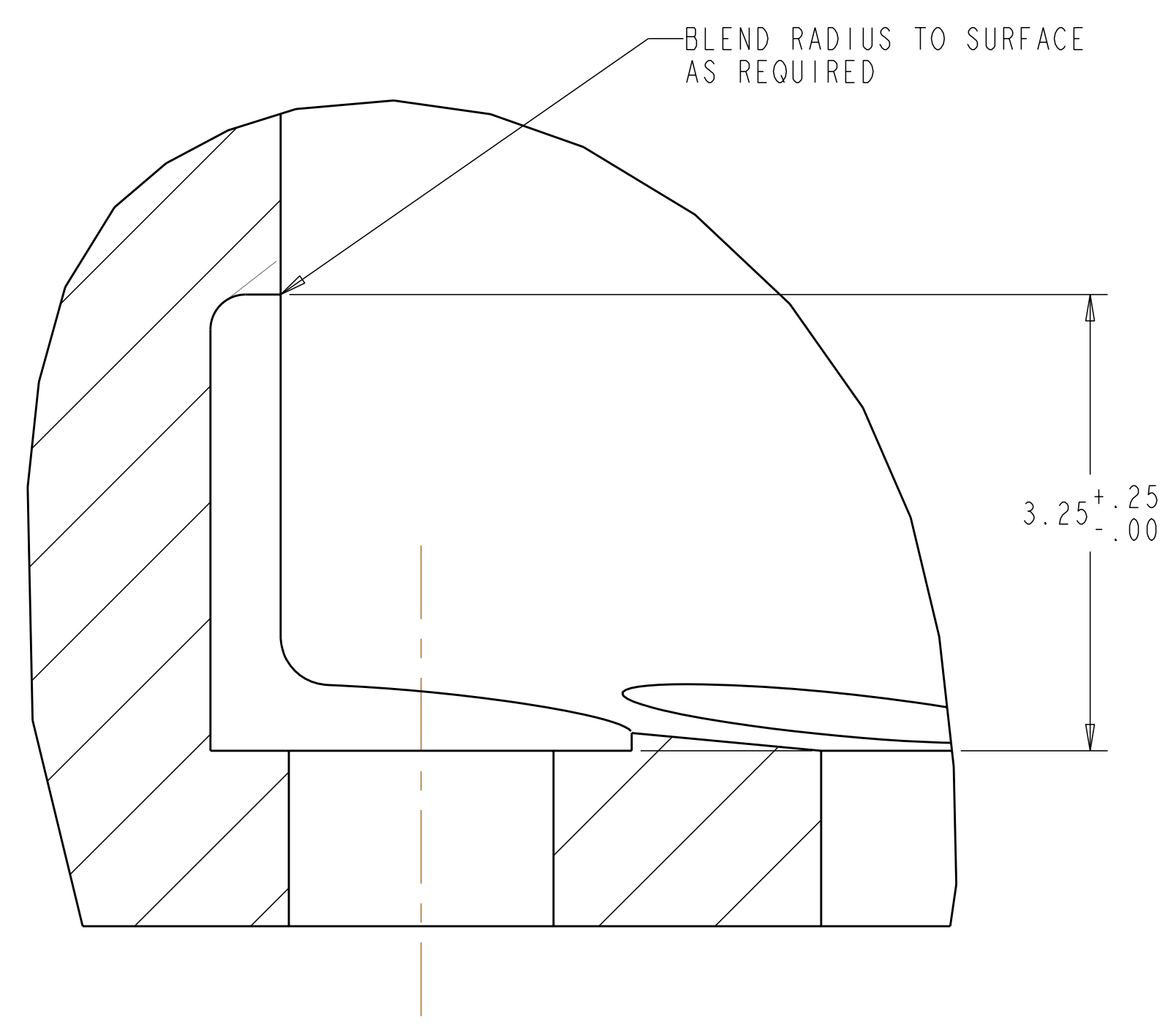
UT-BATTELLE	Oak Ridge National Laboratory managed for the DEPARTMENT OF ENERGY under U.S. GOVERNMENT contract DE-AC05-00OR22725 UT-BATTELLE, LLC, Oak Ridge, Tennessee
PROJECT NAME: NATIONAL COMPACT STELLARATOR EXPERIMENT	
TYPE "B" MODULAR COIL SUPER NUT CLEARANCE	
VERSION NO. 2	PLANT ORNL
BLDG 5700	FL 3
SHT OF 1	TYPE 2
CLASS U	REV 0

SE141-115G



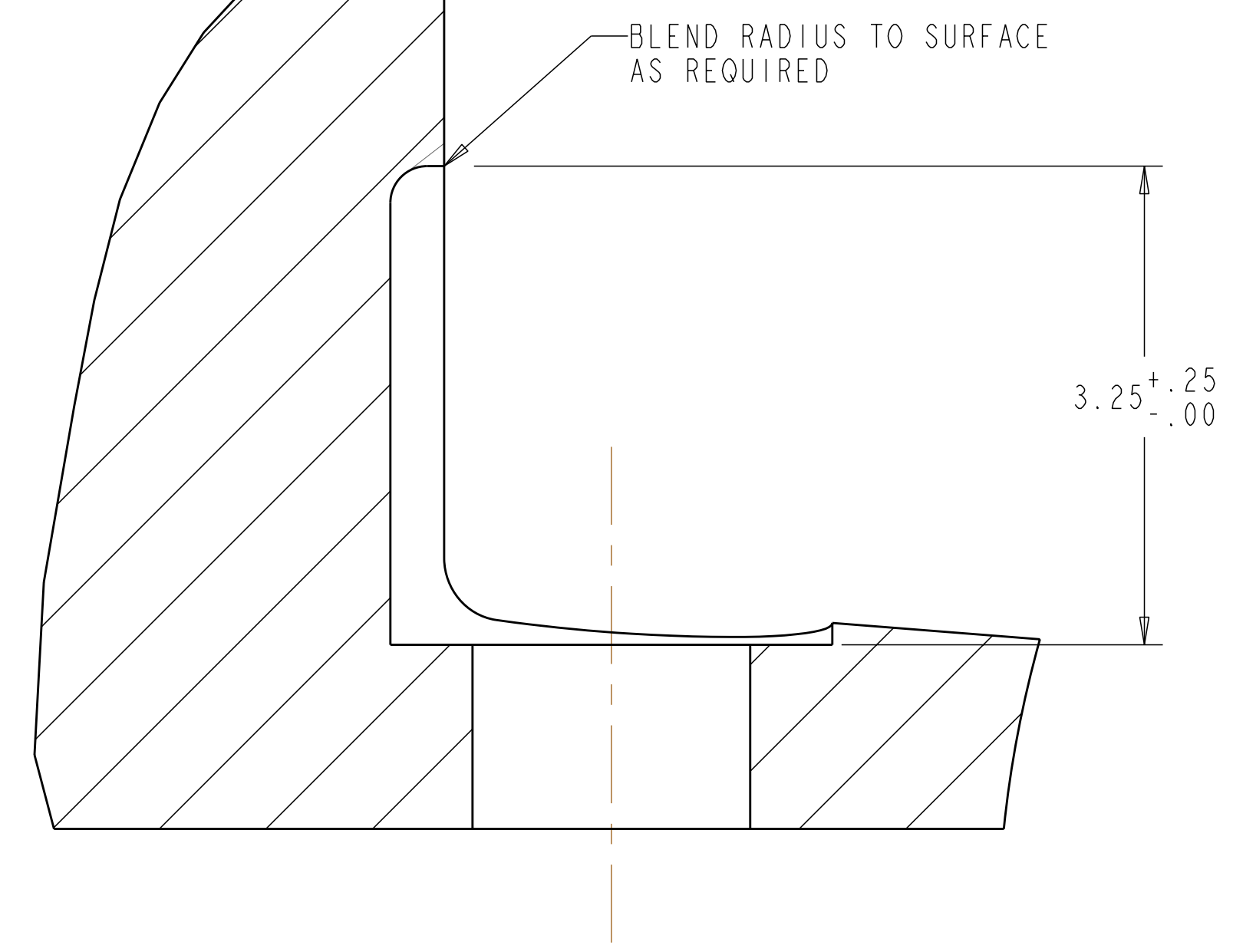
SECTION H4-H4 AT HOLE 4
SCALE 1.000

SEE NOTE 4



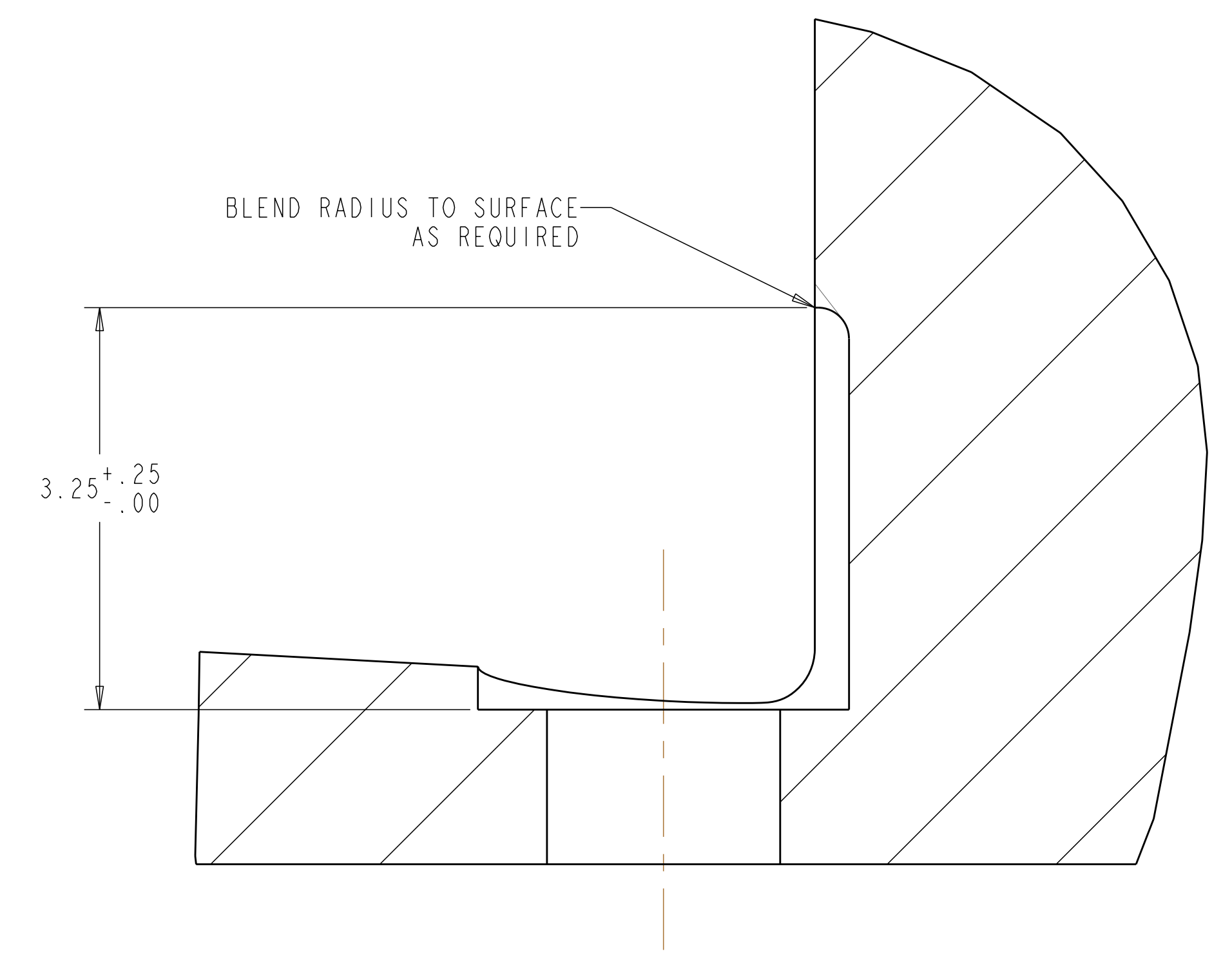
SECTION H11-H11 AT HOLE 11
SCALE 1.000

SEE NOTE 4



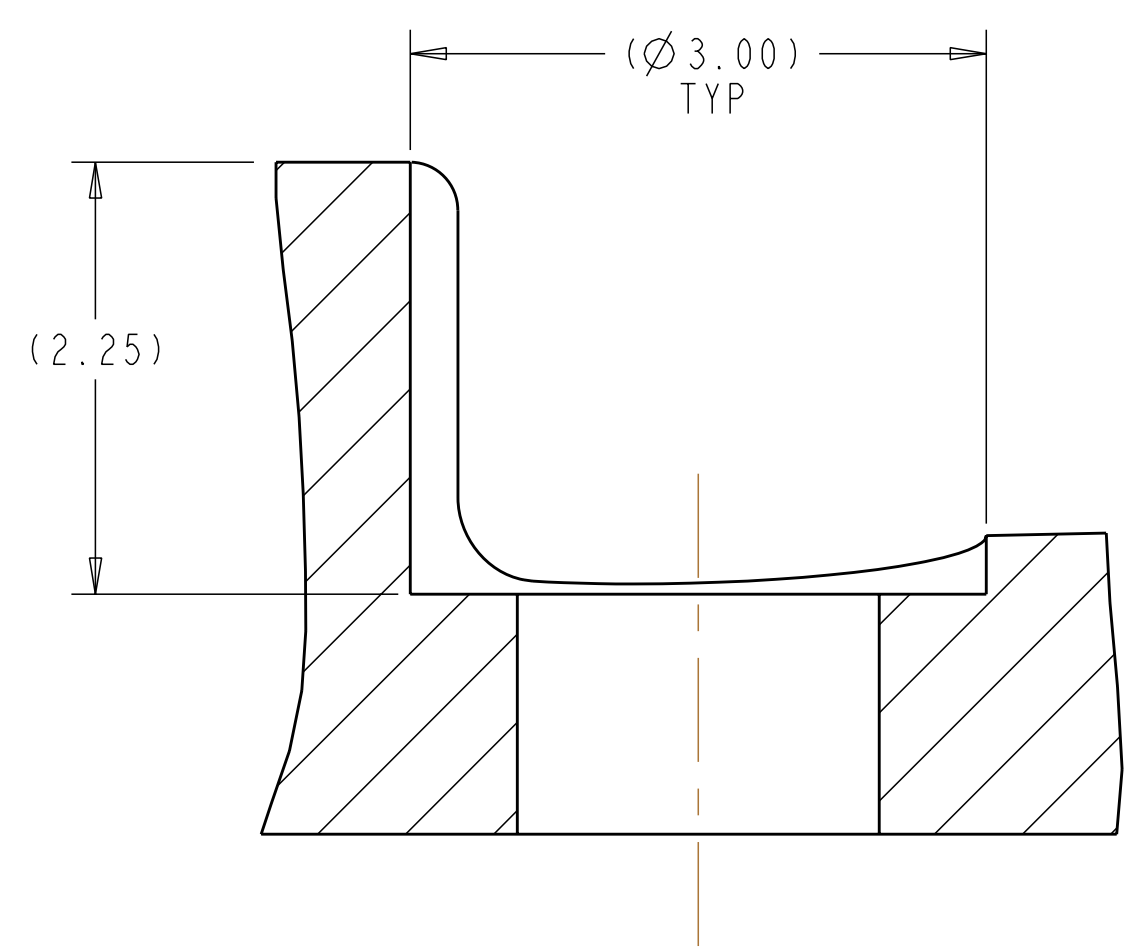
SECTION H18-H18 AT HOLE 18
SCALE 1.000

SEE NOTE 4



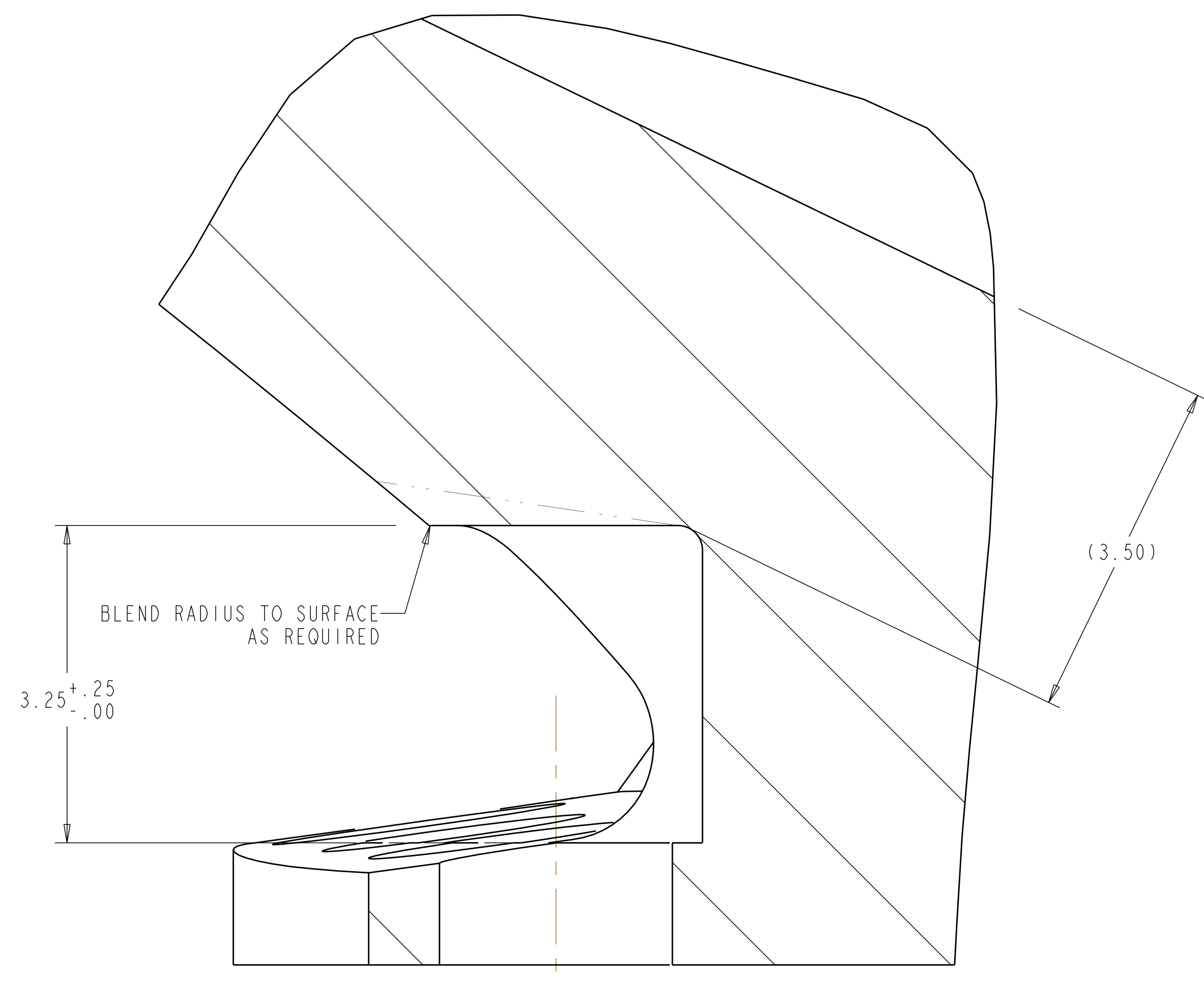
SECTION H19-H19 AT HOLE 19
SCALE 1.000

SEE NOTE 4



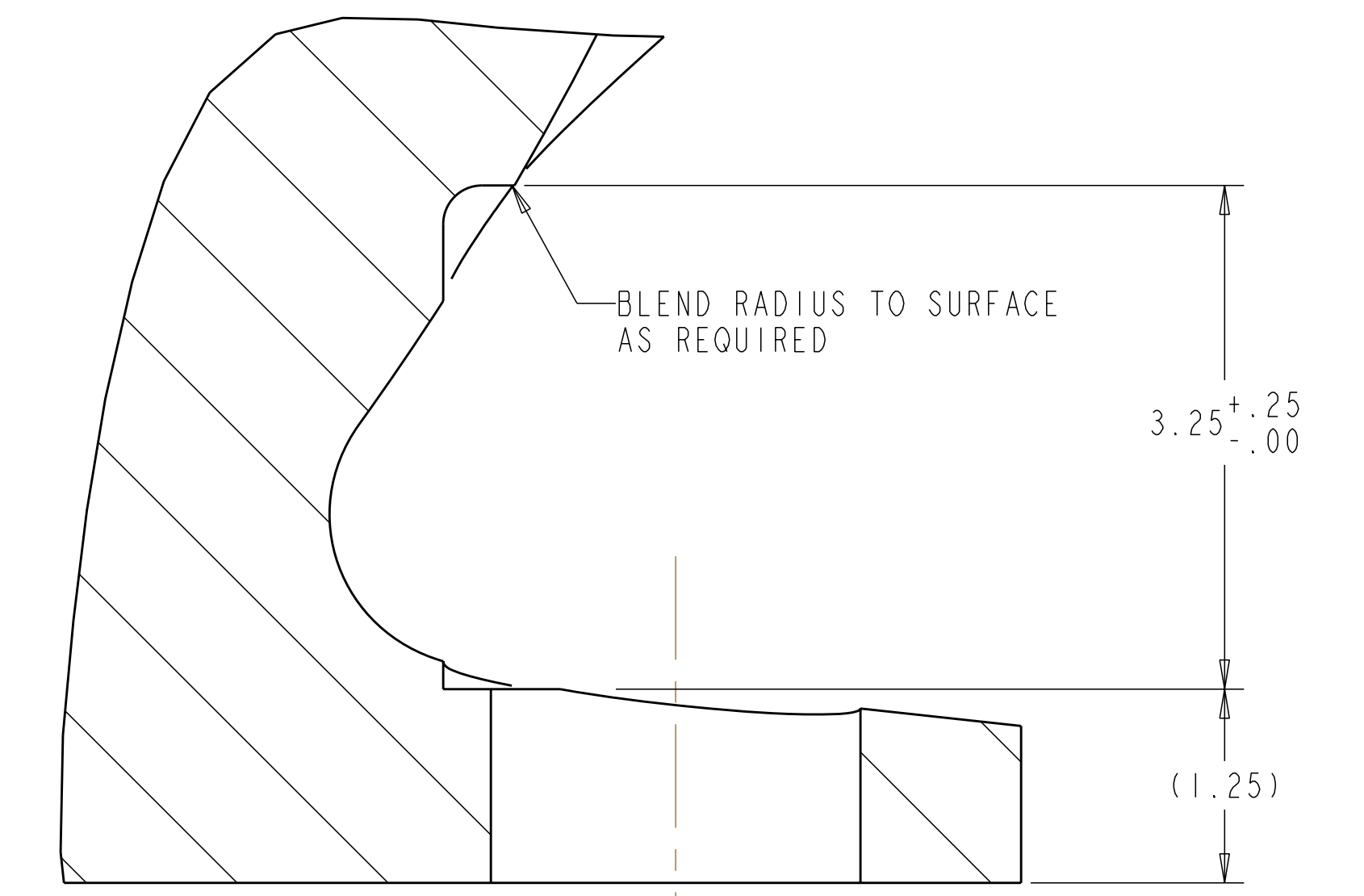
SECTION H24-H24 AT HOLE 24
SCALE 1.000

SEE NOTE 4



SECTION H27-H27 AT HOLE 27
SCALE 1.000

SEE NOTE 4



SECTION H28-H28 AT HOLE 28
SCALE 1.000

SEE NOTE 4

**RELEASED FOR
FABRICATION / INSTALLATION**
PPPL Drafting:

Oak Ridge National Laboratory managed for the DEPARTMENT OF ENERGY under U.S. GOVERNMENT contract DE-AC05-00OR22725 UT-BATTELLE, LLC, Oak Ridge, Tennessee PROJECT NAME							
UT-BATTELLE NATIONAL COMPACT STELLARATOR EXPERIMENT							
TYPE "B" MODULAR COIL SUPER NUT CLEARANCE							
VERSION NO.	PLANT	BLDG	FL	SHT OF	TYPE	CLASS	
2	ORNL	5700	3	2	S	U	
RELEASE LEVEL	SEI41-115G						REV
Fabrication							0

SEI41-115G