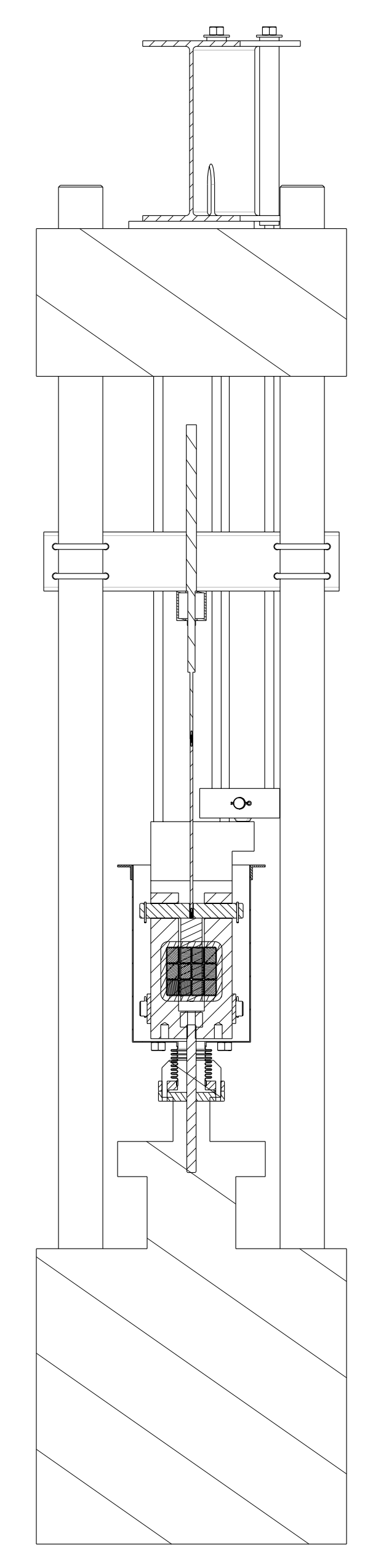
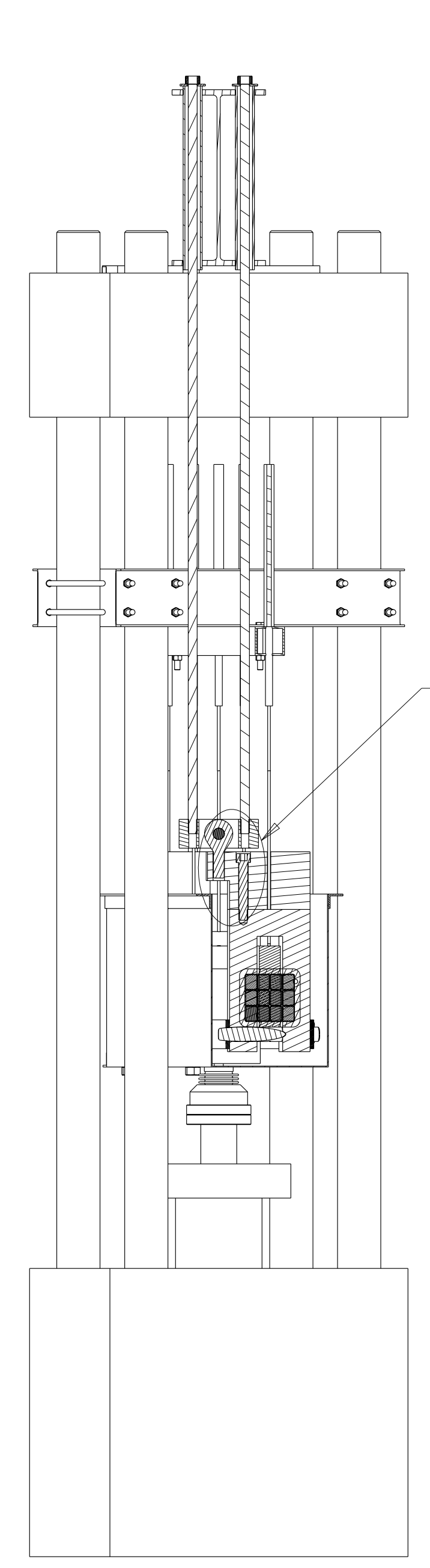


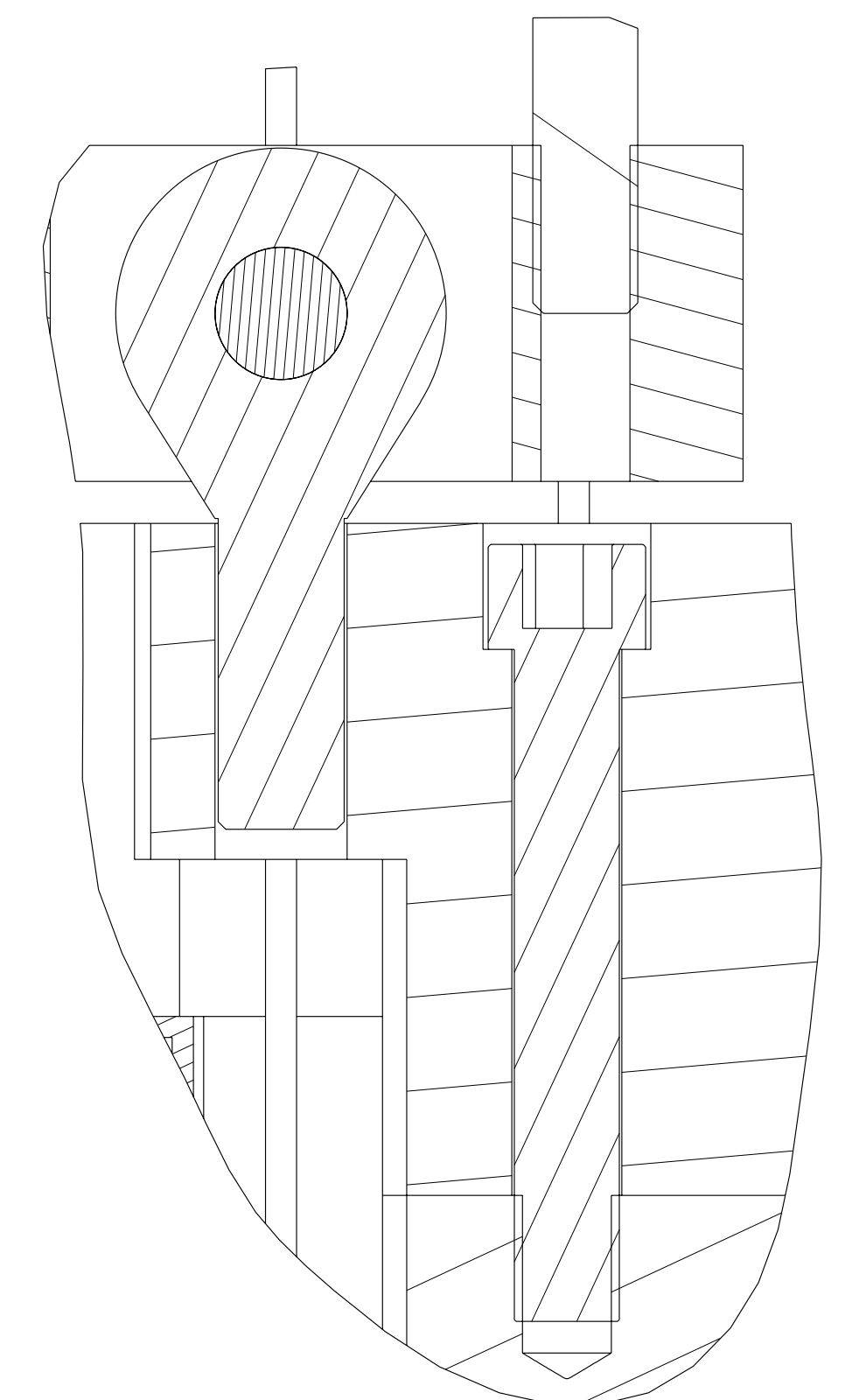
SECTION A-A



SECTION B-B

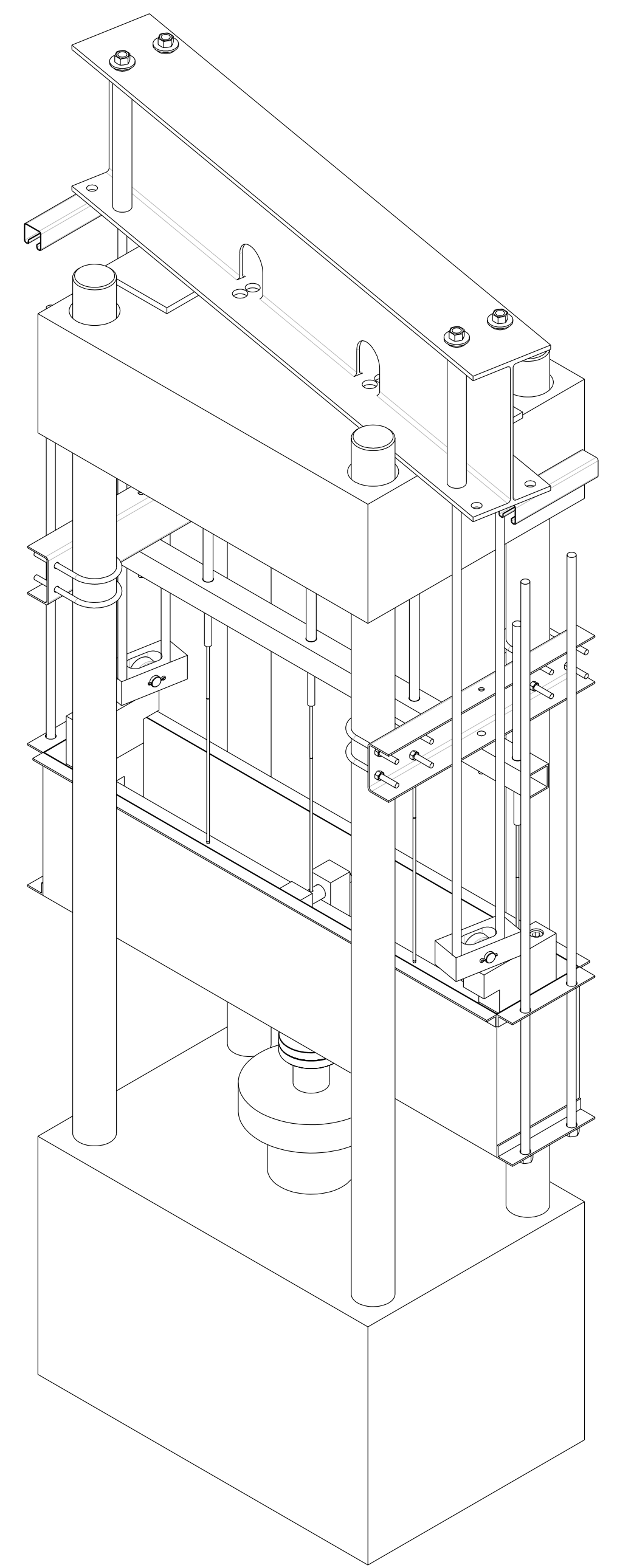


SECTION C-C



DETAIL X  
SCALE: 1.000

- NOTES:
1. INTERPRET DIMENSIONS AND TOLERANCES PER ANSI Y14.5M
  2. DIMENSIONS ARE IN INCHES
  3. REMOVE ALL DIRT, GREASE, AND OIL. VISUALLY INSPECT AFTER CLEANING.



ISOMETRIC VIEW

CAGE CODE	PART OR IDENTIFYING NO	NOMENCLATURE OR DESCRIPTION	MATERIAL	SPECIFICATION	FIND NO
					21
4	.625 - 11 UNC	NUT, HEX			20
5	.50 - 13 UNC	NUT, HEX			19
2	.375 - 16 UNC	NUT, HEX			18
4	Ø .625	WASHER FLAT			17
2	.375-11 UNC X 6.5 LG	HEX HD BOLT			16
5	-15	LVDT ROD 2			15
4	-14	INSULATION SUPPORT HANGER			14
8	-13	PIPE CLAMP			13
1	-12	TEST BEAM			12
1	-11	TEST MACHINE			11
2	-10	SPACER BLOCK			10
2	-010-2	SAFTEY LINK CROSS			9
2	-010-1	SAFTEY LINK			8
1	-007	LVDT CLEVIS ASSEMBLY			7
2	-013	TORSION CLEVIS ASSEMBLY			6
1	-005	INSULATION ASSEMBLY			5
1	-004	LIQUID NITROGEN PAN WELDMENT			4
1	-003	LVDT SUPPORT ASSEMBLY			3
1	-002	IBeam WELDMENT			2
1	-1	TORSION FIXTURE ASSEMBLY			1
next assy	←	NEXT ASSEMBLY			

PARTS LIST

PRELIMINARY

SCALE: .125

NO REPRESENTATION OR WARRANTY, EXPRESSED OR IMPLIED, IS MADE AS TO THE ACCURACY, COMPLETENESS OR USEFULNESS OF THE INFORMATION OR STATEMENTS CONTAINED IN THESE DRAWINGS, OR THAT THE USE OR DISCLOSURE OF ANY INFORMATION, APPARATUS, METHOD OR PROCESS DISCLOSED IN THESE DRAWINGS MAY NOT INFRINGE PRIVATE RIGHTS OF OTHERS. NO LIABILITY IS ASSUMED WITH RESPECT TO THE USE OF, OR FOR DAMAGES RESULTING FROM THE USE OF, ANY INFORMATION, APPARATUS, METHOD OR PROCESS DISCLOSED IN THESE DRAWINGS. DRAWINGS MADE AVAILABLE FOR INFORMATION TO BIDDER ARE NOT TO BE USED FOR OTHER PURPOSES, AND ARE TO BE RETURNED UPON REQUEST OF THE FORWARDING CONTRACTOR.

**P** THIS DRAWING PRODUCED ON PRO-ENGINEER

REV	DESCRIPTION	BY	DATE	CHK	DEPT	DATE	PE	REQ	DATE	ORNL	DOE	DATE
	REVISION OR ISSUE PURPOSE											

SCALE	DES	DRW	CHK	SECT	DEPT	PE	CR	PJ	REQ	PPPL	DRFT	VERSION NO.	PLANT	BLDG	FL	SHT	OF	TYPE	CLASS	
xx	xx	xx	xx	xx	xx	xx	xx	xx	xx	xx	xx	xx	xx	xx	xx	xx	xx	xx	xx	xx

UT-BATTELLE  
 Oak Ridge National Laboratory  
 managed for the DEPARTMENT OF ENERGY under  
 U.S. GOVERNMENT contract DE-AC05-00OR22725  
 UT-BATTELLE, LLC, Oak Ridge, Tennessee  
 PROJECT NAME: NATIONAL COMPACT STELLARATOR EXPERIMENT  
 CONDUCTOR MATERIAL TEST  
 TORSION FIXTURE  
 ASSEMBLY

PROJ. VERSION: d  
 RELEASE LEVEL: \*\*\*  
 DRAWING APPROVALS: DATE

LAYOUT-TORSION