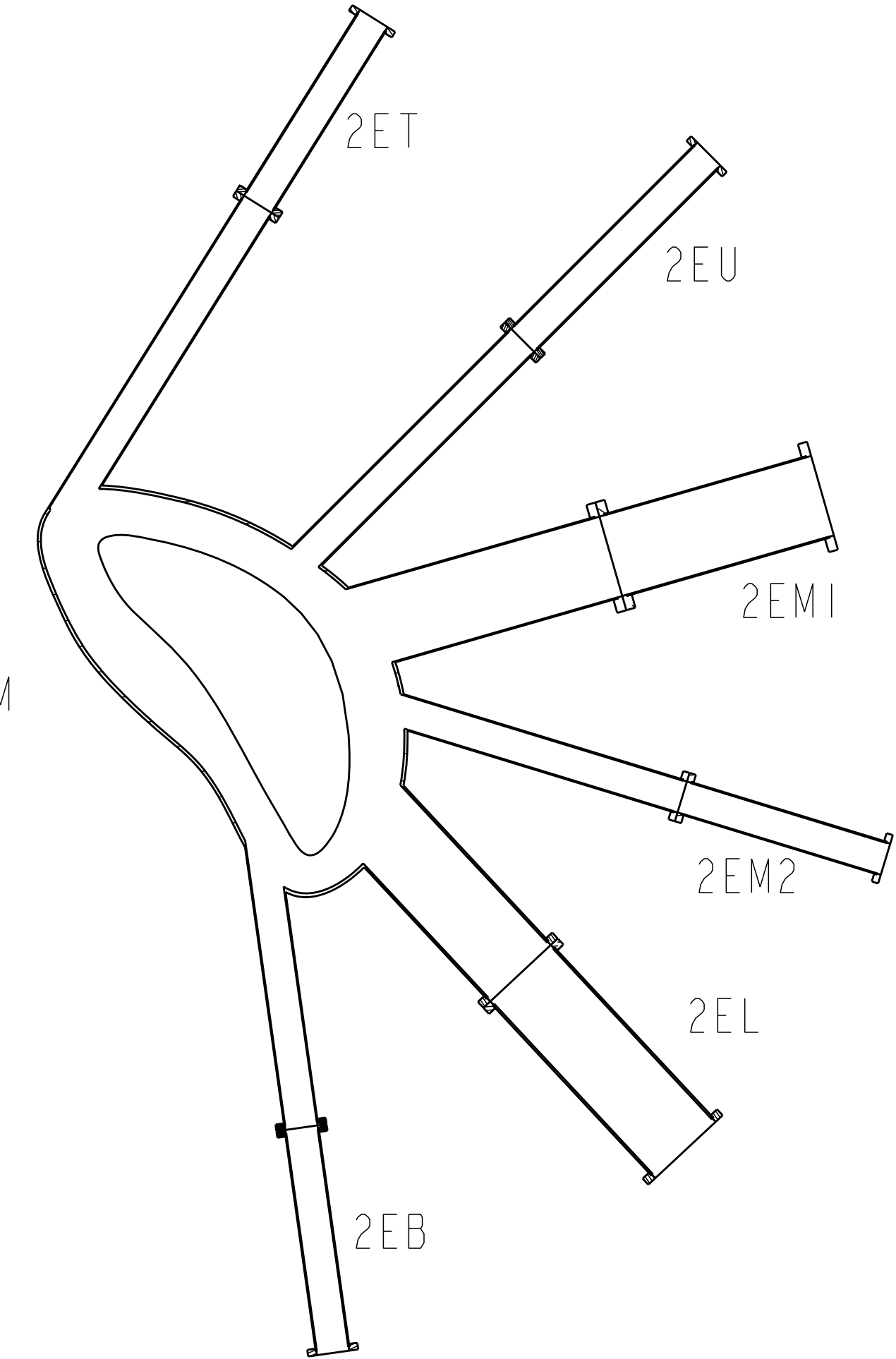
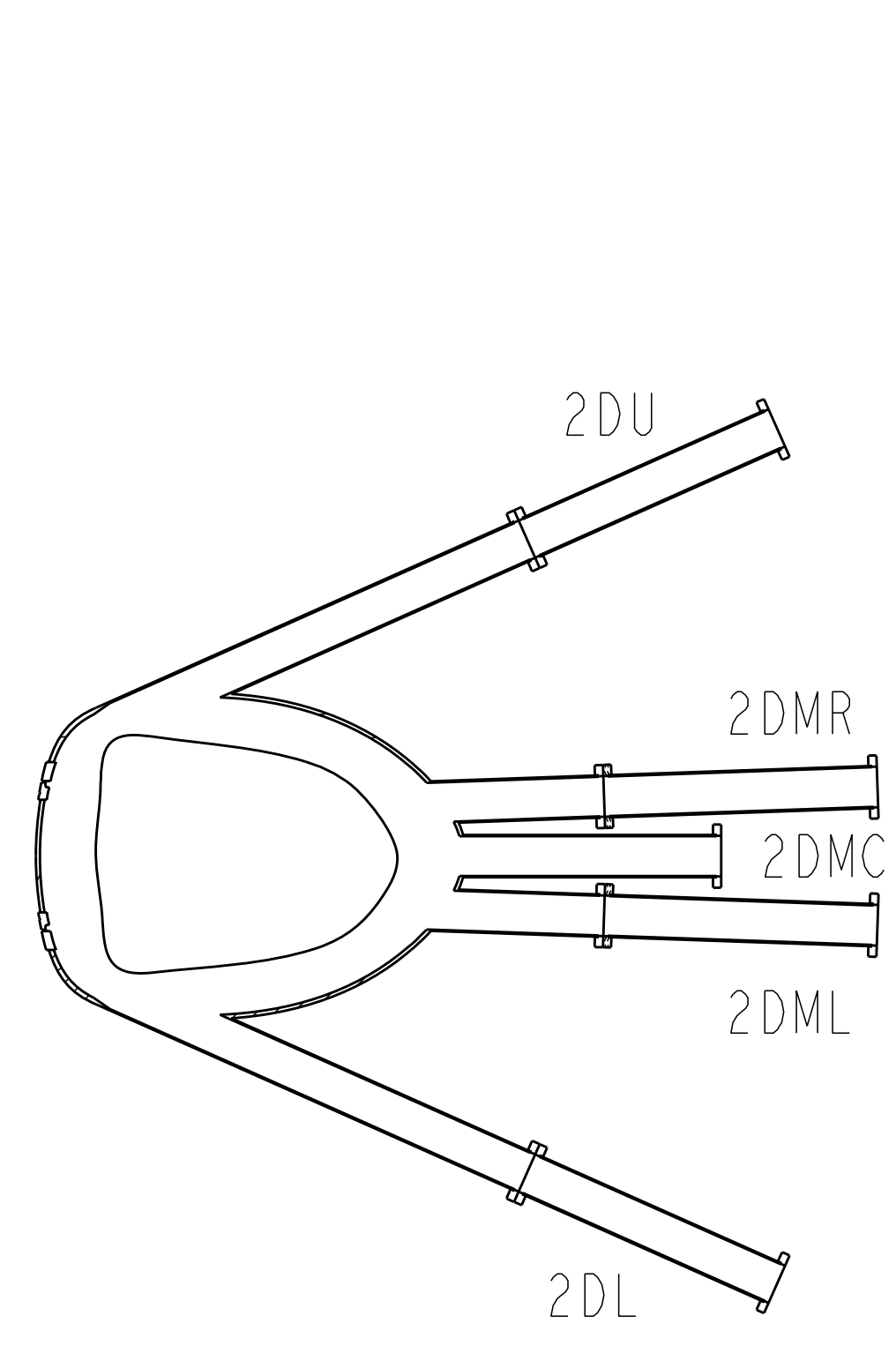


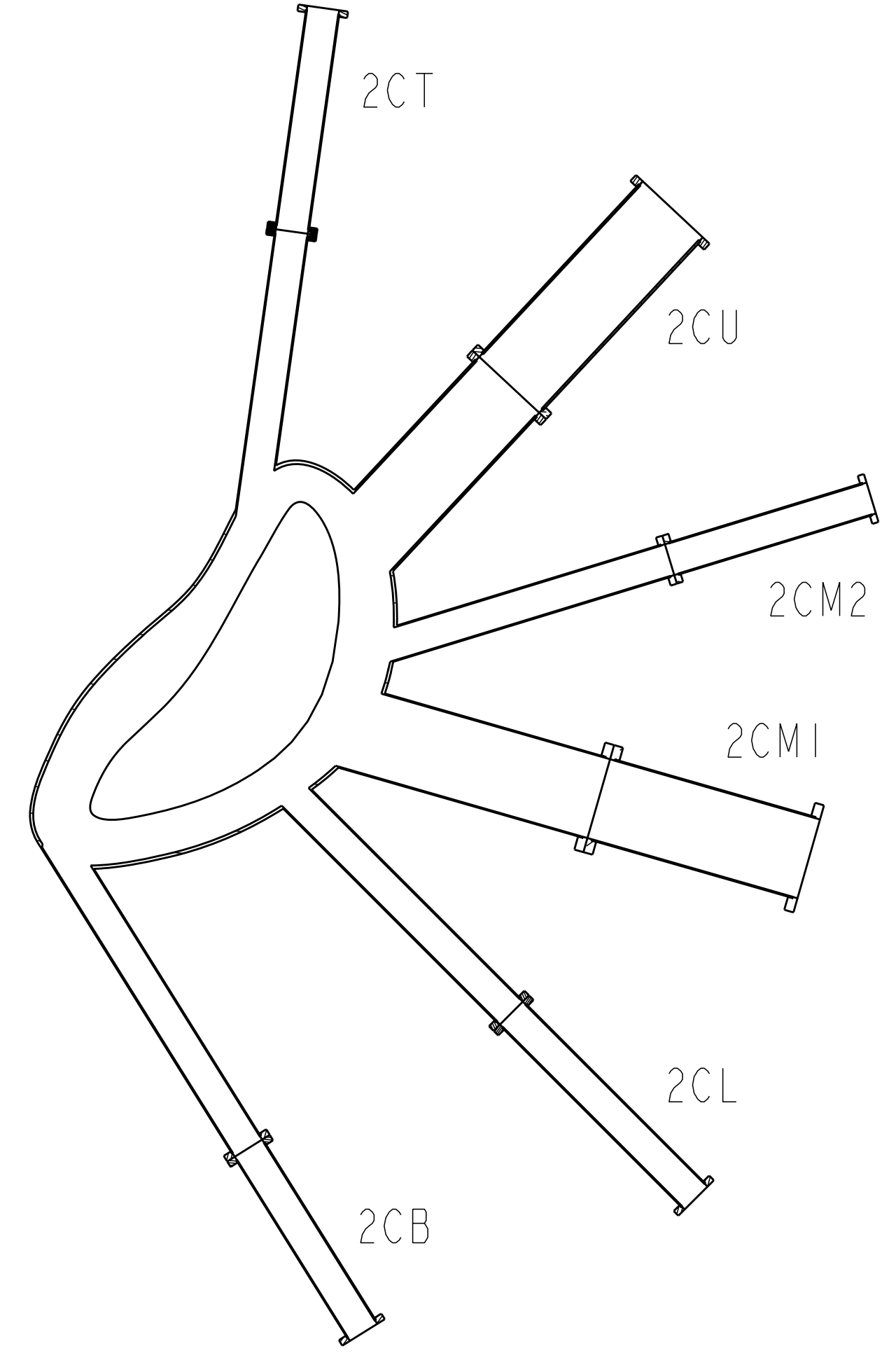
SECTION 2F  
 PORTS ROTATED INTO  
 PLANE OF SECTION



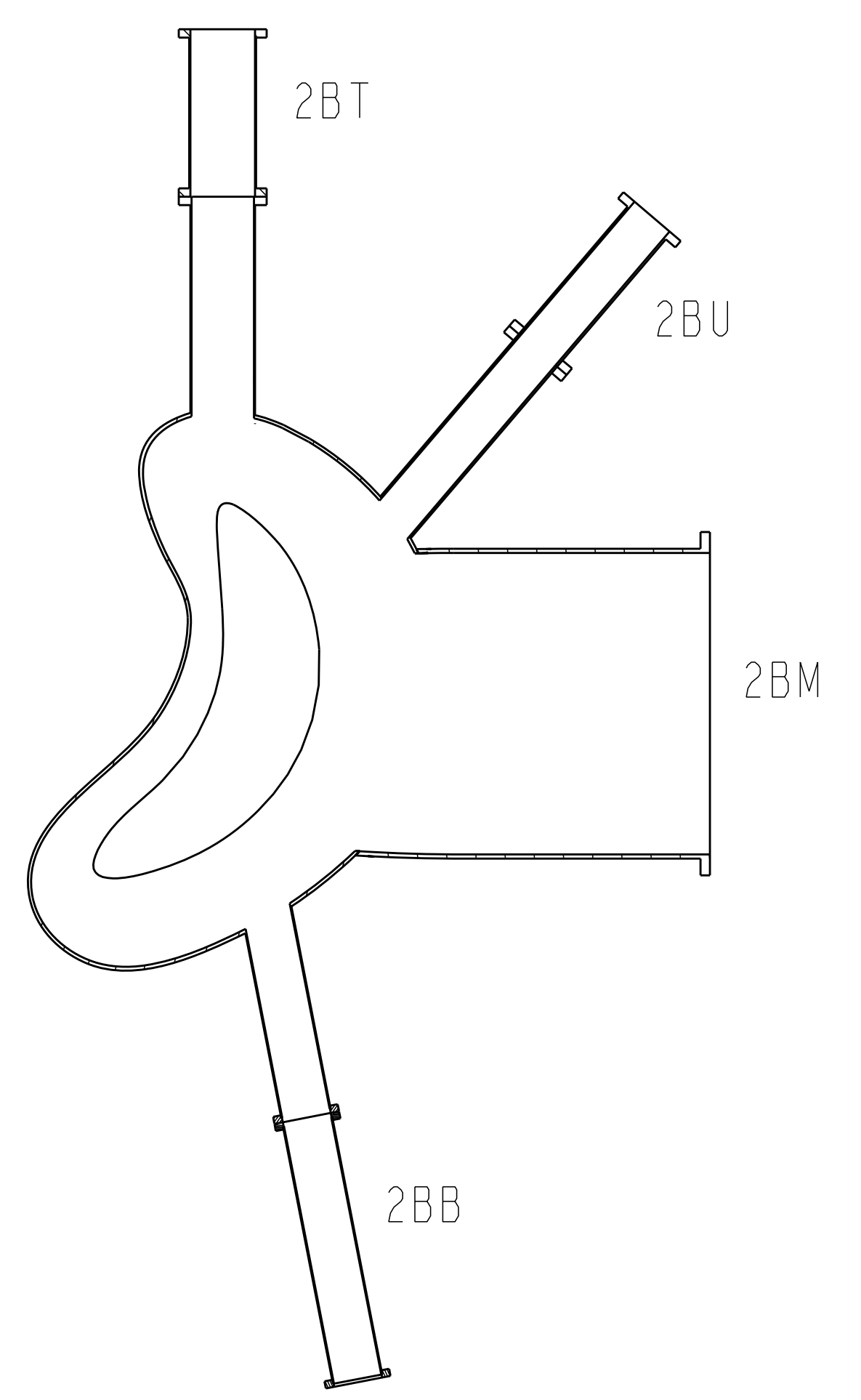
SECTION 2E  
 PORTS ROTATED INTO  
 PLANE OF SECTION



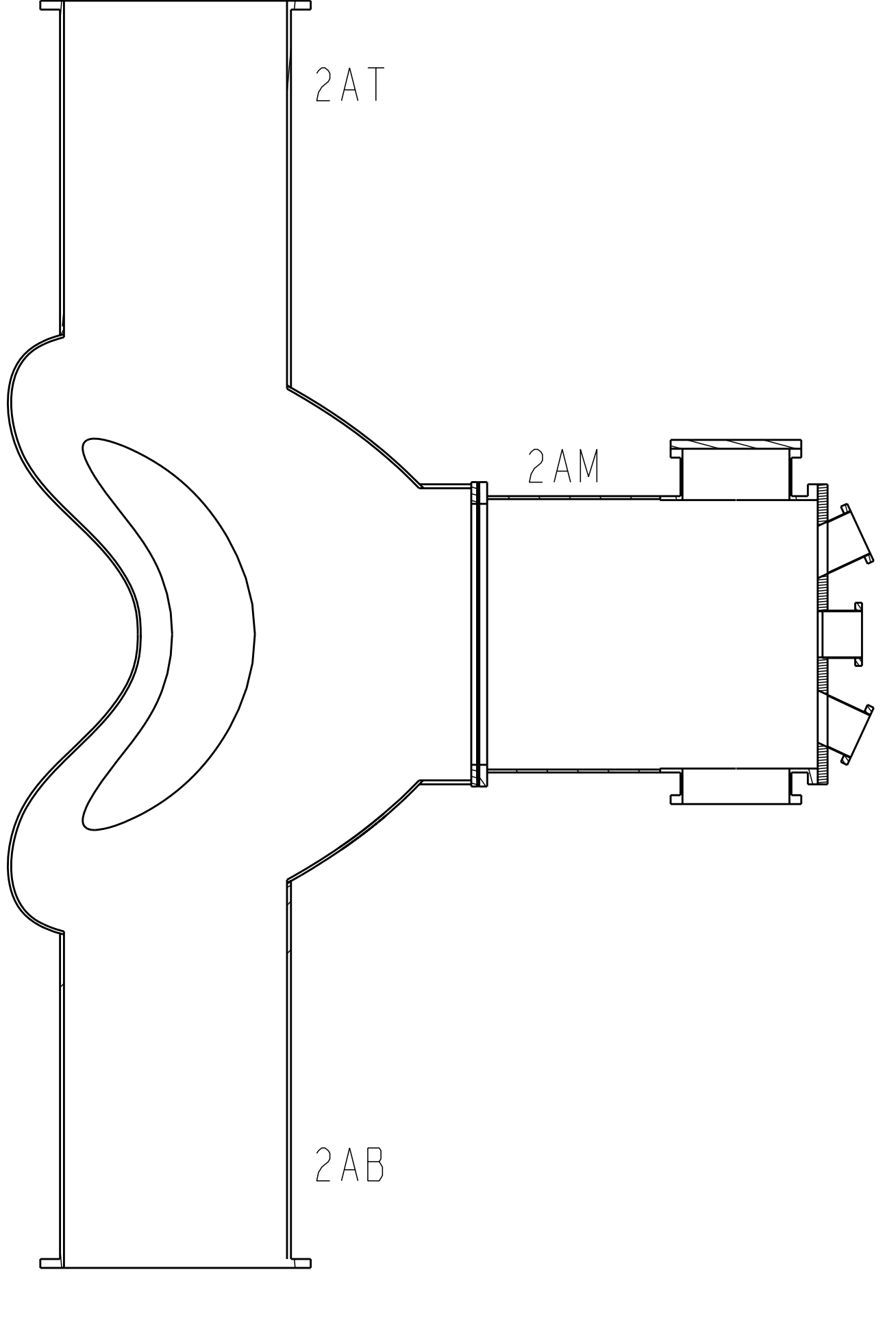
SECTION 2D  
 PORTS ROTATED INTO  
 PLANE OF SECTION



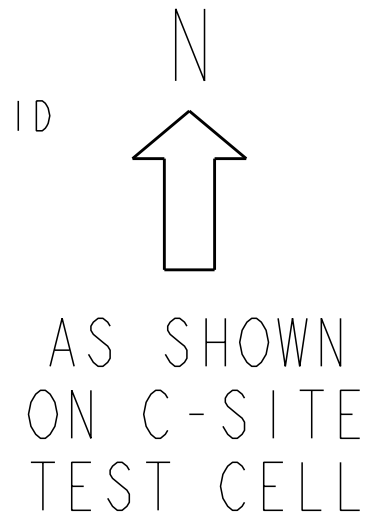
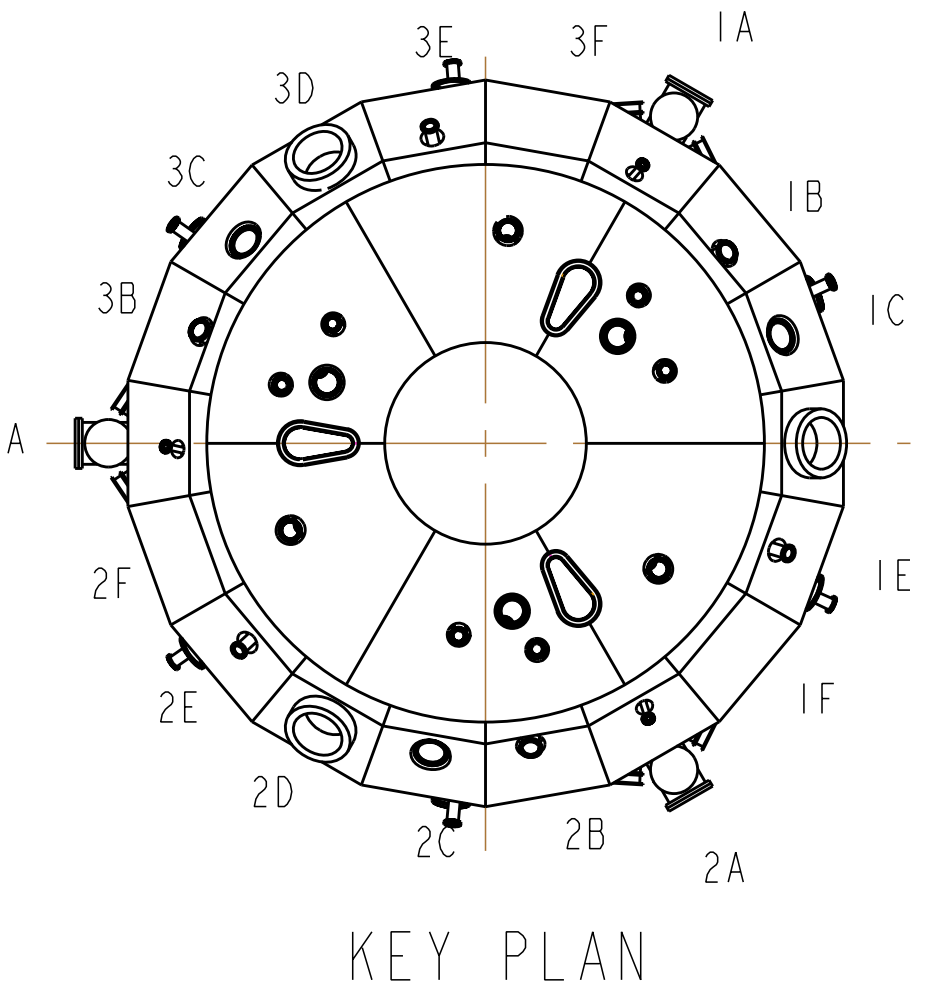
SECTION 2C  
 PORTS ROTATED INTO  
 PLANE OF SECTION



SECTION 2B  
 PORTS ROTATED INTO  
 PLANE OF SECTION



SECTION 2A  
 PORTS ROTATED INTO  
 PLANE OF SECTION



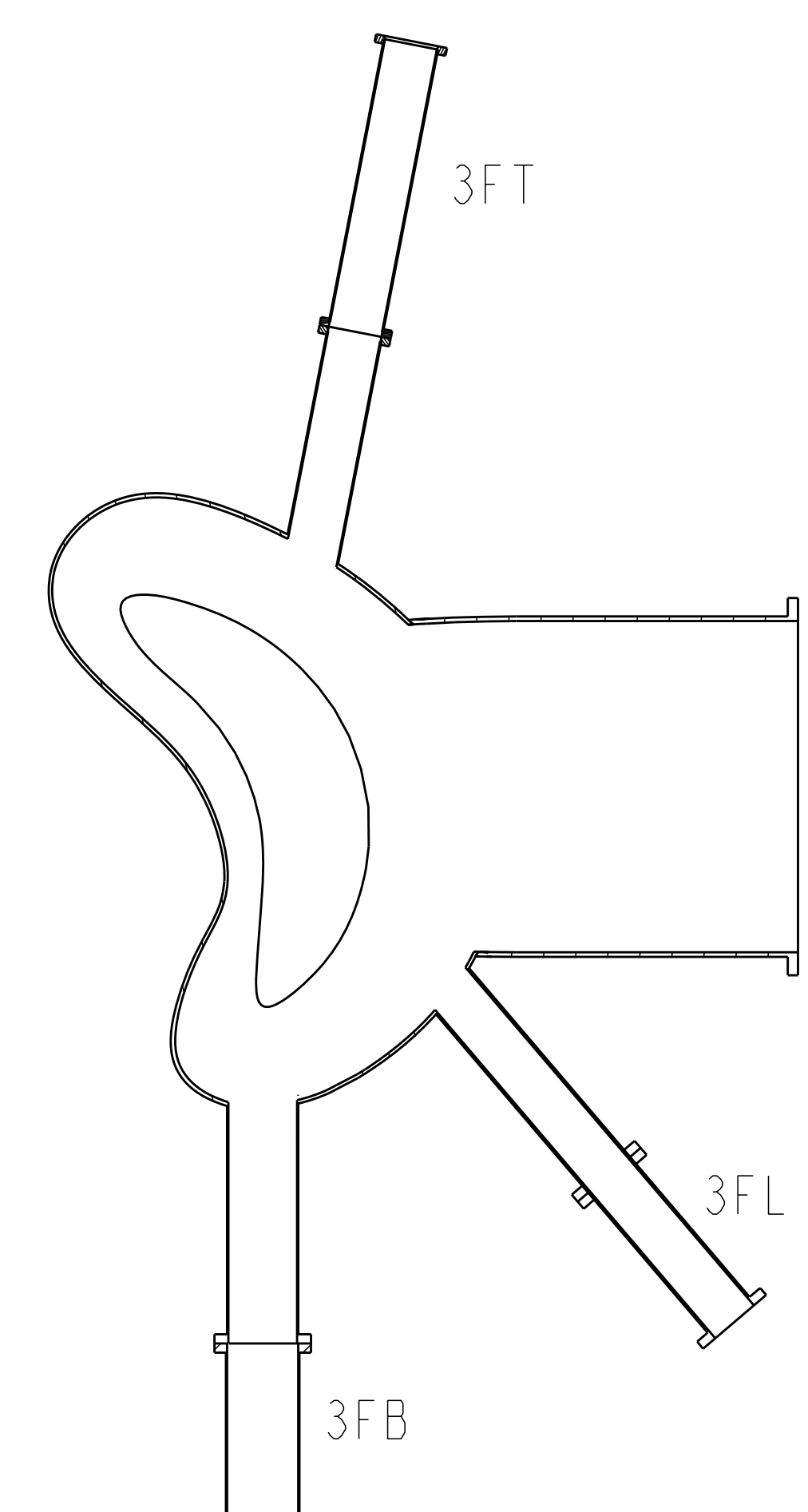
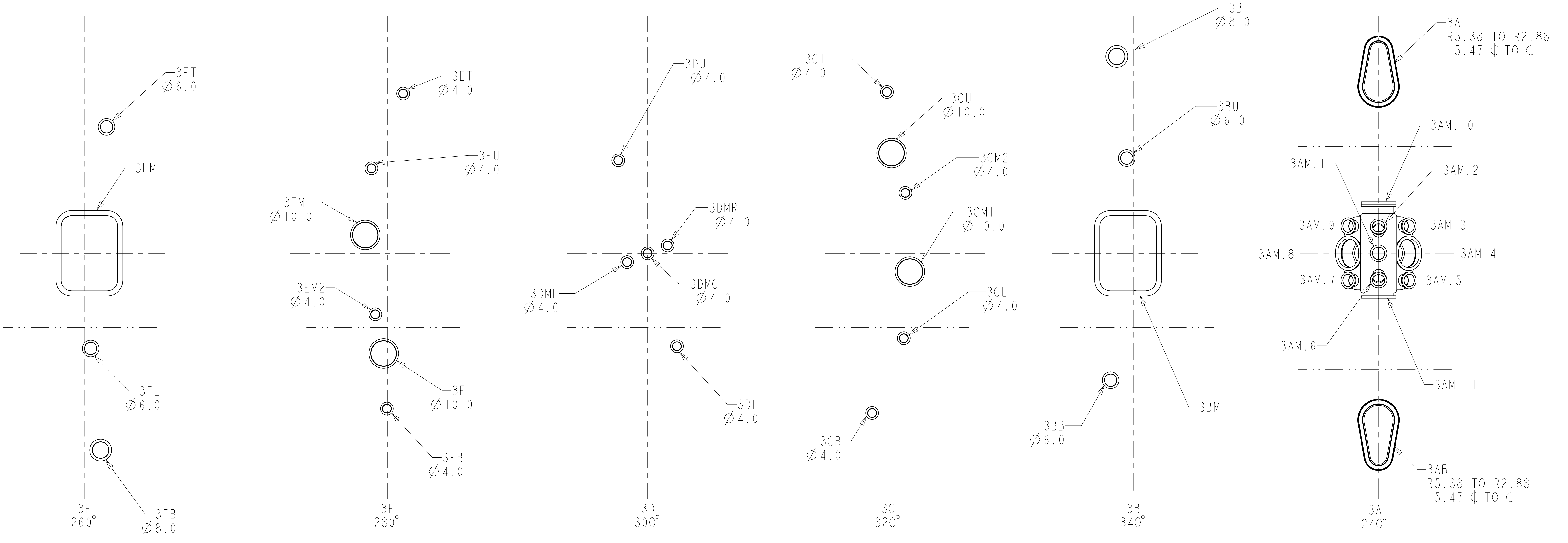
AS SHOWN  
 ON C-SITE  
 TEST CELL

KEY PLAN

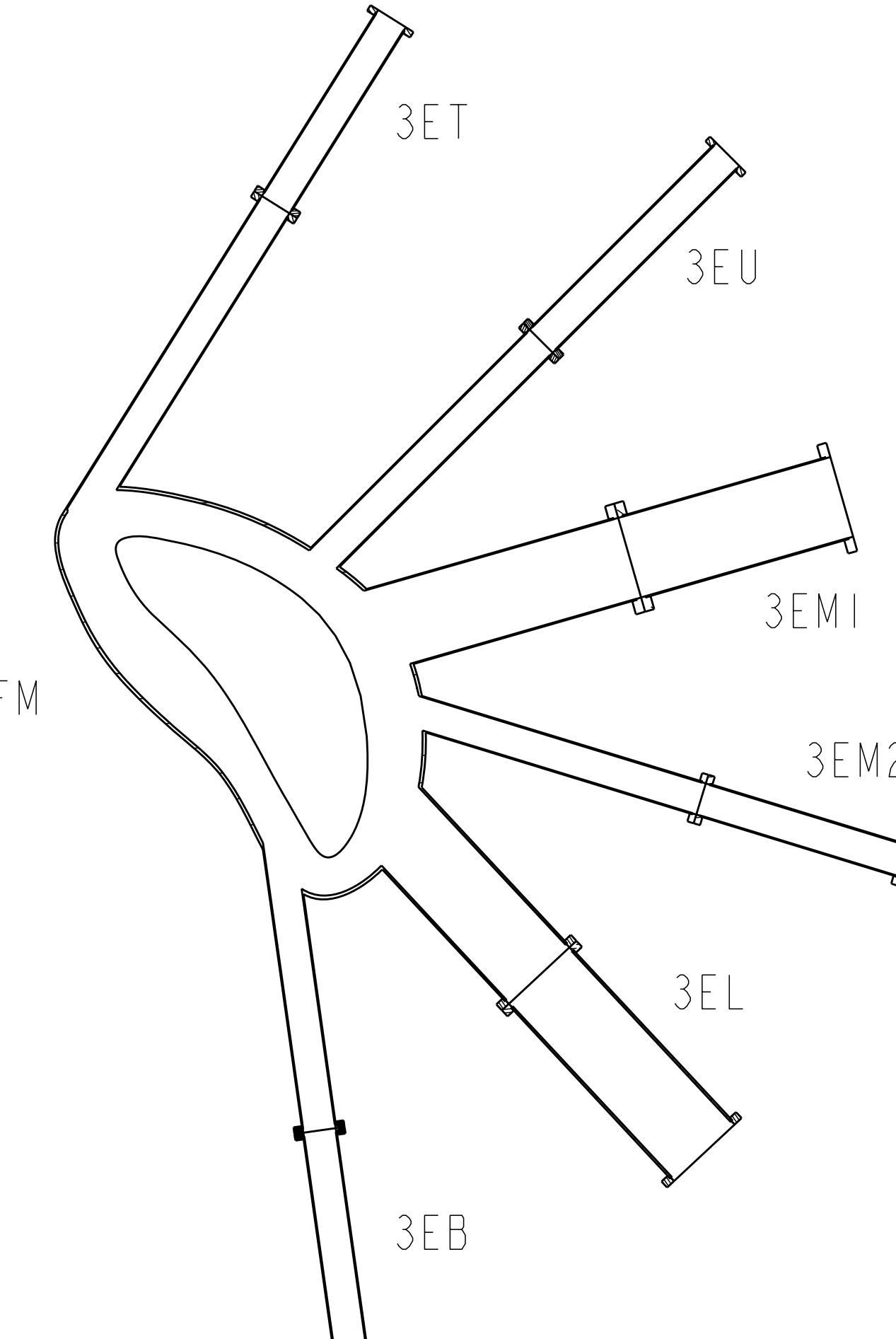
**DRAFT**

Oak Ridge National Laboratory managed for the DEPARTMENT OF ENERGY under U.S. GOVERNMENT contract DE-AC05-00OR22725 UT-BATTELLE, LLC, Oak Ridge, Tennessee						
NATIONAL COMPACT STELLERATOR EXPERIMENT						
DIAGNOSTICS PORT LOCATION MAP						
VERSION NO.	PLANT	BLDG	FL	SHT OF	TYPE	CLASS
proj_version	XX	XX	XX	2 3	S	U
RELEASE LEVEL	GHJ200-001					REV
proj_release						0

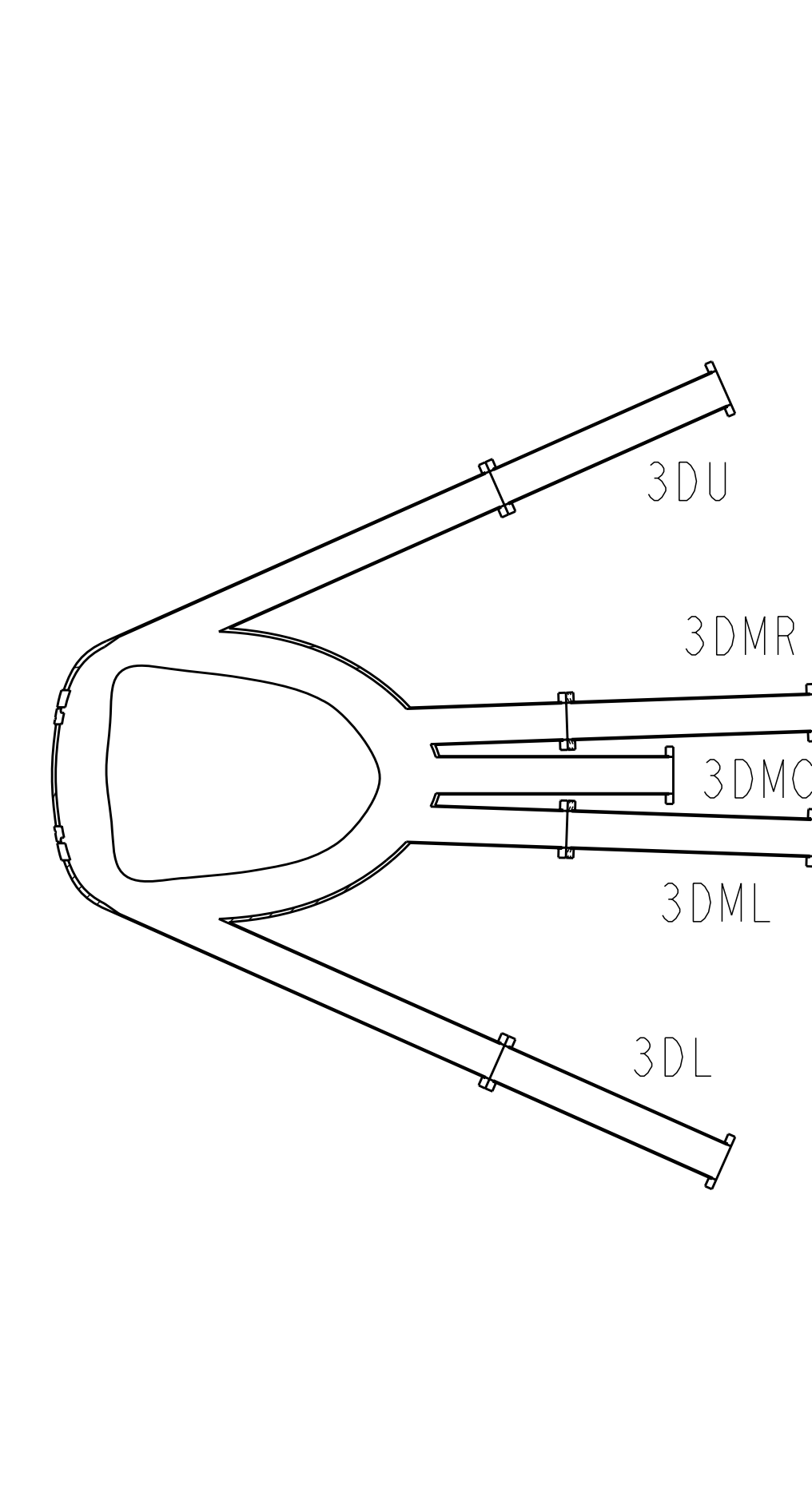
GHJ200-001



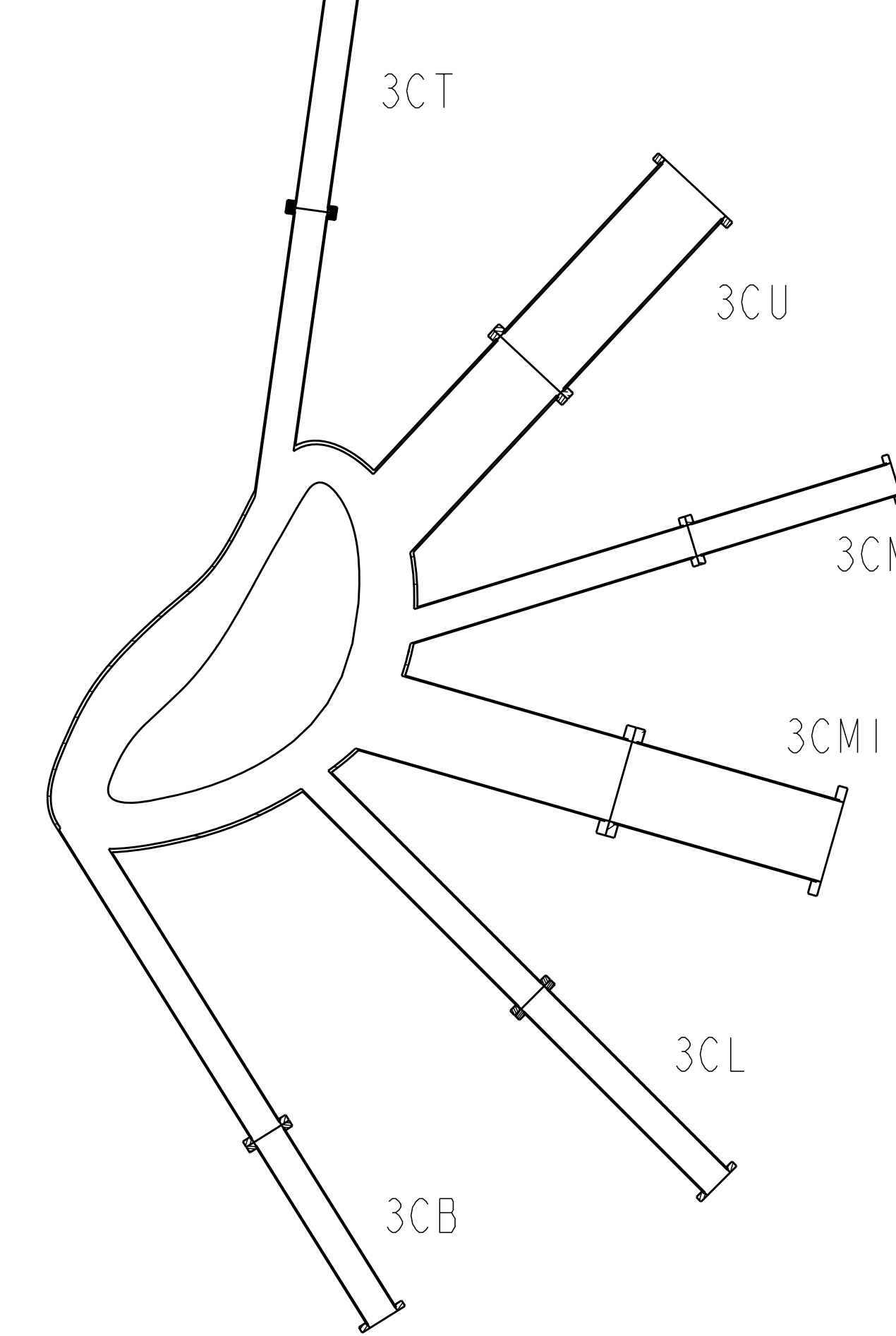
SECTION 3F  
 PORTS ROTATED INTO  
 PLANE OF SECTION



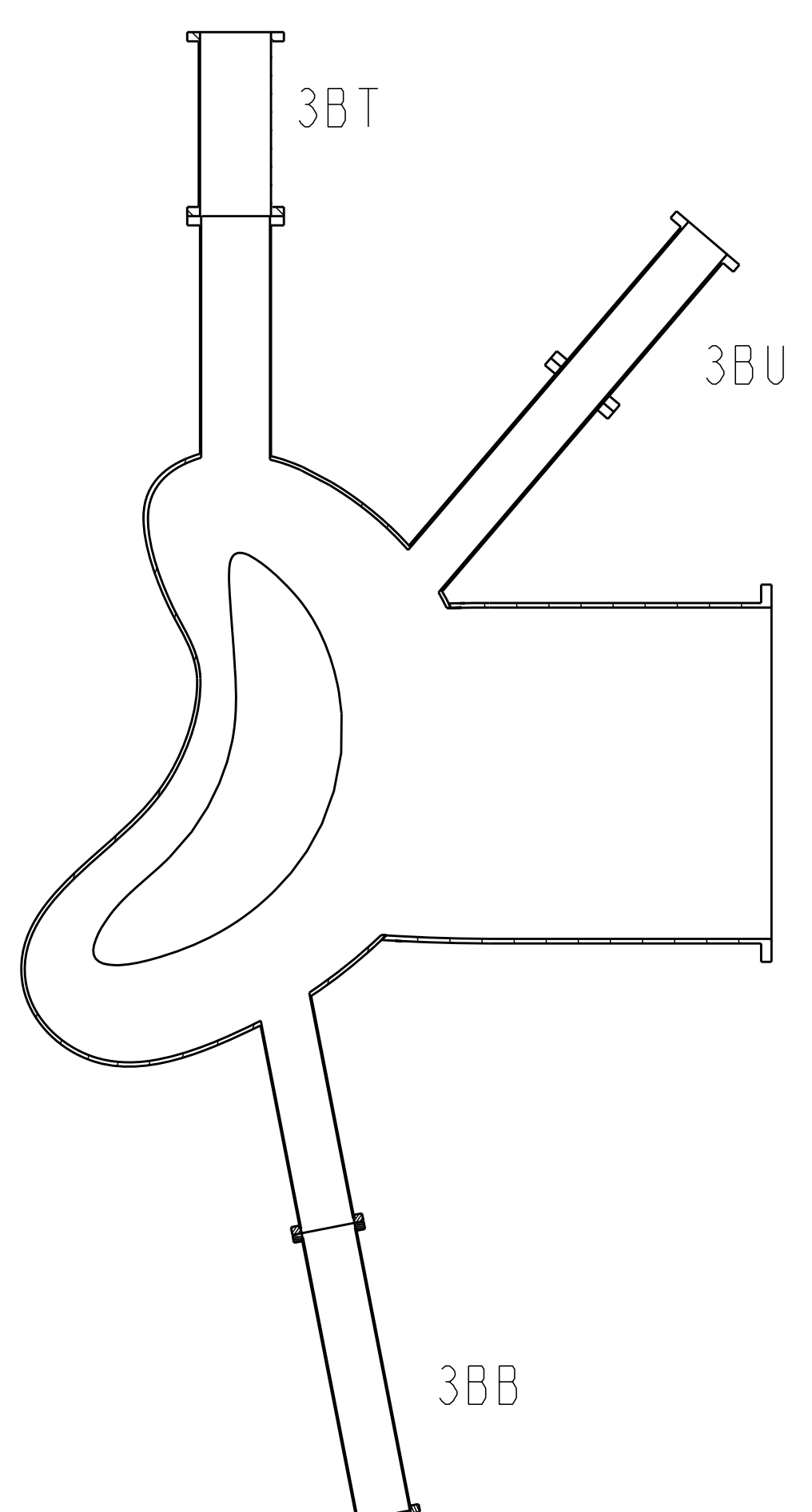
SECTION 3E  
 PORTS ROTATED INTO  
 PLANE OF SECTION



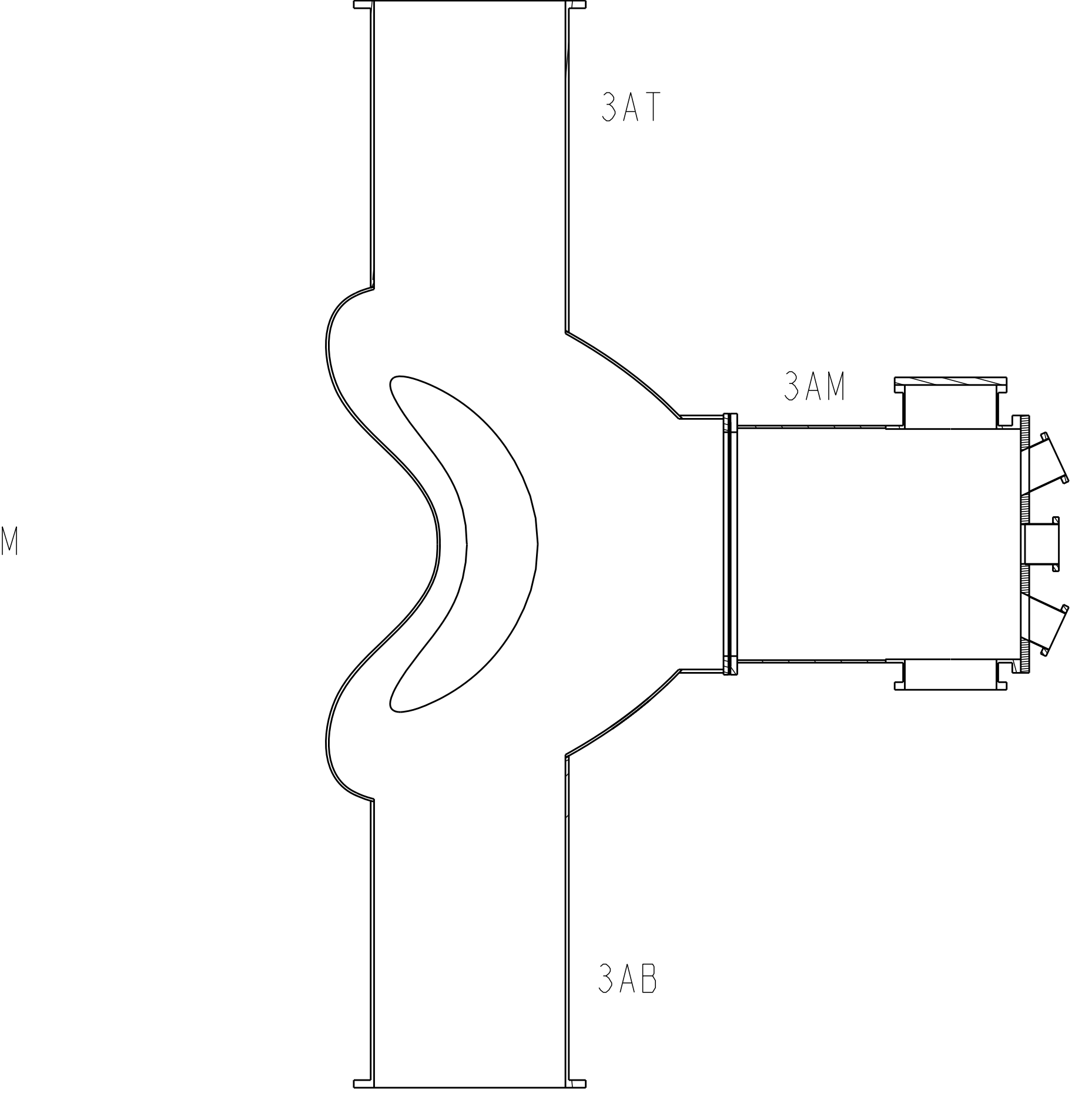
SECTION 3D  
 PORTS ROTATED INTO  
 PLANE OF SECTION



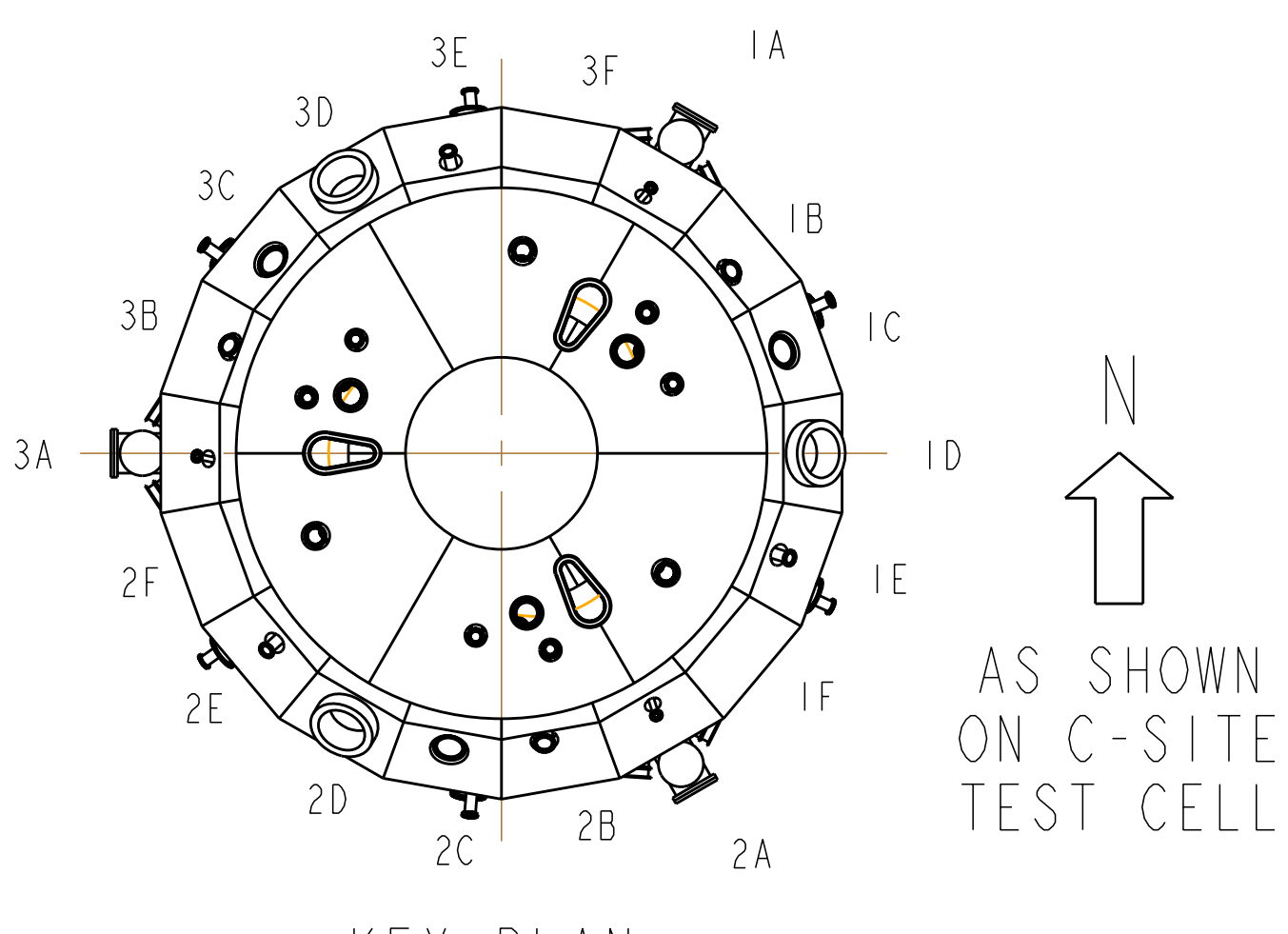
SECTION 3C  
 PORTS ROTATED INTO  
 PLANE OF SECTION



SECTION 3B  
 PORTS ROTATED INTO  
 PLANE OF SECTION



SECTION 3A  
 PORTS ROTATED INTO  
 PLANE OF SECTION



KEY PLAN

**DRAFT**

Oak Ridge National Laboratory managed for the DEPARTMENT OF ENERGY under U.S. GOVERNMENT contract DE-AC05-00OR22725 UT-BATTELLE, LLC. Oak Ridge, Tennessee PROJECT NAME:						
NATIONAL COMPACT STELLERATOR EXPERIMENT						
DIAGNOSTICS PORT LOCATION MAP						
VERSION NO. proj_version	PLANT XX	BLDG XX	FL XX	SHT OF 3	TYPE 3	CLASS S
RELEASE LEVEL proj_release						REV U
GHJ200-001						0

GHJ200-001