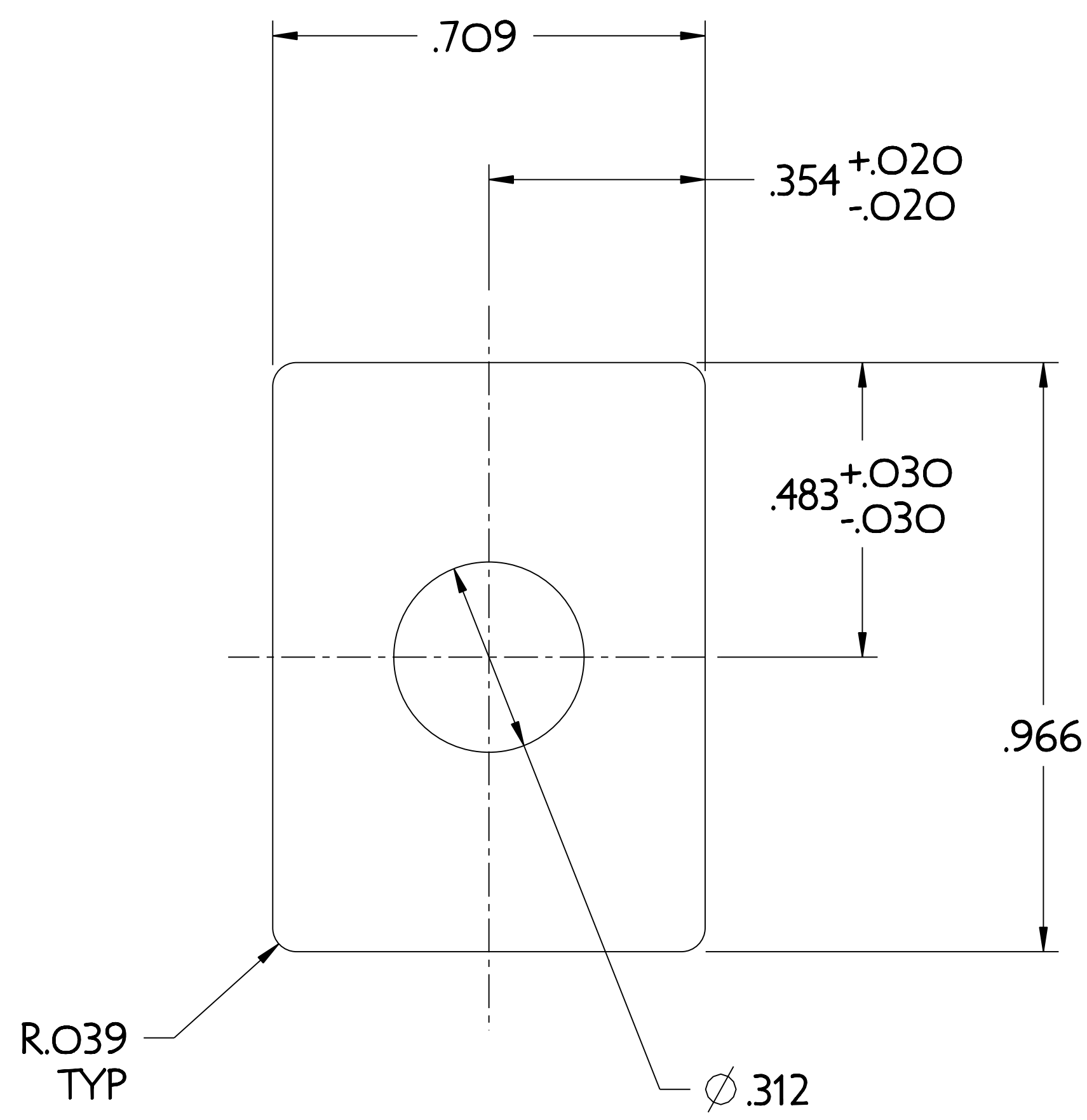


NO.	REVISION	BY	CH	SUP	APPROVED	DATE



NOTE
SEE SPECIFICATION # NCSX-CSPEC-131-02
FOR MATERIAL & PROPERTIES.

RELEASE LEVEL: WIP
DWG VERSION NO: 0+

DATE: 04/28/05
WELDING ENGINEER
APPVD: _____ DATE

1	SE131-014	TF COIL CONDUCTOR	SEE NOTES											
ITEM NO.	DRAWING NO	NOMENCLATURE OR DESCRIPTION	MATERIAL	QTY REQD										
PARTS LIST														
COMPUTER GENERATED DRAWING MANUAL CHANGES NOT PERMITTED	CENTRAL FILES: UNLESS OTHERWISE SPECIFIED	PRINCETON PLASMA PHYSICS LABORATORY PRINCETON UNIVERSITY NATIONAL COMPACT STELLARATOR EXPERIMENT STELLARATOR CORE CONVENTIONAL COILS TF COIL CONDUCTOR DETAIL												
Pro E	DIMENSIONS ARE IN INCHES MACHINE SURFACES $\sqrt{\text{V}}$													
DO NOT VERIFY INFORMATION BY SCALING DRAWING	BREAK SHARP EDGES .005/.020													
	TOLERANCES NON-CUMULATIVE	DIV: MECH. ENG.	DATE:											
<u>NEXT ASSEMBLY</u>	<table border="1"> <tr> <th>DECIMAL - INCH</th> <th>FRACTIONS</th> </tr> <tr> <td>.x .100</td> <td>0"-12" 1/16</td> </tr> <tr> <td>.xx .030</td> <td>12"-72" 1/8</td> </tr> <tr> <td>.xxx .005</td> <td>72"-120" 1/4</td> </tr> <tr> <td>ANGULAR 0°-15'</td> <td>OVER 120" 1/2</td> </tr> </table>	DECIMAL - INCH	FRACTIONS	.x .100	0"-12" 1/16	.xx .030	12"-72" 1/8	.xxx .005	72"-120" 1/4	ANGULAR 0°-15'	OVER 120" 1/2	ENG: M. KALISH	<u>APPROVED</u>	SE131-014
DECIMAL - INCH	FRACTIONS													
.x .100	0"-12" 1/16													
.xx .030	12"-72" 1/8													
.xxx .005	72"-120" 1/4													
ANGULAR 0°-15'	OVER 120" 1/2													
		DSN: J. RUSHINSKI												
		CHK:	CHK SUPV	SHEET 1 OF 1 REV 0										

EMI